

COGNEX

DataMan[®] 8600

Quick Reference Guide

8/24/2015
Version 5.4.3

Legal Notices

The software described in this document is furnished under license, and may be used or copied only in accordance with the terms of such license and with the inclusion of the copyright notice shown on this page. Neither the software, this document, nor any copies thereof may be provided to, or otherwise made available to, anyone other than the licensee. Title to, and ownership of, this software remains with Cognex Corporation or its licensor. Cognex Corporation assumes no responsibility for the use or reliability of its software on equipment that is not supplied by Cognex Corporation. Cognex Corporation makes no warranties, either express or implied, regarding the described software, its merchantability, non-infringement or its fitness for any particular purpose.

The information in this document is subject to change without notice and should not be construed as a commitment by Cognex Corporation. Cognex Corporation is not responsible for any errors that may be present in either this document or the associated software.

Companies, names, and data used in examples herein are fictitious unless otherwise noted. No part of this document may be reproduced or transmitted in any form or by any means, electronic or mechanical, for any purpose, nor transferred to any other media or language without the written permission of Cognex Corporation.

Copyright © 2014. Cognex Corporation. All Rights Reserved.

Portions of the hardware and software provided by Cognex may be covered by one or more U.S. and foreign patents, as well as pending U.S. and foreign patents listed on the Cognex web site at: <http://www.cognex.com/patents>.

The following are registered trademarks of Cognex Corporation:

Cognex, 2DMAX, Advantage, Alignplus, Assemblyplus, Check it with Checker, Checker, Cognex Vision for Industry, Cognex VSOC, CVL, DataMan, DisplayInspect, DVT, EasyBuilder, Hotbars, IDMax, In-Sight, Laser Killer, MVS-8000, OmniView, PatFind, PatFlex, PatInspect, PatMax, PatQuick, SensorView, SmartView, SmartAdvisor, SmartLearn, UltraLight, Vision Solutions, VisionPro, VisionView

The following are trademarks of Cognex Corporation:

The Cognex logo, 1DMax, 3D-Locate, 3DMax, BGAll, CheckPoint, Cognex VSoC, CVC-1000, FFD, iLearn, In-Sight (design insignia with cross-hairs), In-Sight 2000, InspectEdge, Inspection Designer, MVS, NotchMax, OCRMax, PatMax RedLine, ProofRead, SmartSync, ProfilePlus, SmartDisplay, SmartSystem, SMD4, VisiFlex, Xpand

Other product and company trademarks identified herein are the trademarks of their respective owners.


Table of Contents


Legal Notices	2
Table of Contents	3
Symbols	5
Getting Started	6
About DataMan 8600	6
DataMan 8600 Accessories	7
Physical Layout of the Reader	9
Physical Layout of the Base Station	11
DMA-IBASE-01	11
DMA-IBASE-BT-XX	12
Setting Up Your DataMan 8600	13
Overview of Setting Up the Reader	13
Install the DataMan SetupTool	14
DataMan 8600 Imager Specifications	15
DataMan 8600 Specifications	15
DataMan Base Station Specifications	15
Connection Options	16
Connecting a DataMan 8600 Through Ethernet	16
Troubleshooting an Ethernet Connection	17
Connecting a DataMan 8600 Through RS-232	17
Connecting a DataMan 8600 Through USB	19
Using Your Device Through USB	20
Using DataMan 8600 Wireless Readers	21
Connecting to a Wireless DataMan 8600 Through a Base Station	21
Pairing Strategy (DMA-IBASE-BT-XX)	25
Base Station Routing Capabilities	26
Ad-hoc Mode	27
Infrastructure Mode	27
Wireless Reader: Buffering Data	28
Summary of Wireless Buffering Indicators	30
Wireless Reader: Charging	30
Wireless Reader: Changing Batteries	32
Reading Codes with the DataMan 8600	35
Industrial Protocols	35
Trigger Types	36
Field of View and Reading Distances	36
Map of Field of View and Reading Distances	36
Compliance Information, Warnings and Notices	37
Laser Information	37
Agency Compliance Statements	37
Agency Compliance Statements: DataMan Base Station	41
Reader Control Codes	44
Keyboard Language (Corded Readers Only)	44


Precautions 45


Symbols

The following symbols indicate safety precautions and supplemental information.

 **WARNING:** This symbol indicates the presence of a hazard that could result in death, serious personal injury or electrical shock.

 **CAUTION:** This symbol indicates the presence of a hazard that could result in property damage.

 **Note:** Notes provide supplemental information about a subject.

 **Tip:** Tips provide helpful suggestions and shortcuts that may not otherwise be apparent.

Getting Started

This section provides general information about the DataMan 8600 readers and the DataMan 8000 series base stations. You can also find information on the DataMan 8600 accessories and the physical layout of the reader and the base stations in this section.

About DataMan 8600



The DataMan 8600 readers offer the industry's most advanced technology for reading 1D and 2D codes regardless of size, quality, printing method or surface, and belong to the only industrial handheld ID reader family that offers Industrial Ethernet communication. DataMan 8600 is available with patented 1DMax+ with Hotbars, class-leading 2-D algorithms and future-proof modular communication slide-ins.

The DataMan 8600 readers use Cognex's patented UltraLight® technology and 2DMax+ algorithms to read the most challenging Direct Part Mark barcodes. UltraLight® illumination provides flexible lighting control to create dark field, bright field and diffuse lighting. Additionally, DataMan 8600 features a tuning button for easy configuration and extended read attempts.

The DataMan 8600 readers are available with the following communication options:

- Ethernet
- USB
- RS-232
- Bluetooth
- WiFi

An intelligent base station is also provided when the DataMan 8600 reader uses the wireless (Bluetooth or WiFi) communication module. The base station acts as a router between the reader and your computer or network. Infrastructure Mode does not use the base station for communication. (See [Infrastructure Mode](#).)








Note: Henceforward, the term 'wireless' refers in this document to the WiFi or to the Bluetooth communication module of the reader.

The DataMan 8000 series base stations are available with the following communication options:


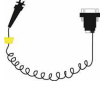
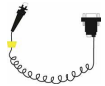






	Base Station Communication			Wireless Protocol	
	Ethernet with Industrial Protocols	USB	RS-232	Bluetooth	WiFi
DMA-CBASE-01		√			
DMA-IBASE-BT-01		√	√	√	
DMA-IBASE-BT-02	√	√	√	√	
DMA-IBASE-01	√	√	√		√

DataMan 8600 Accessories

	Serial/USB slide-in DMCM-SERIALM-00		Ethernet slide-in DMCM-ENETM-00
	Bluetooth slide-in DMCM-BTM-00		Wireless slide-in DMCM-WLESSM-00
	Charging Base Station DMA-CBASE-01		Intelligent Bluetooth Base Station DMA-IBASE-BT-01
	Intelligent Bluetooth Base Station DMA-IBASE-BT-02		Intelligent Base Station DMA-IBASE-01
	Power Supply for base station DMA-24VPWR-xx		Power Supply for reader DM100-PWR-00
	Battery for the wireless reader DMA-HHBATTERY-01		Multi-Battery Charger DMA-MBC-xx
	POE Adapter CPS-24V-POE1		POE Adapter CPS-24V-POE4

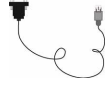
	Wall Mount DMA-WALL-8000-00		Wall Mount for Base Station DMA-IBASE-WALL-00
	POE Adapter CPS-AC-POE1A-xx		Stand DM-STAND-00
	Rubber sleeve DM8000-SLEEVE-00		

DataMan 8600 Reader Cables

	RS-232 coiled cable for reader, 2.5 m DM8000-RS232-02		RS-232 coiled cable for reader, 5 m DM8000-RS232-05
	RS-232 industrial cable for reader, 2.5 m DM8000-RS232IND-02		USB cable, 2.5 m DM8500-USB-00
	USB coiled cable, 2.5 m DM8500-USBC-02		Ethernet Coiled cable, 5m DM8000-ECABLEC-05*
	Ethernet cable, 2.5 m DM8000-ECABLE-02		Ethernet cable, 5 m DM8000-ECABLE-05
	Ethernet cable, 30 m DM8000-ECABLE-30		

* Collimated cable length including DM8000-ECABLE-X should not exceed 50 m.

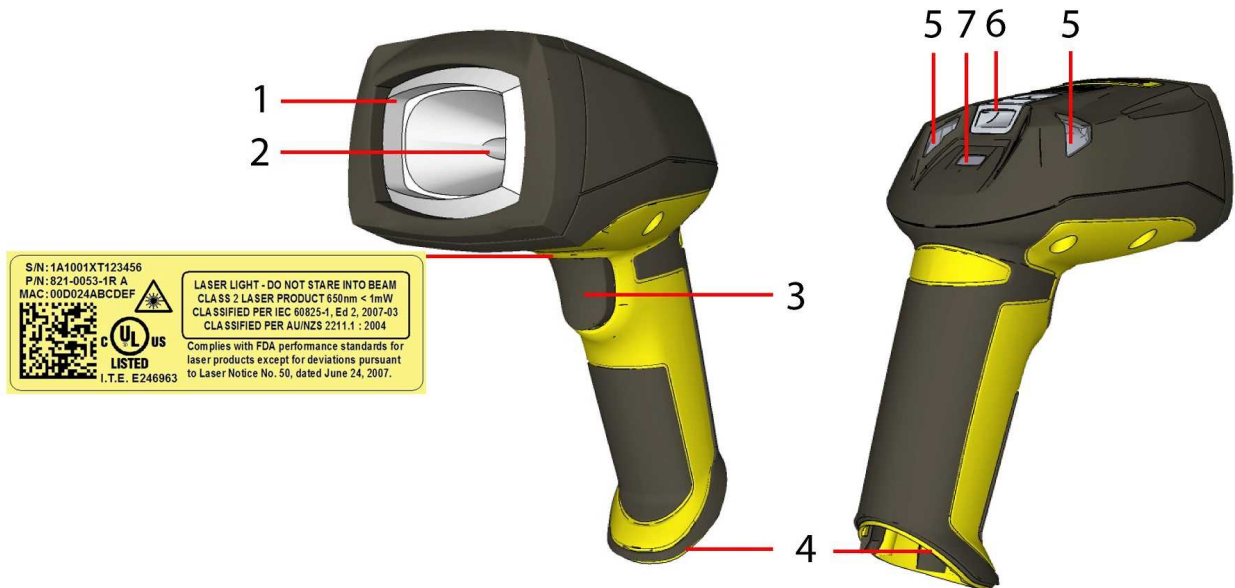
DataMan Base Station Cables

	RJ25 (RJ12) to DSUB9 cable for base station, 5 m DMA-RS232RJ-05
---	--

- USB cable for base station: Use any standard USB-A to USB-B 2.0 cable up to 3 meters.
- Ethernet cable for base station: Use any standard CAT5/5e, SF/FTP or S/FTP cable.
- DMA-USB-00: Straight 10ft USB cable.

Physical Layout of the Reader

WARNING: LASER LIGHT, DO NOT STARE INTO BEAM



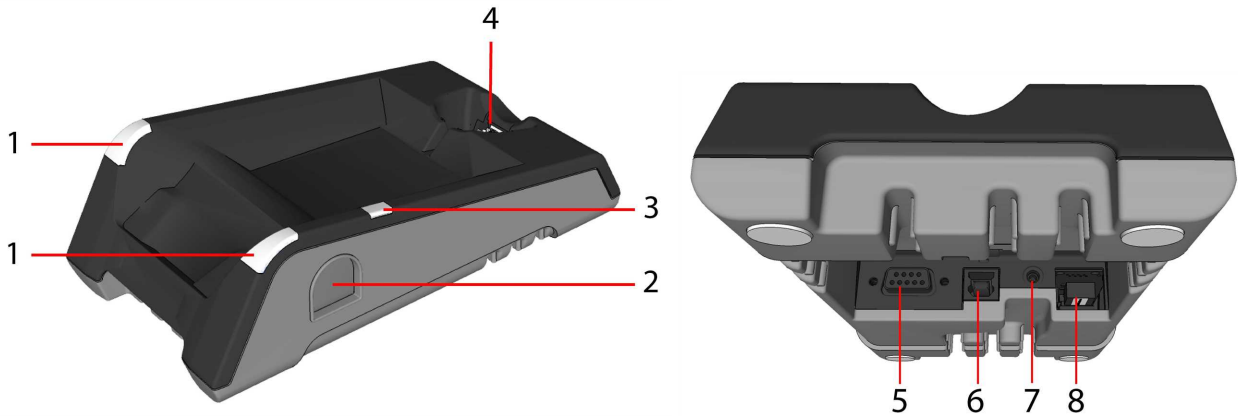
1	UltraLight
2	Laser aimer
3	Trigger (press and hold to read)
4	Communication module insertion point
5	Indicator light
6	Lanyard hook
7	Extended Read Attempts button

The Extended Read Attempts button of the DataMan 8600 acts as an optical button to arm the reader for predefined actions.



Physical Layout of the Base Station

DMA-IBASE-01

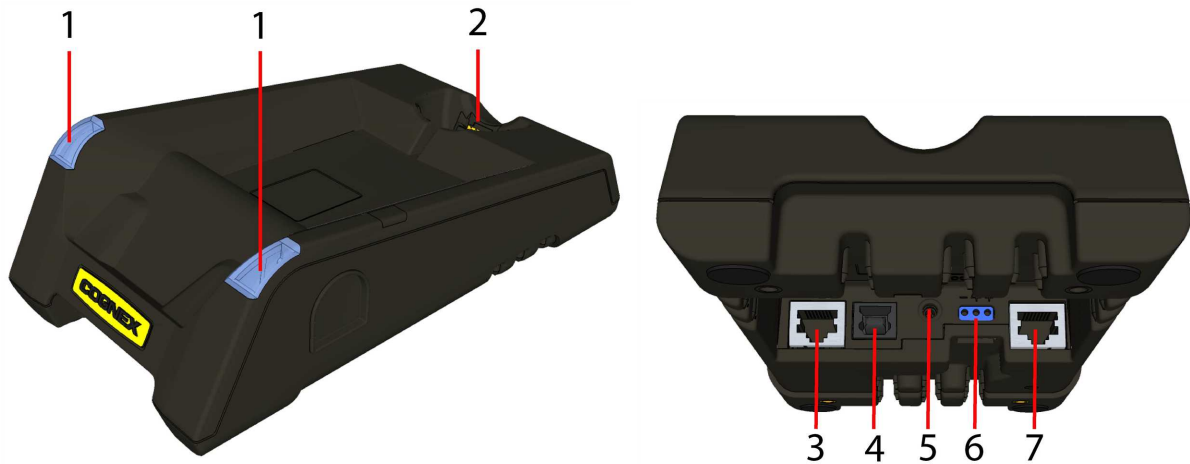


1	Base station status indicators
2	Spare battery charger
3	Spare battery charger status indicator
4	Connection point with the reader: <ul style="list-style-type: none"> • pairing reader and base station • non-wireless communication • charging
5	RS-232
6	USB
7	Power plug (24V, max. 13W)
8	Ethernet (with optional Class 3 PoE power)

Base station status indicators:

- Power: RED = base powered / BLINK = wrong reader in base
- Communication: BLUE = Wireless link / BLINK = Wireless communication
- Cradle connections: GREEN = reader properly inserted / BLINK = cradle USB interface communication

DMA-IBASE-BT-XX



1	Base station status indicators
2	Connection point with the reader: <ul style="list-style-type: none"> • pairing reader and base station • non-wireless communication • charging
3	RS-232
4	USB
5	Power plug (24V, max. 15W)
6	Alternative power supply connector (24V, max. 15W, polarity marked on the plastic part near the connector) Recommended wire diameter is 14-18 AWG
7	Ethernet

Base station status indicators:

- Power: RED = base powered / BLINK = wrong reader in base
- Communication: BLUE = Wireless link / BLINK = Wireless communication
- Cradle connections: GREEN = reader properly inserted / BLINK = cradle USB interface communication

Note:

- DMA-IBASE-BT-01 does not support Ethernet
- DMA-IBASE-BT-02 does support Ethernet

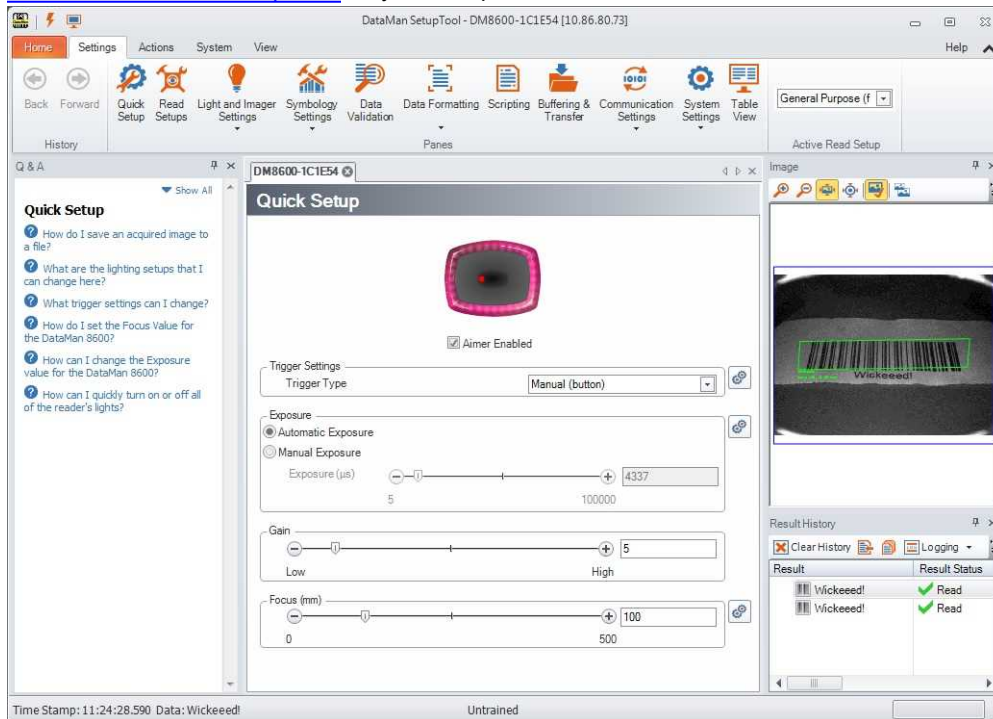
Setting Up Your DataMan 8600

This section provides information on how to set up and start working with your DataMan 8600 reader. It also describes how to install the DataMan Setup Tool and at the end of the section, you will find the DataMan 8600 and DataMan 8000 series base station specifications.

Overview of Setting Up the Reader

To be able to connect to your reader or base station on your computer, you must perform the following steps:

1. [Install the DataMan Setup Tool](#) on your computer.



2. Select the connection type: Ethernet, Serial, or USB; and connect the appropriate cabling.



Ethernet



RS-232



USB

3. Power on your device(s).

Install the DataMan SetupTool

1. Check the DataMan **Release Notes** for a full list of system requirements.
2. Download the DataMan Setup Tool from <http://www.cognex.com/support/dataman> and follow the on-screen steps.
3. Connect the DataMan 8600 to your PC.
4. Launch the DataMan Setup Tool and click **Refresh**. The reader or the base station appears under **COM ports** or **Network devices**.
5. Select a **COM port** or a **Network device** and click **Connect**.



Device Icon	Device ID	Device Name	Device Address
	DM8050-1B51C2	DM8050	10.86.80.87
	DM8050-1BF572	DM8050	10.86.80.101
	DM8500-12E4E6	DM8500	10.86.80.82
	DM8600-1349A4	DM8600	10.86.80.76
	DM8600-1C1BF6	DM8600	10.86.80.52
	DM8600-1C1E54	DM8600	COM1
	DM8000BaseBT-1D0B20	DM8000BaseBT	10.86.80.79
	DM8000BaseBT-1D0DB6	DM8000BaseBT	10.86.80.91

DataMan 8600 Imager Specifications

Specification	DataMan 8600 Imager
Image Sensor	1/1.8 inch CMOS
Image Sensor Properties	5.3 μ m square pixels
Image Resolution (Pixels)	1280 x 1024

DataMan 8600 Specifications

Weight	303 g (without slide-in), 345 g (with tethered slide-in)
Operating Temperature	0°C — 45°C (32°F — 113°F)
Storage Temperature	DataMan 8600 wireless: -10°C — 45°C (14°F — 113°F), DataMan 8600 tethered: -40°C — 60°C (-40°F — 140°F)
Maximum Humidity	95% (non-condensing)
Codes	Data Matrix™; QR Code and microQR Code; UPC/EAN/JAN; Codabar, Interleaved 2 of 5, Code 39, Code 128, and Code 93, Pharma, Postal, RSS/CS, PDF 417, MicroPDF 417
Power Supply Requirements	USB: external 5.0 W maximum LPS or NEC class 2 power supply: +5V - +6V DC RS232 external 5.0W max LPS or NEC class 2 power supply +5.50V - +6.0V DC (5.0m RS-232 cable) +4.75V - +6.0V DC (2.5m RS-232 cable) ETH: Class 2 PoE supply IEEE 802.3af (connect only to PoE networks without routing to the outside plant)
Inrush current peak	5A maximum Duration: approx. 30 μ s Electrical charge: 60 μ As at 6V
Battery life for wireless reader (typical use case)	ca. 2900 triggers can be operated within a 10 hour working shift
Ethernet	10/100 Base-T FULL/HALF DUPLEX, IEEE 802.3
Bluetooth	Bluetooth™ 2.1, 2.4 GHz
WiFi	802.11 b/g, 2.4 GHz, User Selectable channels 1-11

DataMan Base Station Specifications

	DMA-IBASE-BT-XX	DMA-IBASE-01
Weight	300 g	328 g
Operating Temperature	0°C — 45°C (32°F — 113°F)	0°C — 40°C (32°F — 104°F)
Storage Temperature	-40°C — 60°C (-40°F — 140°F)	-40°C — 60°C (-40°F — 140°F)
Maximum Humidity	95% (non-condensing)	95% (non-condensing)
Power Supply Requirements	24V +-10%, 15 W maximum LPS or NEC class 2 power supply Recommended wire diameter is 14-18 AWG	24V +- 10%, 13 W maximum LPS or NEC class 2 power supply, or PoE class 3 (connect only to PoE networks without routing to the outside plant)

Connection Options

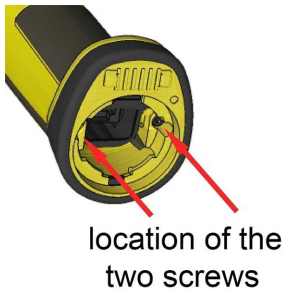
This section provides descriptions on the connection options of DataMan 8600 including details about Ethernet-, RS-232- and USB-based connections. In the following sub-sections, you will learn how to connect your DataMan 8600 reader through RS-232, Ethernet, or USB, and in the case of a wireless reader, how to connect to a base station and how to pair your reader with the active base station.

Connecting a DataMan 8600 Through Ethernet

1. Connect the Ethernet slide-in (DMCM-ENETM-00) to your DataMan 8600.



2. With a 2.5 mm Allen wrench, tighten the screws so that the slide-in is firmly locked.



3. Insert the plug and slide the cable lock up to the reader and twist the cable lock in place.



Use the DM8000-ECABLE-05 (5 meters) or the DM8000-ECABLE-30 (30 meters). You also need a Power Over Ethernet Adapter (CPS-AC-POE1A-xx).

Note: Disconnect the DataMan 8600 reader from power before inserting/removing communication modules.

Troubleshooting an Ethernet Connection

If your reader does not appear in the DataMan Setup Tool's list of network devices, you may need to adjust your network settings.

First check your Ethernet connection and click **Refresh** in the DataMan Setup Tool. Next, scan the **Enable DHCP** code below (which you can also find in the *DataMan Reader Configuration Codes* document available from the Windows **Start** menu or the Setup Tool **Help** menu). This might allow the reader to acquire a suitable IP address from a DHCP server on your subnet.

If the reader still does not appear, you can use either the Add Device or Force Network Settings options in the DataMan Setup Tool.

If you know the IP address of the reader, use the **Add Network Device** option under **Reader Maintenance**. If you do not know the IP address, use the **Force Network Settings** option. Either method should allow the DataMan 8600 reader to appear in the list of **Network devices** so that you can connect to it through the DataMan Setup Tool and your Ethernet connection.

If none of the above helps, reset your reader to factory defaults by scanning the **Reser Scanner to Factory Defaults** code below.



Enable DHCP



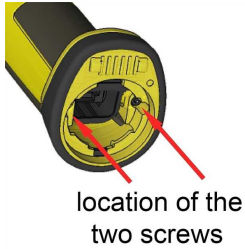
Reset Scanner to
Factory Defaults

Connecting a DataMan 8600 Through RS-232

1. Connect the serial slide-in (DMCM-SERIALM-00) to your DataMan 8600.



2. With a 2.5 mm Allen wrench, tighten the screws so that the slide-in is firmly locked.



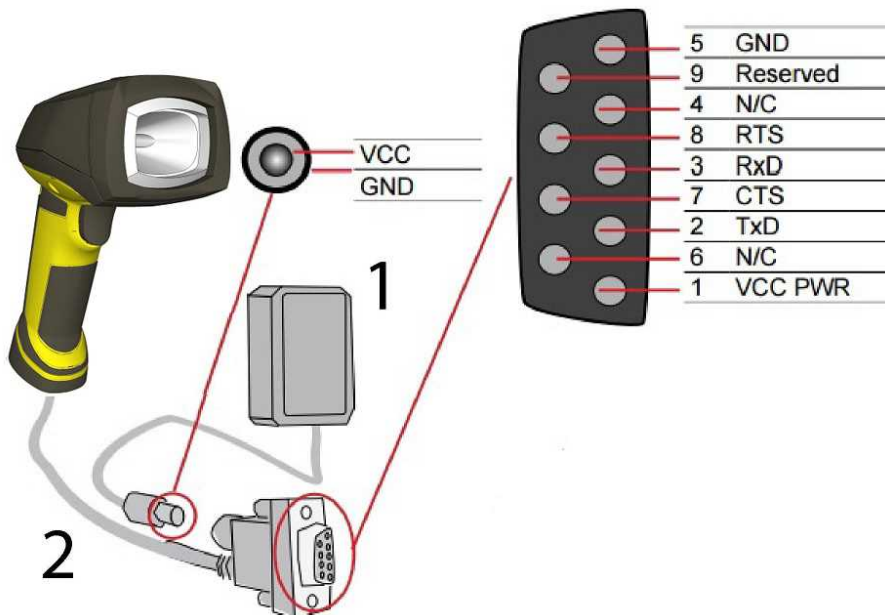
3. Insert the plug and slide the cable lock up to the reader and twist the cable lock in place.



Use the DM8000-RS232-02 cable (2.5 meters) or the DM8000-RS232-05 cable (5 meters). For power supply, use the DataMan 8000 Power Supply (DM100-PWR-000).

Note: Disconnect the DataMan 8600 reader from power before inserting/removing the communication modules.

Observe the following electrical requirements:



1	6VDC power supply (DM100-PWR-000), a 5.5 mm x 2.1 mm DC Power Plug
2	VCC = +4.75V up to +6.0V for 2.5 m cable VCC = +5.5V up to +6.0V for 5.0 m cable

⚠ WARNING: For proper RS-232 operation, do not apply any voltage to pin 9.

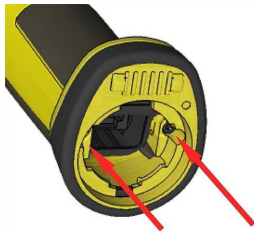
i Note: Power on the RS-232 cable can be supplied by either the DC Power Plug or Pin 1 of the D-SUB. **DO NOT** use both in parallel.

Connecting a DataMan 8600 Through USB

1. Connect the serial slide-in (DMCM-SERIALM-00) to your DataMan 8600.



2. With a 2.5 mm Allen wrench, tighten the screws so that the slide-in is firmly locked.



location of the
two screws

3. Insert the plug, slide the cable lock up to the reader and twist the cable lock in place.



Use the DM8500-USB-00 cable (2.5 meters) or the DM8500-USBC-02 cable (2.5 meters).

i Note: Disconnect the DataMan 8600 reader from power before inserting/removing the communication modules.

Using Your Device Through USB

If you connect your reader with the coiled USB cable, you must use your device in USB 1.1 mode. With a straight USB cable, you can use your device in both modes.

Change the **USB Connection** in the **Serial** tab of the **Communication Settings** pane in DataMan Setup Tool, or scan the appropriate code from the *DataMan Configuration Codes* document.



You can also switch the USB mode (CDC or HID) of both the reader and the base station with a pair of RP codes. Perform the following steps:

In the case of a corded reader:



1. Disconnect from the DataMan Setup Tool if you are connected.
2. Scan the **“USB Keyboard”** code from the *DataMan Configuration Codes* document.
3. Start scanning codes with your corded reader.

In the case of a wireless reader:



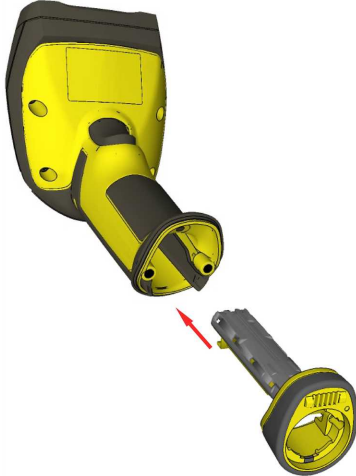
1. Disconnect from the DataMan Setup Tool if you are connected.
2. Scan the **“Enable USB Keyboard for the base station”** code from the *DataMan Configuration Codes* document.
3. Start scanning codes with your wireless reader.

Using DataMan 8600 Wireless Readers

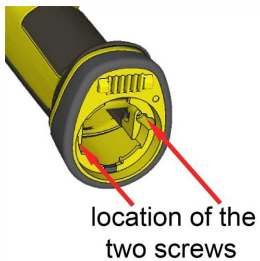
This section provides information about the usage of the wireless DataMan 8600 readers. It details the pairing strategy, the base station routing capabilities, the ad-hoc and infrastructure modes, data buffering as well as how to charge the DataMan 8600.

Connecting to a Wireless DataMan 8600 Through a Base Station

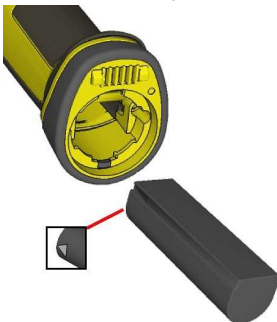
1. Connect the wireless slide-in (DMCM-BTM-00) to your DataMan 8600.



2. With a 2.5 mm Allen wrench, tighten the screws so that the slide-in is firmly locked.



3. Insert the battery.



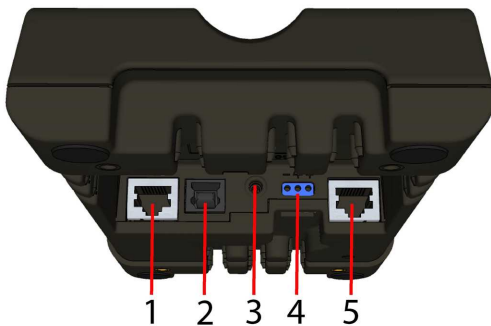
Note: Remove the battery from your DataMan 8600 before inserting/removing the communication module.

4. Insert the plug and twist it in place.

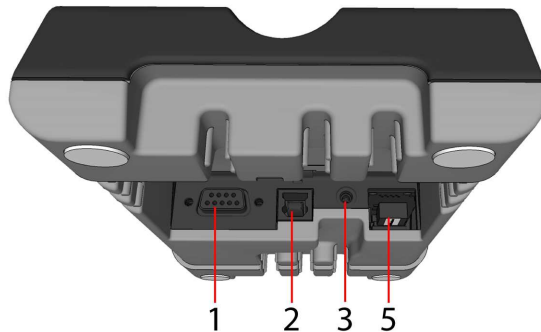


5. Power up the DMA-IBASE-BT-XX base station using a 24V power supply (DMA-24VPWR-XX). In the case of a DMA-IBASE-01 base station, use either a 24V power supply, or a Class 3 Power Over Ethernet adapter.
6. Connect your base station to your PC using either serial, USB or Ethernet communication.

DMA-IBASE-BT-XX

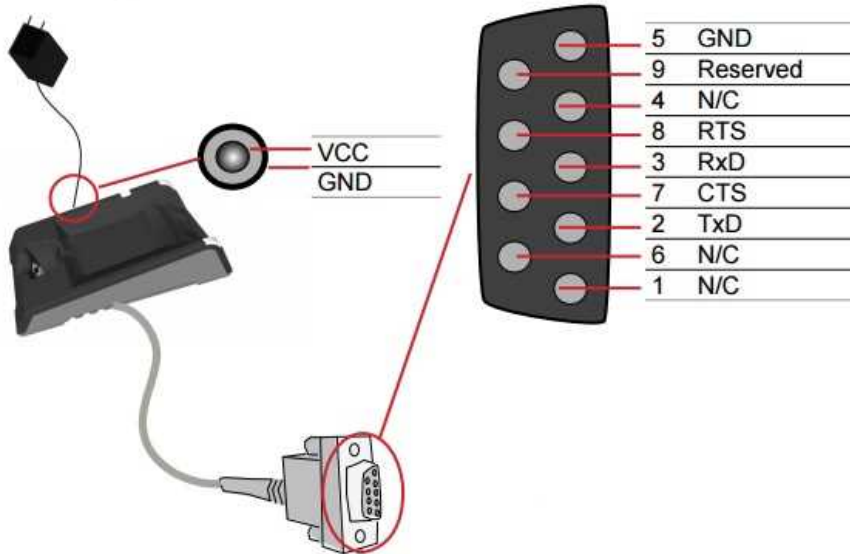


DMA-IBASE-01



1	RS-232 connection
2	USB connection
3	Power
4	Alternative power supply connector
5	Ethernet connection

Observe the following electrical requirements when connecting the base station through RS-232:



⚠ WARNING: For proper RS-232 operation, do not apply any voltage to pin 9.

Power to base station can be supplied by either the DC power plug or by wiring in 24V. **DO NOT** use both in parallel. The DC power plug is a 24VDC power supply (DMA-24VPWR-xx), 3.5 mm x 1.3 mm.

i Note: Be careful to use the appropriate connector for RS-232. See [Step 6](#) above.

7. When the base station is powered up, scan the Pair scan code and place your reader into the base station. The base station's status indicator becomes green. When the wireless reader is removed from the base, a wireless connection is established. The status indicator of both the base station and the reader become blue and you can hear a beep. Blue lights indicate that the reader and the base have successfully paired and are communicating.
8. Connect to your base station or to the wireless reader. You have the following connection options:

Base Station Connection Type	Connect to Reader in the Setup Tool	Connection Channels
RS-232	Wireless reader appears: COM port (Base Station does not appear)	terminal program Setup Tool
USB	Base Station appears: COM port 1 Wireless reader appears: COM port 2	terminal program Setup Tool
Ethernet	Base station appears: Network device 1 Wireless reader appears: Network device 2	terminal program Setup Tool

9. Lift your reader up from the base station and start reading codes.

Note:

- When the reader is on the base station, communication is established by means of cradle contacts. Wireless communication is disabled.



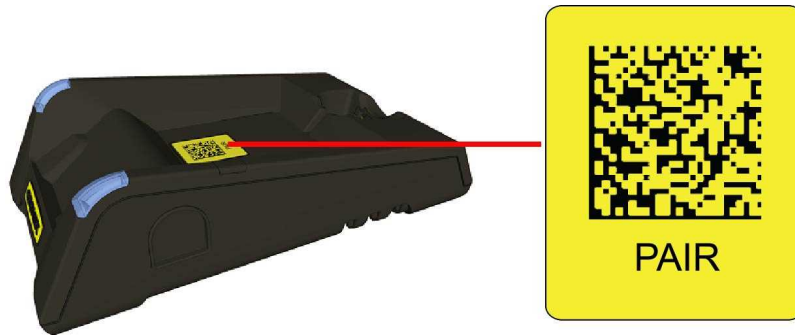
- Configure wireless communication settings by connecting to the base station. In order for the changed settings to be synchronized between the DataMan 8600 wireless reader and the base station, place your reader in the base station after your changes are saved. To assign a static IP address to the base station or the reader when communicating via Ethernet, connect to the base station in the DataMan Setup Tool. The base station, however, auto-assigns the IP address to the reader when they become paired.

Note:

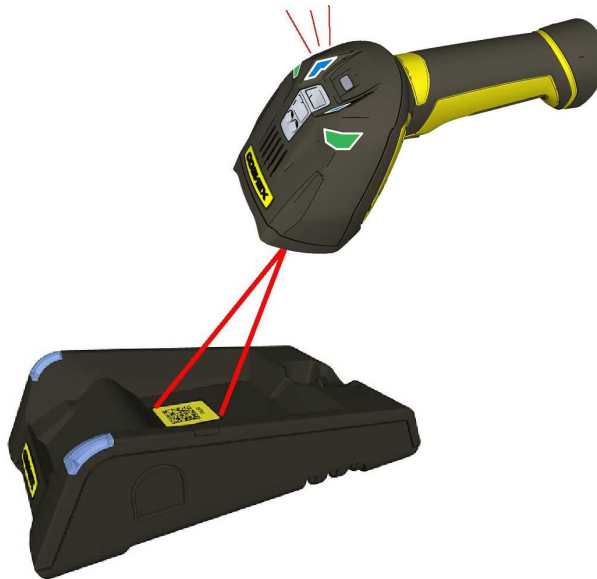
- When you connect with the base station to a terminal program, your wireless reader sends decode results to the terminal, but you cannot send commands to the reader.
- If you want to unpair your reader from the base station, you can either click Unassign in the Bluetooth or Wireless tab of the Communication Settings pane of the DataMan Setup Tool (when you are connected either with the reader or the base station), or scan the “Unassign Reader” reader configuration code.
- If you place the wrong reader (that is, a reader that is not associated with the base station) into the base station, the base station status indicator flashes red and a series of short beeps can be heard.

Pairing Strategy (DMA-IBASE-BT-XX)

In order to pair the base station and the reader in a single step without considering former pairing states and without using the DataMan Setup Tool, scan the Pair code from the scan code sticker on the base station.



The reader then blinks green/blue until it gets paired with the base station (or until the end of the 20 second timeout period). When the reader is put on the base station, the base station drops its pairing with its old reader and pairs with the new reader.



Note: Scanning the Pair code puts the base station and the reader put on it into **force pairing mode**. This means that the reader and the base it is put on get paired regardless of any assignments they both had previously. This force pairing mode is valid for 20 seconds after reading the Pair code.

The base station's indicators turn green to indicate successful pairing:



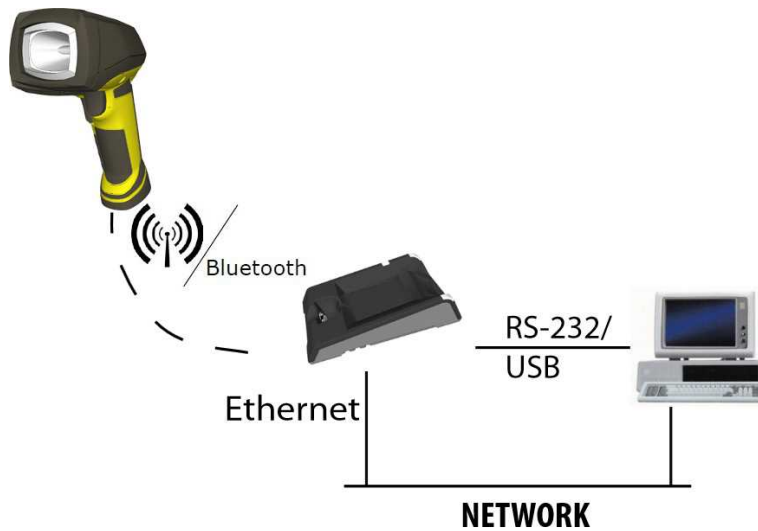
When the reader is put onto another (unpaired) base station without any previous actions, the base station signals this event with beeping and red flashing of its indicators:



The base station that is paired with a certain reader signals a bad reader alert (beeps and flashing red indicators) also when another, unassigned reader is put into it.

Base Station Routing Capabilities

The base station is visible as connected through either RS-232, USB or Ethernet, but it routes data through the wireless interface to the reader.



Ad-hoc Mode

It is possible to connect to the reader wirelessly with the computer in ad-hoc mode (using a reader-created WiFi connection). Reset the reader to factory defaults (this configures the device to ad-hoc mode), and after the device appears under WiFi connections, connect to it with the DataMan Setup Tool and then use the **Wireless** tab under **Communication Settings** to configure authentication and encryption (which are not configured by default). For more information, see the **Communications and Programming Guide**.

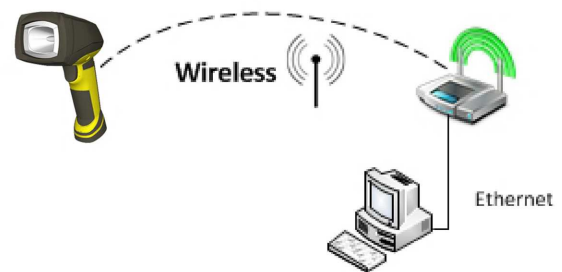
Note: The base station is only used for charging the reader in this setup. If an intelligent base station is used, the reader has to be unassigned in the DataMan Setup Tool (connected to the base station) under **Communication Settings > Wireless** tab if the reader has already been placed in the base station.

Note: Placing the reader in the intelligent base station automatically reassigns it to the base station unless the base station is unplugged from the network first.

Ad-hoc Mode



Infrastructure Mode



Infrastructure Mode

It is possible to connect to the reader in infrastructure mode using WiFi connection. You need to reset the reader to factory defaults, connect to the device in ad-hoc mode, and then use the **Wireless** tab under **Communication Settings** to activate and configure infrastructure mode.

Infrastructure mode requires a router as an access point. Encryption and authentication are available as seen in the table below. See the **Communications and Programming Guide** for detailed information.

Authentication mode	Encryption	Requirements
Open System	WEP-40, WEP-104	passphrase
WPA-PSK, WPA2-PSK	TKIP, AES, TKIP/AES	passphrase
EAP-TLS	TKIP, AES, TKIP/AES	- Client's certificate - CA's certificate - Client's private key - Client's username
PEAP-MSCHAPV2	TKIP, AES, TKIP/AES	- Client's certificate - CA's certificate - Client's username

Note: The base station is only used for charging the reader in this setup. If an intelligent base station is used, the reader has to be unassigned in the DataMan Setup Tool (connected to the base station) under **Communication Settings > Wireless** tab if the reader has already been placed in the base station.

Note: Placing the reader in the intelligent base station automatically reassigns it to the base station unless the base station is unplugged from the network first.

Wireless Reader: Buffering Data

When you are within the wireless range of the base station, your wireless reader sends decoded data to your PC through the base station, just as if you used a tethered reader. You can also see the decoded images in DataMan Setup Tool, if it is running and is connected to the reader.

When you leave the wireless range, however, you lose connection to your PC, but you can still keep reading codes. The decoded data is saved in the buffer of the reader.

This buffered data appears on your PC again when you come back within the wireless range, but **ONLY IF** you were connected to a terminal program when you left the wireless range.

Buffered read results on the reader are not displayed in the DataMan Setup Tool; they are only transmitted over an existing keyboard emulation, RS-232 Serial or TCP/IP Telnet connection.

Note: The images acquired by the reader when it is out of the wireless range are never saved, and cannot be retrieved.

Open a connection with the reader in a terminal program so that you gain the buffered data when wireless connection is established again.

See the following table for connection options according to communication type:

Base Station Connection Type	How to Connect
RS-232	Connect to the COM port of the base station.
USB	Connect to the COM port of the wireless reader.
Ethernet	Connect to the terminal program using the IP address of the reader. To find out the IP address, go to the Connect backstage page in the DataMan Setup Tool and check the IP address of the reader in the Address column.
USB Keyboard	Open the text editor or your program of choice to use keyboard emulation. When you return to the wireless range, keyboard emulation continues, starting with the buffered data.

While you are still within the wireless range, the reader occasionally blinks blue to indicate that the wireless connection is established.

When the reader leaves the wireless range, the base station's signal becomes red.



Blinking blue status indicator: wireless connection is alive.



When you leave the wireless range, you can still keep reading codes. The reader going offline is indicated by a long beep and the status indicator flashes magenta. Status indicator blinks magenta: your reader is offline.



When the reader is offline, good reads are indicated with 2 short beeps and the selected good read status indicator color (green by default). Status indicator beeps twice: your reader is offline while decoding symbols.



When the buffer is full, no more codes are read. The reader does not discard the oldest read. When the buffer is full, the reader beeps and the status indicator becomes white.



Summary of Wireless Buffering Indicators

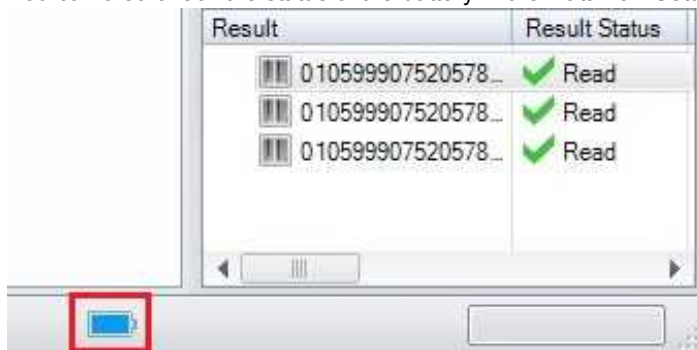
Condition	Status Indicator: Reader	Status Indicator: Base Station	Sounds
Reader in wireless range of base station	When the reader is awake, blinking blue indicates wireless connection with base. When the reader is offline, no indicator. Pull the trigger to wake it up and it will blink blue. Good read: green , single beep (default) No read: red , no beep (default)	Reader out of the base station and reader is awake: steady blue . Reader out of the base station and reader is offline: steady red . Paired reader in the base station: flashing green . Base station is receiving data or images from reader: steady blue .	Good read: 1 beep (default) No read: no beep (default)
Reader out of wireless range of base station	Offline: When the reader wakes up out of the wireless range, there is no indicator. Good read: green (default) No read: red (default)	Reader offline: steady red .	Long beep when you leave the wireless range. Good read: 2 beeps No read: no beep
Reader out of wireless range, buffer is full	Good read: green and then white. No read: red (default)	Reader offline: steady red .	Good read: long beep No read: no beep

Wireless Reader: Charging

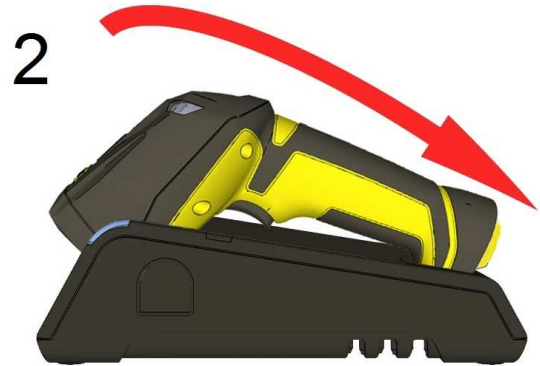
When you are reading codes with your wireless reader, blinking red status indicators will indicate a low battery. As the battery discharges, the blink frequency increases. Blinking red status indicator indicates low battery or thermal shutdown mode.



You can also check the status of the battery in the DataMan Setup Tool.



Place the reader on the base station for charging. Make sure that the pins at the end of the handle make contact with the pins in the base station.



Paired Reader Charging



Paired Reader Fully Charged

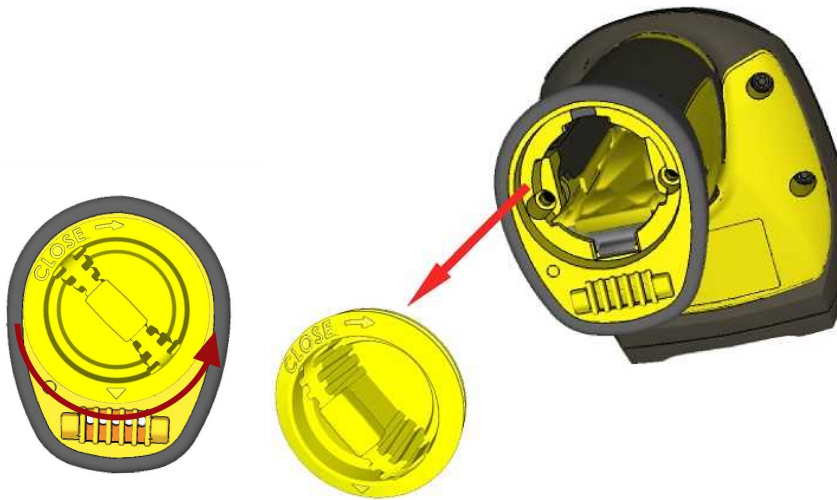
Refer to the following table for a summary of indicators regarding charging:

Condition	Status Indicator: Reader	Status Indicator: Base Station
Battery low	flashing red indicators	steady blue, indicating connection flashing blue, indicating data transfer
Reader is charging in the base station	steady red indicators	steady green, indicating connection flashing green, indicating data transfer
Reader is fully charged in the base station	steady green indicators	steady green, indicating connection flashing green, indicating data transfer

Wireless Reader: Changing Batteries

To change batteries, perform the following steps:

1. Twist the reader's end cap, and take it off.



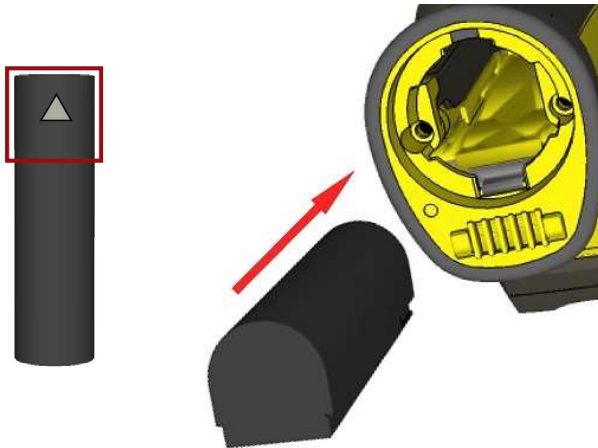
2. Hold the reader in an upright position and the battery will slide out of the handle.

Note: You may need to shake the reader slightly.

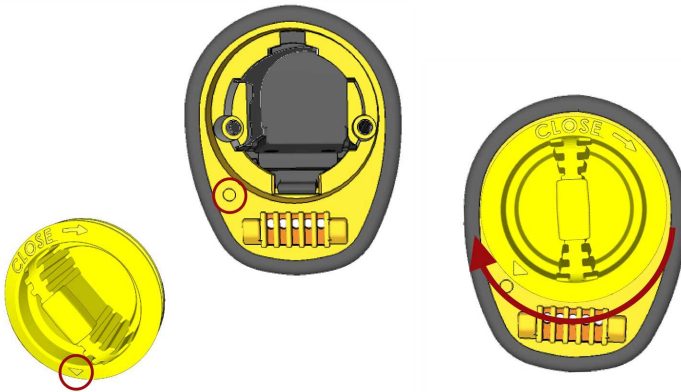


CAUTION: The battery used in these devices may present a risk of fire or chemical burn if mistreated. Do not disassemble, heat above 60°C (140°F), or incinerate. Replace battery with Cognex DMA-HHBATTERY-01 only. The use of another battery may present a risk of fire or explosion.

- Put the replacement battery into the slot. The battery has a small triangle on one side. Make sure that you insert the battery in a way that the triangle end goes into the slot first.



- Put the end cap back on and twist it. Make sure that the triangle aligns with the circle when the cover is locked.



- If using DMA-CBASE-01, place the battery in the spare battery charger in the direction of the small triangle of the battery.



When you are charging the auxiliary battery, the base station's spare battery status indicator displays either charging in progress (red) or fully charged (green).



6. Dispose of used battery promptly. Keep it away from children. Do not disassemble and do not burn it. Use the appropriate separate take-back systems for battery disposal.

Reading Codes with the DataMan 8600

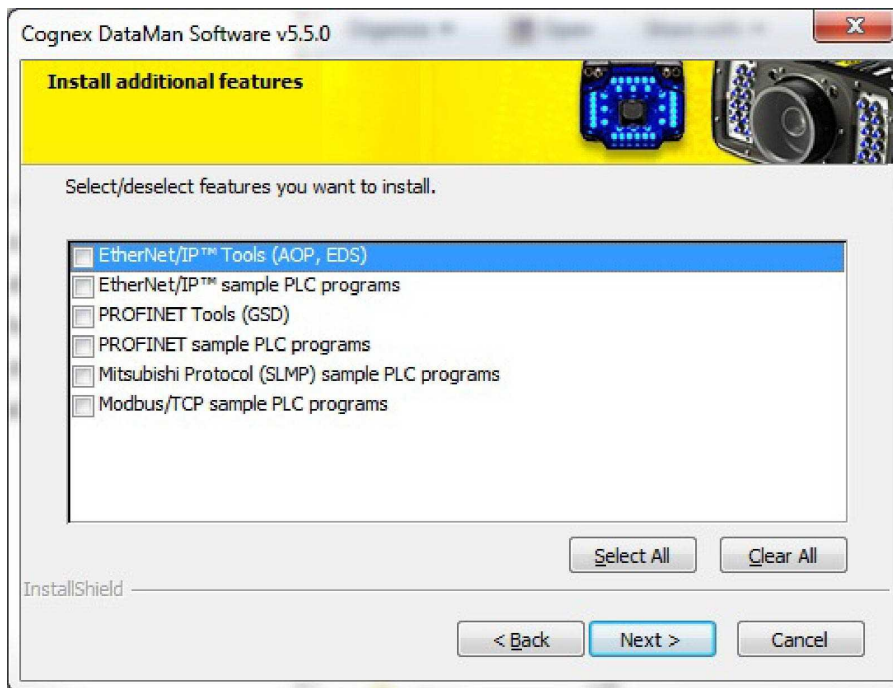
This section contains descriptions about trigger types as well as about the field of view and reading distances and the industrial protocols supported by the DataMan 8600 reader.

Industrial Protocols

The DataMan 8600 readers support the following industrial protocols:

- EtherNet/IP™
- PROFINET
- MC Protocol
- Modbus TCP

Select the industrial protocol tools and sample programs when installing the DataMan Setup Tool.



There are three ways to enable or disable Industrial Protocols. Using either method, a reboot is required for the changes to come into effect.

- Enable the protocols using the **Industrial Protocols** pane of the DataMan Setup Tool (under **Communication Settings**).
- Scan the appropriate **Reader Configuration codes** (see **Reader Configuration Codes** available through the Windows **Start** menu or the Setup Tool **Help** menu).
- Send the appropriate **DMCC** (see **Command Reference** available through the Windows **Start** menu or the Setup Tool **Help** menu).

For more information on using the industrial protocols, read the **DataMan Communications and Programming Guide** available through the Windows **Start** menu or the Setup Tool **Help** menu.

Trigger Types

The DataMan 8600 trigger mode determines when the reader attempts to read a code. Use the DataMan Setup Tool or the appropriate reader configuration codes to change trigger types.

The following trigger types are supported:

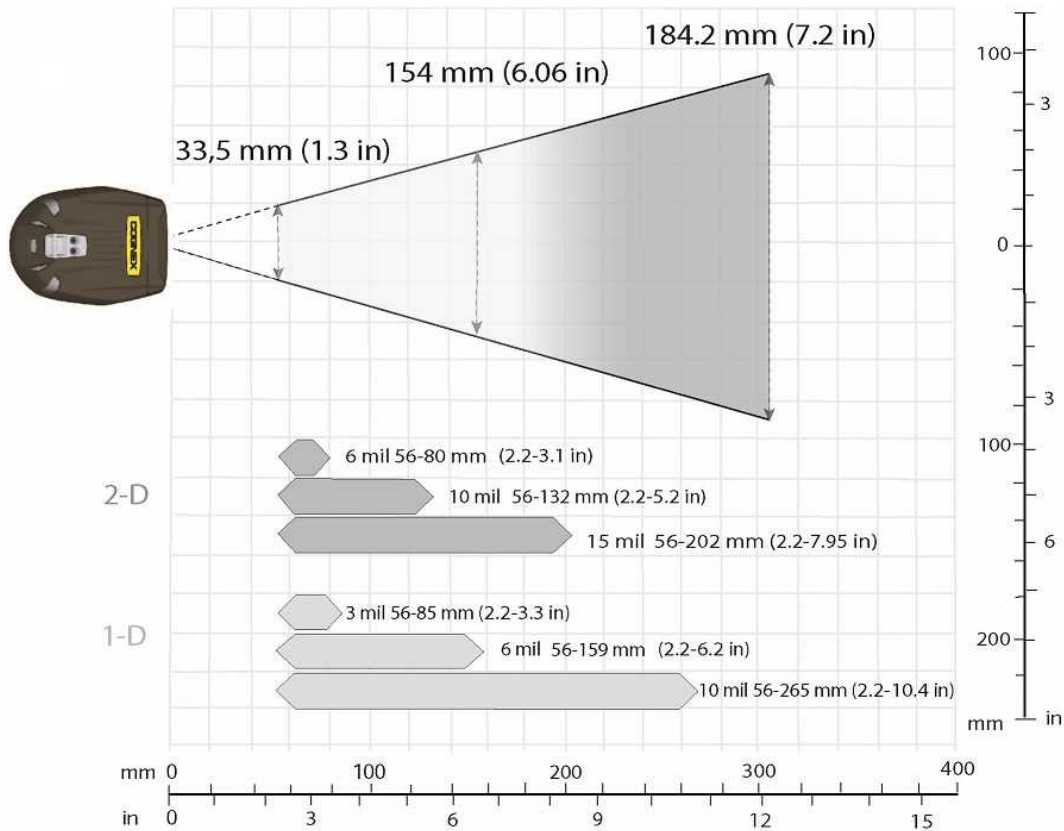
- Presentation: The LED aimer is always on.
- Manual (default): The reader begins acquiring images when you press the trigger button on the reader, and continues acquiring images until a symbol is found and decoded or you release the button.

Field of View and Reading Distances

There is a range of reading distances available for different code sizes and focus positions. Select a focus position that allows you to read the desired code sizes at the desired working distance.

- If your application has a consistent reading range, set the focus range to a limited depth of field with no steps (for example, set it to 20) or with limited steps (for example, set it to 2 steps between 0 and 30). This way you can achieve fast performance.
- If your application has a variety of code types and sizes, set the focus range to a wider depth of field with increased number of steps (for example, set it to 6 steps between 0 and 200). This way you can get better coverage.

Map of Field of View and Reading Distances




Note: The calibration distance is 143.0 mm from the nose of the lens, and the calibration tolerance is +/- 5 mm.


Compliance Information, Warnings and Notices

This section provides the general warnings and notices and agency compliance statements about the DataMan 8600 reader and the DataMan 8000 series base stations.

Laser Information

 **WARNING:** LASER LIGHT, DO NOT STARE INTO BEAM: CLASS 2 LASER PRODUCT FAILURE TO FOLLOW THESE INSTRUCTIONS MAY CAUSE SERIOUS INJURY

CAUTION:

- Use of controls or adjustments or performance of procedures other than those specified herein may result in hazardous radiation exposure.
- Do not attempt to service or repair this product -- return it to Cognex for service.
-  Do not permit anyone other than Cognex Corporation to service, repair, or adjust this product.
- Do not attempt to open or modify this device except as described in this document.
- Do not direct or reflect laser light toward people or reflective objects.
- Do not operate this device if it is damaged or if the covers or seals are missing or damaged.

This Laser Product is designated as Class 2 during all procedures of operation.

Wavelength	650 nm
Laser Power for classification	< 1 mW
Beam Diameter	< 3 mm at aperture
Divergence	< 5 mrad

For assistance contact Cognex Corporation at <http://support.cognex.com>.

Agency Compliance Statements

The DataMan 8600 device meets or exceeds the requirements of all applicable standards organizations for safe operation. However, as with any electrical equipment, the best way to ensure safe operation is to operate them according to the agency guidelines that follow. Please read these guidelines carefully before using your device.

The following specifications apply to the DataMan 8600 corded readers:

Regulator	Specification
USA	FCC Part 15B, Class A
	FCC Part 15.247
	FDA/CDRH Laser Notice No 50
Canada	ICES-003
European Community	EN55022, Class A
	EN55024
	EN60950
	EN60825-1
Australia	C-TICK, AS/NZS CISPR 22 / EN 55022 for Class A Equipment
Japan	J55022, Class A

The following specifications apply to the DataMan 8600 wireless readers:

Regulator	Specification
USA	FCC Part 15B, Class A
	FCC Part 15.247
	FDA/CDRH Laser Notice No 50
Canada	ICES-003
	RSS 210
European Community	EN301 489-1 / -17
	EN300 328-2
	EN60950
	EN60825-1

FCC Class A Compliance Statement

This equipment has been tested and found to comply with the limits for a Class A digital device, pursuant to part 15 of the FCC Rules. These limits are designed to provide reasonable protection against harmful interference when the equipment is operated in a commercial environment.

This equipment generates, uses, and can radiate radio frequency energy and, if not installed and used in accordance with the instruction manual, may cause harmful interference to radio communications. Operation of this equipment in a residential area is likely to cause harmful interference in which case the user will be required to correct the interference at his own expense.

This device complies with Part 15 of the FCC Rules.

Operation is subject to the following two conditions:

- (1) this device may not cause harmful interference, and
- (2) this device must accept any interference received, including interference that may cause undesired operation.

Changes or modifications made to this equipment not expressly approved by Cognex may void the FCC authorization to operate this equipment.

Radiofrequency radiation exposure information:

For body worn operation, this device has been tested and meets the FCC RF exposure guidelines when worn in hand or close to the body. Use of any accessory may not ensure compliance with FCC RF exposure guidelines.

Canadian Compliance

This Class A digital apparatus complies with Canadian ICES-003.

Cet appareil numérique de la classe A est conforme à la norme NMB-003 du Canada.

European Compliance



This equipment complies with the essential requirements of EU Directives 1999/5/EC, 2004/108/EC and 2006/95/EC, as applicable. Declarations are available from your local representative.

Където е приложимо, оборудването е съобразено с основните изисквания на Европейските директиви 1999/5/EC, 2004/108/EC и 2006/95/EC. Декларации са налични от местния представител.

Toto zařízení splňuje základní požadavky směrnic EU 1999/5/ES, 2004/108/ES a 2006/95/ES, vždy dle konkrétního způsobu použití. Příslušná prohlášení jsou k dispozici u vašeho lokálního distributora.

Dette udstyr overholder de væsentlige krav i EU-direktiv 1999/5/EF, 2004/108/EF og 2006/95/EF, som er relevant Erklæringerne kan fås hos din lokale repræsentant.

Tämä laitteisto täyttää seuraavat EU Direktiivien olennaiset vaatimukset 1999/5/EY, 2004/108/EY ja 2006/95/EY soveltuen. Vaatimusten-mukaisuusvakuutukset ovat saatavilla paikalliselta edustajalta.

Dit produkt voldoet aan de voorschriften van de richtlijnen van de EG Raad (1999/5/EC, 2004/108/EC en 2006/95/EC) indien van toepassing. Declaraties zijn beschikbaar bij uw locale vertegenwoordiger.

Cet appareil est conforme aux exigences essentielles des Directives de l'Union Européenne 1999/5/CE, 2004/108/CE et/ou 2006/95/CE. Veuillez consulter votre représentant local pour les déclarations applicables.

Ezen készülék technikai jellemzői megfelelnek a vonatkozó 1999/5/EC, 2004/108/EC és 2006/95/EC EU rendeletekben foglalt követelményeknek. A megfelelőségi dokumentáció a gyártó helyi partnereinél áll az Ön rendelkezésére.

Questo prodotto, ove applicabile, risponde alle direttive Europee 1999/5/EC, 2004/108/EC e 2006/95/EC. Dichiarazioni sono disponibili presso il vostro rappresentante locale.

Ten sprzęt jest zgodny z ogólnymi wymaganiami Dyrektyw UE nr 1999/5/EC, 2004/108/EC i 2006/95/EC, na ile znajdują zastosowanie. Oświadczenia są dostępne u lokalnych przedstawicieli.

Acest echipament este în conformitate cu cerințele esențiale ale Directivelor EU 1999/5/EC, 2004/108/EC și 2006/95/EC. Certifi-catele sunt disponibile la reprezentanta locala.

Toto zariadenie spĺňa základné požiadavky smerníc EÚ 1999/5/ES, 2004/108/ES a 2006/95/ES, vždy podľa konkrétneho spôsobu použitia. Príslušné vyhlásenia sú k dispozícii u vášho lokálneho dis-tributora.

Das Gerät erfüllt die wesentlichen Anforderungen der EU-Direktiven 1999/5/EC, 2004/108/EC und 2006/95/EC, soweit anwendbar. Eine entsprechende Bescheinigung kann bei Ihrem zuständigen Vertriebspartner angefordert werden.

Ta oprema je skladna in izpolnjuje nujne zahteve direktiv EU 1999/5/ES, 2004/108/ES in 2006/95/ES. Deklaracije so na voljo pri vašemkrajevnem predstavniku.

Αυτός ο εξοπλισμός συμμορφώνεται με τις βασικές απαιτήσεις των εφαρμοσμένων οδηγιών 1999/5/EC, 2004/108/EC και 2006/95/EC της Ευρωπαϊκής Ένωσης. Οι επίσημες δηλώσεις είναι διαθέσιμες από τον τοπικό σας αντιπρόσωπο.

Dan l-apparat huwa konformi mar-regolamenti stipulati mid-Direttivi Ewropej 1999/5/EC, 2004/108/EC u 2006/95/EC skond kif inhu likabbli. Kopji ta' dawn id-dikjarazzjonijiet huma aċċessibbli mingħand ir-rappreżentant locali tiegħek.

Este equipo cumple com las condições vigorantes de la EU diretivas 1999/5/EC, 2004/108/EC e 2006/95/EC, com é pertinente. Las normativas estão disponível com su representado local.

Este equipo cumple con los requerimientos esenciales de las direc-tivas de la EU 1999/5/EC, 2004/108/EC y 2006/95/EC, si es aplica-ble. Dichas declaraciones están en poder de sus representantes locales.

Ši iranga atitinka esminius ES direktyvu 1999/5/EC, 2004/108/EC ir 2006/95/EC reikalavimus. Deklaracijas galima gauti iš Jūsų vietinio atstovo.

Šis iekartas atbilst ES direktivu 1999/5/EC, 2004/108/EC un 2006/95/EC prasibam.

Deklarācijas ir pieejamas regionalajasparsstavniecības. See seadmed vastavad olulistele nõuetele ELi direktiivide 1999/5/EC, 2004/108/EC ja 2006/95/EC, midakohaldatakse. Deklarat-sioonid on saadaval Teie kohaliku esindaja.

Laser Safety Statement

WARNING: Complies with FDA performance standards for laser products except for deviations pursuant to Laser Notice No. 50, dated June 24, 2007. This device has been tested in accordance with IEC60825-1 2nd ed., and has been certified to be under the limits of a Class 2 Laser device.

UL and cUL Statement

UL and cUL listed: UL60950-1 1st ed. and CSA C22.2 No.60950-1 1st ed.

For European Union Users

Cognex complies with Directive 2002/96/EC OF THE EUROPEAN PARLIAMENT AND OF THE COUNCIL of 27 January 2003 on waste electrical and electronic equipment (WEEE).

This product has required the extraction and use of natural resources for its production. It may contain hazardous substances that could impact health and the environment, if not properly disposed.

In order to avoid the dissemination of those substances in our environment and to diminish the pressure on the natural resources, we encourage you to use the appropriate take-back systems for product disposal. Those systems will reuse or recycle most of the materials of the product you are disposing in a sound way.



The crossed out wheeled bin symbol informs you that the product should not be disposed of along with municipal waste and invites you to use the appropriate separate take-back systems for product disposal. If you need more information on the collection, reuse, and recycling systems, please contact your local or regional waste administration. You may also contact your supplier for more information on the environmental performance of this product.

Brazilian Compliance**Mexican Compliance**

RCPCO1A15-0074

Chinese Compliance

CMIIT ID: 2015DJ0236

Agency Compliance Statements: DataMan Base Station

The DataMan Base Station meets or exceeds the requirements of all applicable standards organizations for safe operation. However, as with any electrical equipment, the best way to ensure safe operation is to operate them according to the agency guidelines that follow.

Please read these guidelines carefully before using your device.

Regulator	Specification
USA	FCC Part 15B, Class A
	FCC Part 15.247
Canada	ICES-003
	RSS 210
European Community	EN301 489-1 / -17
	EN300 328-2
	EN60950

FCC Class A Compliance Statement for the DataMan Base Station

This equipment has been tested and found to comply with the limits for a Class A digital device, pursuant to part 15 of the FCC Rules. These limits are designed to provide reasonable protection against harmful interference when the equipment is operated in a commercial environment.

This equipment generates, uses, and can radiate radio frequency energy and, if not installed and used in accordance with the instruction manual, may cause harmful interference to radio communications. Operation of this equipment in a residential area is likely to cause harmful interference in which case the user will be required to correct the interference at his own expense.

This device complies with Part 15 of the FCC Rules and with RSS-210 of Industry Canada.

Operation is subject to the following two conditions:

- (1) this device may not cause harmful interference, and
- (2) this device must accept any interference received, including interference that may cause undesired operation.

Changes or modifications made to this equipment not expressly approved by Cognex may void the FCC authorization to operate this equipment.

Canadian Compliance

This Class A digital apparatus complies with Canadian ICES-003.

Cet appareil numérique de la classe A est conforme à la norme NMB-003 du Canada.

UL and cUL Statement



UL and cUL listed: UL60950-1 2nd ed. and CSA C22.2 No.60950-1 2nd ed.

European Compliance



This equipment complies with the essential requirements of EU Directives 1999/5/EC, 2004/108/EC and 2006/95/EC, as applicable. Declarations are available from your local representative.

Където е приложимо, оборудването е съобразено с основните изисквания на Европейските директиви 1999/5/EC, 2004/108/EC и 2006/95/EC. Декларации са налични от местния представител.

Toto zařízení splňuje základní požadavky směrnic EU 1999/5/ES, 2004/108/ES a 2006/95/ES, vždy dle konkrétního způsobu použití. Příslušná prohlášení jsou k dispozici u vašeho lokálního distributora.

Dette udstyr overholder de væsentlige krav i EU-direktiv 1999/5/EF, 2004/108/EF og 2006/95/EF, som er relevant. Erklæringerne kan fås hos din lokale repræsentant.

Tämä laitteisto täyttää seuraavat EU Direktiivien olennaiset vaatimukset 1999/5/EY, 2004/108/EY ja 2006/95/EY, soveltuvin osin. Vaatimusten-mukaisuusvakuutukset ovat saatavilla paikalliselta edustajalta.

Dit produkt voldoet aan de voorschriften van de richtlijnen van de EG Raad (1999/5/EC, 2004/108/EC en 2006/95/EC), indien van toepassing. Declaraties zijn beschikbaar bij uw locale vertegenwoordiger.

Cet appareil est conforme aux exigences essentielles des Directives de l'Union Européenne 1999/5/CE, 2004/108/CE et/ou 2006/95/CE. Veuillez consulter votre représentant local pour les déclarations applicables.

Ezen készülék technikai jellemzői megfelelnek a vonatkozó 1999/5/EC, 2004/108/EC és 2006/95/EC EU rendeletekben foglalt követelményeknek. A megfeleléségi dokumentáció a gyártó helyi partnereinél áll az Ön rendelkezésére.

Questo prodotto, ove applicabile, risponde alle direttive Europee 1999/5/EC, 2004/108/EC e 2006/95/EC. Dichiarazioni sono disponibili presso il vostro rappresentante locale.

Ten sprzęt jest zgodny z ogólnymi wymaganiami Dyrektyw UE nr 1999/5/EC, 2004/108/EC i 2006/95/EC, na ile znajdują zastosowanie. Oświadczenia są dostępne u lokalnych przedstawicieli.

Acest echipament este în conformitate cu cerințele esențiale ale Directivelor EU 1999/5/EC, 2004/108/EC și 2006/95/EC. Certifi-catele sunt disponibile la reprezentanta locala.

Toto zariadenie spĺňa základné požiadavky smerníc EÚ 1999/5/ES, 2004/108/ES a 2006/95/ES, vždy podľa konkrétneho spôsobu použitia. Príslušné vyhlásenia sú k dispozícii u vášho lokálneho distributora.

Das Gerät erfüllt die wesentlichen Anforderungen der EU-Direktiven 1999/5/EC, 2004/108/EC und 2006/95/EC, soweit anwendbar. Eine entsprechende Bescheinigung kann bei Ihrem zuständigen Vertriebspartner angefordert werden.

Ta oprema je skladna in izpolnjuje nujne zahteve direktiv EU 1999/5/ES, 2004/108/ES in 2006/95/ES. Deklaracije so na voljo pri vašemkrajevnem predstavniku.

Αυτός ο εξοπλισμός συμμορφώνεται με τις βασικές απαιτήσεις των εφαρμοσμένων οδηγιών 1999/5/EC, 2004/108/EC και 2006/95/EC της Ευρωπαϊκής Ένωσης. Οι επίσημες δηλώσεις είναι διαθέσιμες από τον τοπικό σας αντιπρόσωπο.

Dan l-apparat huwa konformi mar-regolamenti stipulati mid-Direttivi Ewropej 1999/5/EC, 2004/108/EC u 2006/95/EC skond kif inhu likabbli. Kopji ta' dawn id-dikjarazjonijiet huma aċċessibbli mingħand ir-rappreżentant locali tiegħek.

Este equipo cumple com las condições vigorantes de la EU diretivas 1999/5/EC, 2004/108/EC e 2006/95/EC, com é pertinente. Las normativas estão disponível com su representado local.

Este equipo cumple con los requerimientos esenciales de las directivas de la EU 1999/5/EC, 2004/108/EC y 2006/95/EC, si es aplicable. Dichas declaraciones están en poder de sus representantes locales.

Ši iranga atitinka esminius ES direktyvu 1999/5/EC, 2004/108/EC ir 2006/95/EC reikalavimus. Deklaracijas galima gauti iš Jūsų vietinio atstovo.

Šis iekartas atbilst ES direktīvu 1999/5/EC, 2004/108/EC un 2006/95/EC prasībām.

Deklarācijas ir pieejamas reģionālajās parstāvniecībās. See seadmed vastavad olulistele nõuetele ELi direktīvide 1999/5/EC, 2004/108/EC ja 2006/95/EC, mida kohaldatakse. Deklarat-sioonid on saadaval Teie kohaliku esindaja.

For European Union Users

Cognex complies with Directive 2002/96/EC OF THE EUROPEAN PARLIAMENT AND OF THE COUNCIL of 27 January 2003 on waste electrical and electronic equipment (WEEE).

This product has required the extraction and use of natural resources for its production. It may contain hazardous substances that could impact health and the environment, if not properly disposed.

In order to avoid the dissemination of those substances in our environment and to diminish the pressure on the natural resources, we encourage you to use the appropriate take-back systems for product disposal. Those systems will reuse or recycle most of the materials of the product you are disposing in a sound way.



The crossed out wheeled bin symbol informs you that the product should not be disposed of along with municipal waste and invites you to use the appropriate separate take-back systems for product disposal.

If you need more information on the collection, reuse, and recycling systems, please contact your local or regional waste administration. You may also contact your supplier for more information on the environmental performance of this product.

Mexican Compliance

RCPCO1A15-0073

Chinese Compliance

CMIIT ID: 2015DJ0237

Reader Control Codes



Reset Scanner to
Factory Defaults



Reboot
Scanner



USB Serial



USB Keyboard



Enable DHCP



USB Keyboard for
Base Station



Pair

Keyboard Language (Corded Readers Only)



US English



German



French



Spanish



Japanese

Precautions

Observe these precautions when installing the Cognex product, to reduce the risk of injury or equipment damage:

- To reduce the risk of damage or malfunction due to over-voltage, line noise, electrostatic discharge (ESD), power surges, or other irregularities in the power supply, route all cables and wires away from high-voltage power sources.
- Changes or modifications not expressly approved by the party responsible for regulatory compliance could void the user's authority to operate the equipment.
- Cable shielding can be degraded or cables can be damaged or wear out more quickly if a service loop or bend radius is tighter than 10X the cable diameter. The bend radius must be at least six inches from the connector.
- Class A Equipment (broadcasting and communication equipment for office work): Seller and user shall be notified that this equipment is suitable for electromagnetic equipment for office work (Class A) and can be used outside the home.
- This device should be used in accordance with the instructions in this manual.
- All specifications are for reference purpose only and may be changed without notice.

