

IN-SIGHT 7000 SERIES VISION SYSTEM

The In-Sight® 7000 series vision system represents a breakthrough in flexibility, performance and ease of integration. This powerful vision system performs fast, accurate inspections while its compact footprint easily fits into space-constrained production lines. The unique, modular design is highly field-customizable to your application requirements.

Enhanced performance keeps pace with increasing line speeds

With ever-increasing production line speeds, customers no longer have to choose between high-speed and industrial performance—the In-Sight 7000 offers both! With blazing fast acquisition and industry leading vision tools, including PatMax RedLine®, SurfaceFX™, OCRMax®, and color ID tools, the In-Sight 7000 vision system quickly locates the part and accurately performs the necessary inspection.

Flexible design is field customizable to your application

When it comes to factory automation, one size rarely fits all. That's why the In-Sight 7000 is designed with Flexible Image Technology™ (FIT™) that optimizes image formation and minimizes the need for expensive external lighting. Field-changeable and user-configurable lighting and optics modules provide users with ultimate flexibility to customize the system for their application.



Full-featured system to tackle a wide range of vision applications

The In-Sight 7000 vision system is engineered with the full suite of powerful Cognex vision algorithms and convenient features to help you solve your applications easily and reliably.

Suite of enhanced vision tools including PatMax RedLine, SurfaceFX, OCRMax, and color ID tools for rapid part location and inspection.

Onboard SD card for additional data storage and easy transfer of job files between systems.

Flexible Image Technology (FIT) optimizes image formation and minimizes the need for expensive external lighting.

Field changeable C-mount and S-mount lenses and an autofocus option for best image resolution based on working distance.



Extended heat sink on In-Sight 7905 5MP high resolution model.

Wrap-around LED indicator light provides clear visual pass/fail inspection results that can be seen from a distance regardless of product orientation.

IP67-rated housing provides protection in harsh factory environments.



Additional internal lighting options

In addition to other small form factor lights, the In-Sight 7000 is compatible with the high-powered integrated lighting module (HPIL) used with DataMan® 360 series barcode readers. The high-powered integrated lighting module offers diffuse illumination ideal for inspecting parts at varying working distances (Not supported on 5MP model.)

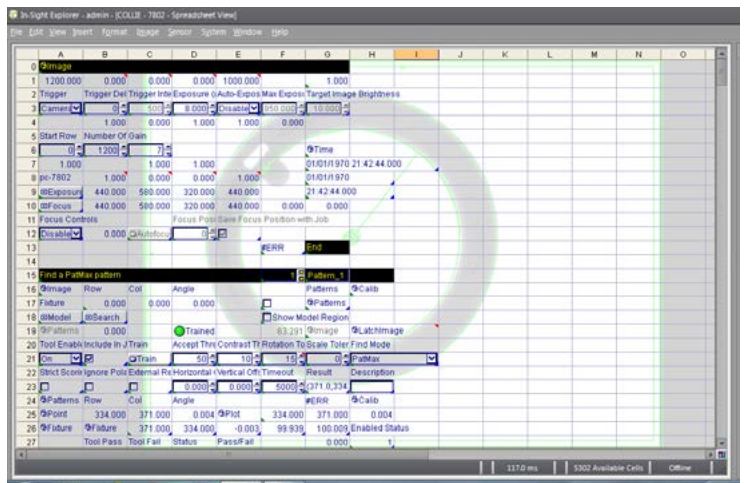


Integrates easily into your system infrastructure

Like all In-Sight vision systems, the In-Sight 7000 uses In-Sight Explorer EasyBuilder® to set up and monitor machine vision inspections. The intuitive interface guides operators through a step-by-step setup process allowing both novice and experienced users to configure vision applications quickly and easily.

The majority of applications can be solved using the point-and-click EasyBuilder interface, however should your application requirements change, the In-Sight spreadsheet provides you with ultimate control through direct access to the vision tools and communication options. Access to the spreadsheet not only provides programming flexibility to make essential adjustments, it also offers assurance that you will be able to solve any of your vision applications.

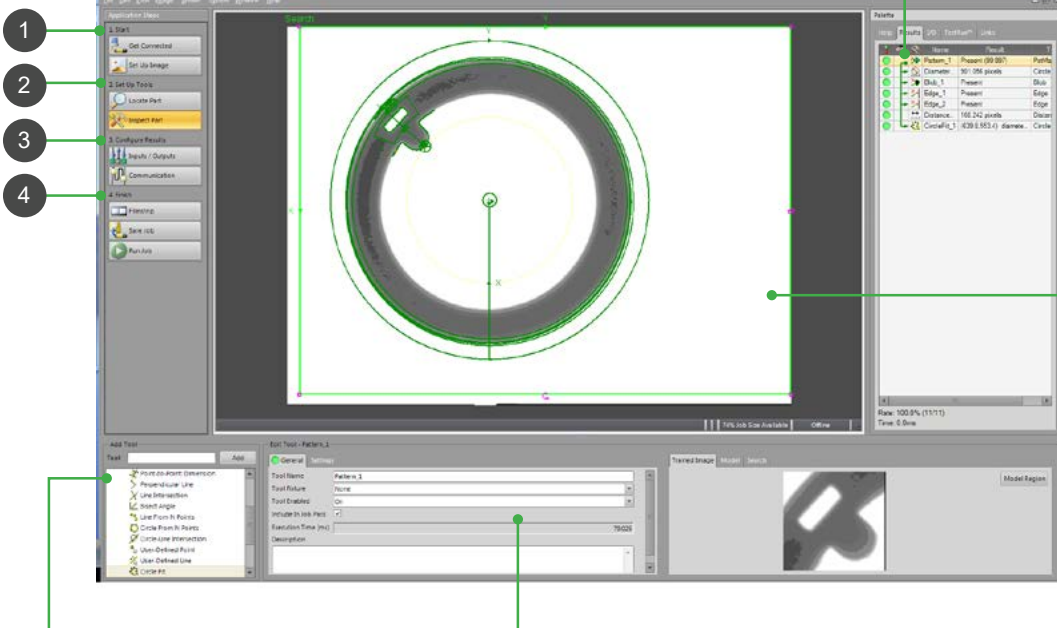
cognex.com/easybuilder



In-Sight spreadsheet provides ultimate control and direct access to vision tools.

The EasyBuilder user interface provides intuitive steps for even the most difficult applications. With no programming or spreadsheets needed, applications are deployed at breakthrough speed.

Four simple steps guide you through the setup process.



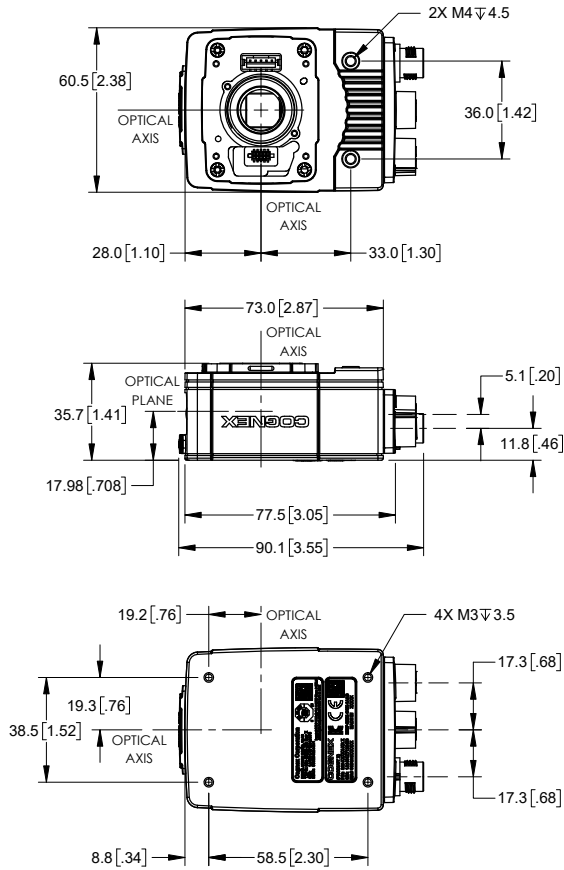
Results table— Consolidates tool results for easy viewing and helps users understand tool dependencies and performance timing.

Image centric— Point-and-click approach lets users drop in tools quickly by simply clicking on the features of interest.

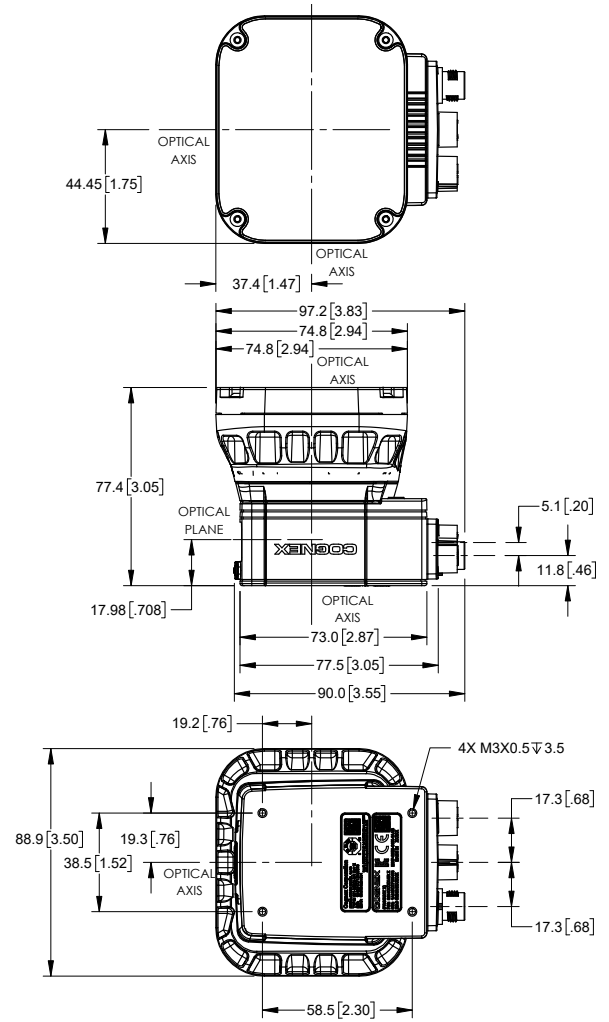
Tools palette—Comprehensive set of vision tools for locating, measuring, counting and identifying features, plus math, logic, geometry and graphic display tools.

Settings pane—Configures all vision tool parameters and settings.

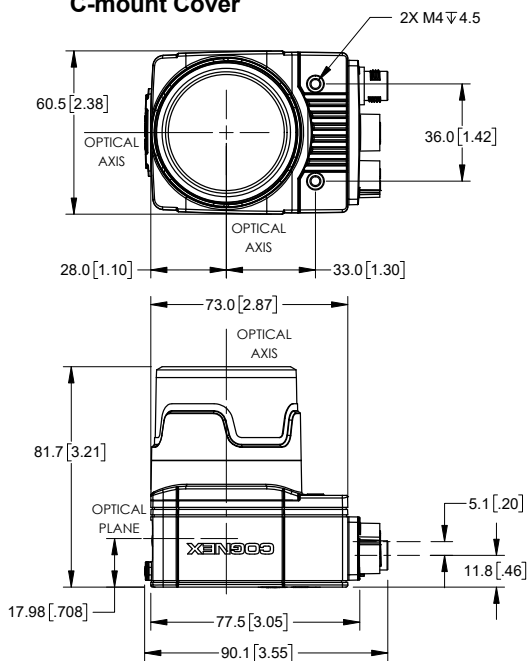
In-Sight 7000 Base Unit



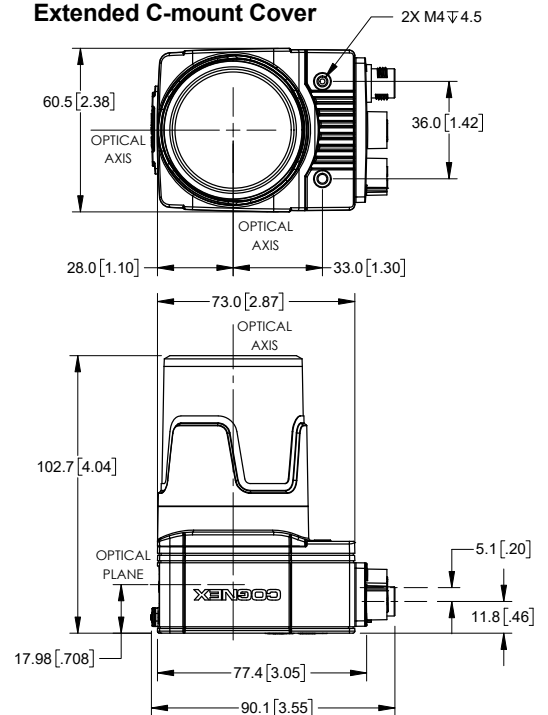
In-Sight 7000 with Internal Lighting



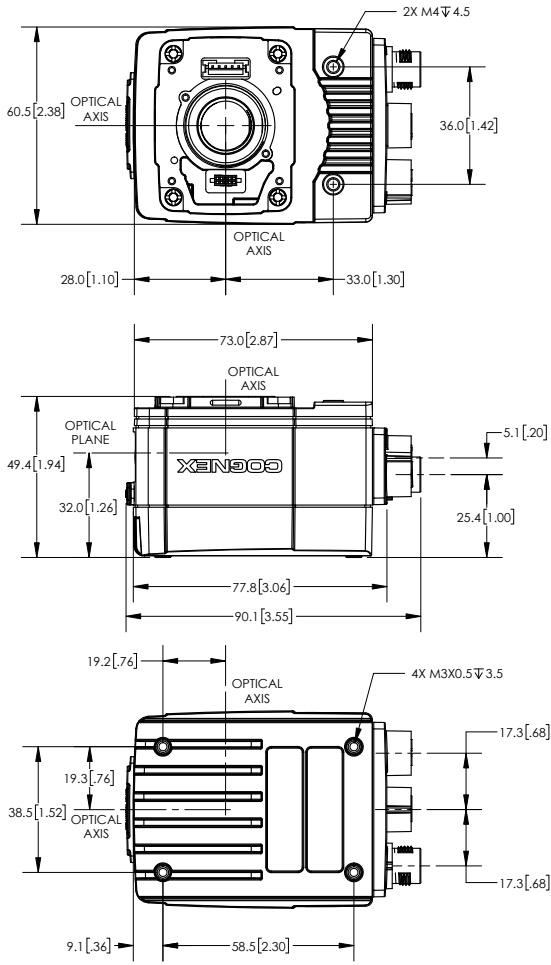
In-Sight 7000 with C-mount Cover



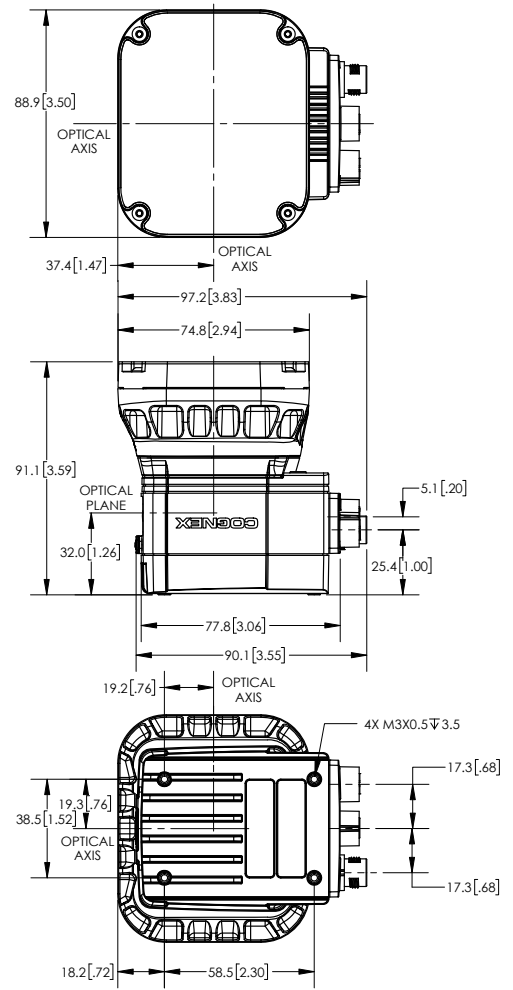
In-Sight 7000 with Extended C-mount Cover



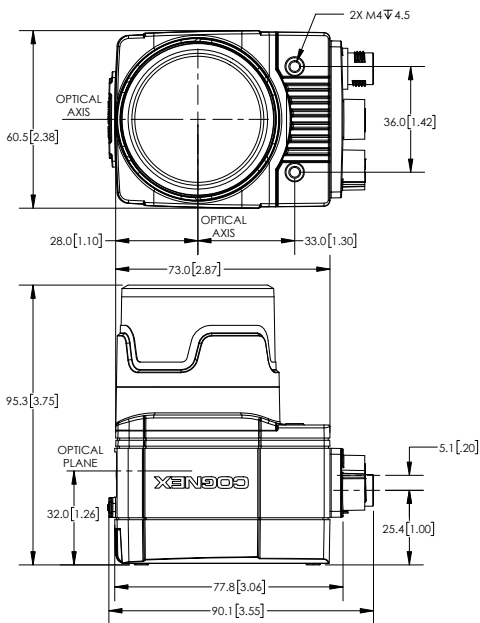
In-Sight 7905 Base Unit



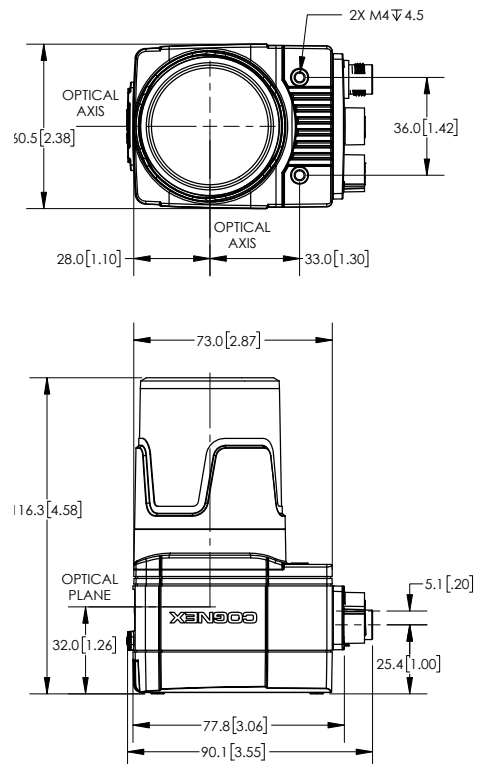
In-Sight 7905 with Internal Lighting



In-Sight 7905 with C-mount Cover



In-Sight 7905 with Extended C-mount Cover



SPECIFICATIONS

	7500	7501	7600	7800	7801	7802	7900	7901	7902	7905
Image Type	Monochrome		Monochrome and color							
Performance Factor	1x		1.4x	1.7x			1.8x			
Job/Program Memory	7.2 GB on board + 8 GB on SD card									
Image Processing Memory	512 MB SDRAM									
Sensor Type	CMOS, global shutter									
Resolution (pixels)	640 x 480/ 800 x 600 ¹	1280 x 1024	640 x 480/ 800 x 600 ¹	1280 x 1024	1600 x 1200	640 x 480/ 800 x 600 ¹	1280 x 1024	1600 x 1200	2448 x 2048	
Monochrome Acquisition Rate (fps)	217/165	76	217/165	76	53	217/165	76	53	32	
Color Acquisition Rate (fps)	n/a	n/a	135/100	45	33	135/100	45	33	17	
HDR Support	No	No	No	No	No	No	No	No	No	Yes ²
Lens Type	C-mount, S-mount/M12, Autofocus									C-mount
Light Options	Internal light, DataMan 360 light, external light powered by In-Sight or external light independent power									Internal light, external light powered by In-Sight or external light independent power
Internal Light Color	Red, white, IR, or blue									
Indicator LEDs	SD card status, pass/fail LED, 360-degree viewing indicator ring, network LED and error LED									
Built in IO	1 dedicated trigger in, 2 inputs, 2 outputs, 2 bi-directional/configurable, and RS-232. Additional I/O available via external I/O modules: CIO-MICRO or CIO-1400									
Power	24 VDC									
Industrial M12 Connectors	3: Power and I/O, Ethernet, and External light power/control									
Protection	IP67 with internal light option or C-mount lens cover									
Network Communications	1G (1000)/100/10 Mbps									
Industrial Protocols	EtherNet/IP with AOP, PROFINET, CC-Link IE Field Basic, SLMP/SLMP Scanner, Modbus TCP, IEEE 1588 (CIP Sync)									
General Protocols	TCP/IP, UDP, FTP, SFTP, Telnet, SMTP, RS-232									

¹ Software configurable

² HDR supported on Monochrome models only

Note: All models (except 7500/7501) have full vision tool suite with PatMax. PatMax RedLine tool is optional.



Companies around the world rely on Cognex vision and barcode reading solutions to optimize quality, drive down costs and control traceability.

Corporate Headquarters One Vision Drive Natick, MA 01760 USA

Regional Sales Offices

Americas

North America +1 844-999-2469
Brazil +55 (11) 2626 7301
Mexico +01 800 733 4116

Europe

Austria +49 721 958 8052
Belgium +32 289 370 75
France +33 1 7654 9318
Germany +49 721 958 8052

Hungary +36 800 80291
Ireland +44 121 29 65 163
Italy +39 02 3057 8196
Netherlands +31 207 941 398
Poland +48 717 121 086
Spain +34 93 299 28 14
Sweden +46 21 14 55 88
Switzerland +41 445 788 877
Turkey +90 216 900 1696
United Kingdom +44 121 29 65 163

Asia

China +86 21 6208 1133
India +9120 4014 7840
Japan +81 3 5977 5400
Korea +82 2 539 9980
Malaysia +6019 916 5532
Singapore +65 632 55 700
Taiwan +886 3 578 0060
Thailand +66 88 7978924
Vietnam +84 2444 583358

© Copyright 2019, Cognex Corporation.

All information in this document is subject to change without notice. All Rights Reserved. Cognex, In-Sight, OCRMax, PatMax RedLine, DataMan and Explorer EasyBuilder are registered trademarks of Cognex Corporation. SurfaceFX, Flexible Image Technology, and FIT are trademarks of Cognex Corporation. Lit. No. DS-IS7000G2-2019-04

www.cognex.com