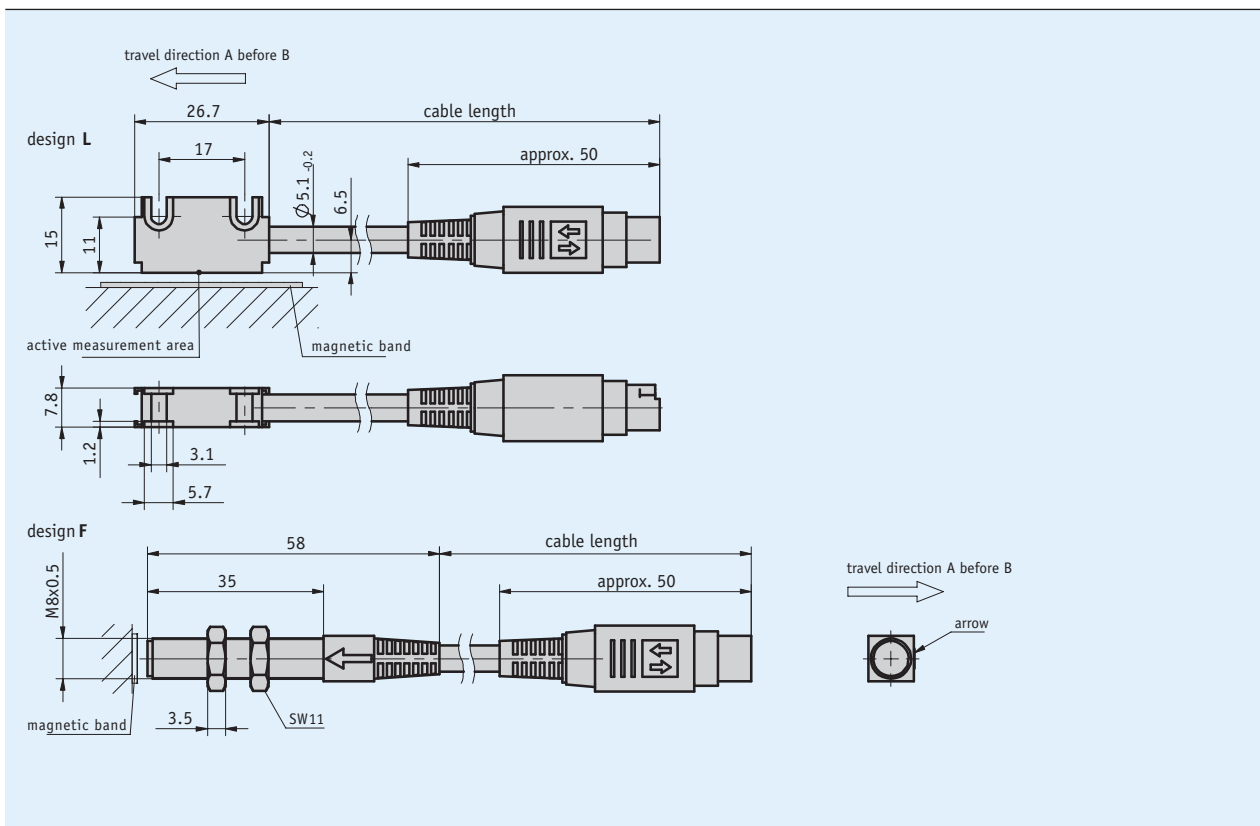
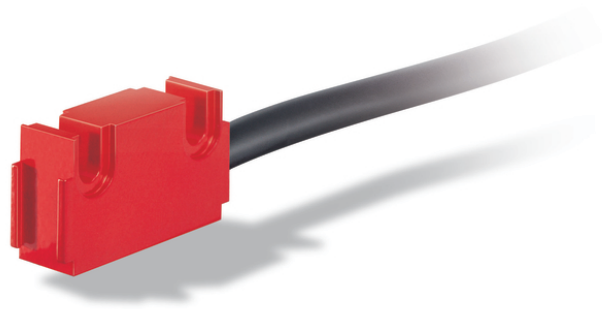


Profile

- Compact design of sensor and connector
- To be connected to MA502 or MA506
- Works with magnetic tape MB500/1, MR500, MBR500
- Reading distance ≤ 2 mm



Mechanical data

Feature	Technical data	Additional information
Housing	aluminum red	L design
	steel	F design
Sensor/band reading distance	0.1 ... 2 mm	
Cable sheath	PUR, PVC	6-wire $\varnothing 5.1_{-0.2}$ mm

Electrical data

Feature	Technical data	Additional information
Operating voltage	supply via measurement display / downstream electronic unit	
Current consumption	supply via measurement display / downstream electronic unit	
Type of connection	mini-DIN	6-pole, 1x pin (for MA502, MA506, MA523/1 or AS510/1 translation module)

System data

Feature	Technical data	Additional information
System accuracy	depending on downstream electronic unit	
Repeat accuracy	depending on downstream electronic unit	
Travel speed	≤5 m/s depending on downstream electronic unit	

Ambient conditions

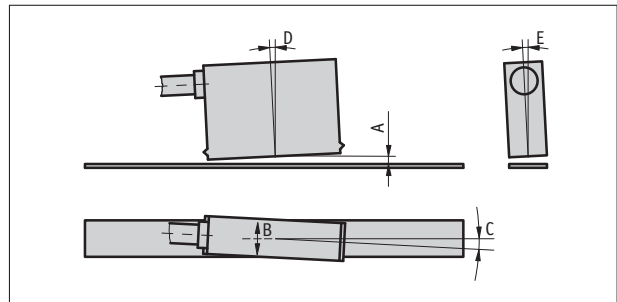
Feature	Technical data	Additional information
Ambient temperature	0 ... 60 °C	
Storage temperature	-20 ... 70 °C	
Relative humidity	100 %	condensation admissible (sensor head)
Protection category	IP67	EN 60529 (sensor head)
Shock resistance	2000 m/s ² , 11 ms	EN 60068-2-27
Vibration resistance	200 m/s ² , 50 Hz ... 2 kHz	EN 60068-2-6

Hint for mounting

A, Sensor/tape reading distance	≤2 mm
B, Lateral offset	±2 mm
C, Alignment error	±3°
D, Longitudinal inclination	±1°
E, Lateral inclination	±3°



The length of the cable between the sensor and connector cannot be subsequently increased or decreased.



Symbolic representation

Order

Ordering information

one or more system components are required:

Magnetic band MB500/1	www.siko-global.com
Magnetic ring MR500	www.siko-global.com
Magnetic band ring MBR500	www.siko-global.com
Electronic display MA502	www.siko-global.com
Electronic display MA506	www.siko-global.com
Translation module AS510/1	www.siko-global.com

Ordering table

Feature	Ordering data	Specification	Additional information
Design	L	A rectangular	
	F		
Cable sheath	PVC	B oil-resistant	
	PUR		
Cable length	...	C 00.2 ... 20.0 m, in intervals of 1 m	

Order key



Scope of delivery: MS500, User information, Fastening set