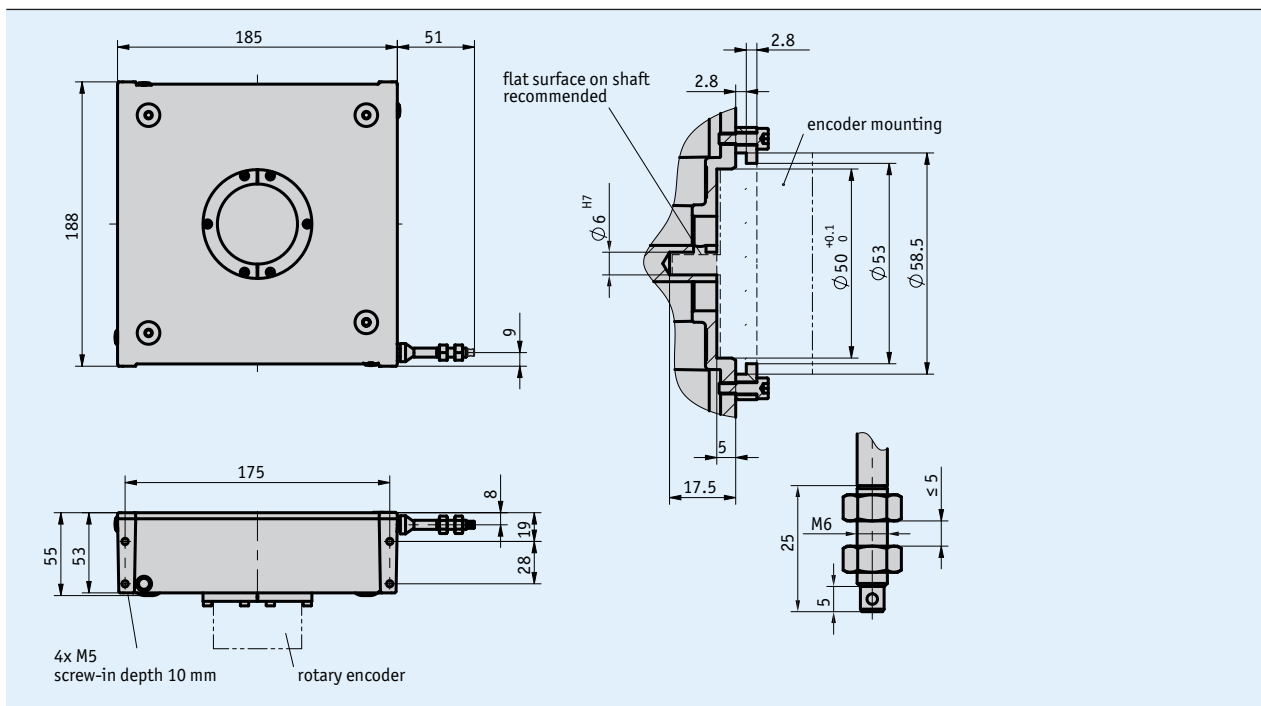


Profile

- Very compact design
- Measurement lengths up to max. 15000 mm
- Flexible wire outlet
- Wire-actuated encoder for rotary encoder with 58 mm servo-flange
- Robust design
- Very robust measuring rope (stainless steel)



Mechanical data

Feature	Technical data	Additional information
Housing	aluminum die-cast	
Wire design	$\phi 0.87$ mm $\phi 0.81$ mm	steel wire (stainless), plastic coated steel wire (stainless)
Extension force	≥ 15.5 N	
Measured distance/ rope drum revolution	500 mm	
Weight	~ 2.5 kg	without rotary encoder

Electric data

Rotary encoders suitable for the SG150 are featured in RotoLine catalogue 2. Depending on the output signals the following are suitable for...

- Analog outputs such as current or voltage: AV58M
- Incremental outputs: IV5800
- Absolute outputs: WV58MR, WV36M/SSI, WV36M/CAN

The technical specifications for these devices are given in the respective data sheet. A number of transmitter versions of various manufacturers can also be used.

System data

Feature	Technical data	Additional information
System accuracy	±0.1 %	relating to measuring length (mm)
Repeat accuracy	±0.2 mm	per direction of approach
Travel speed	≤2.4 m/s	

Ambient conditions

Feature	Technical data	Additional information
Ambient temperature	-40 ... 80 °C	
Protection category	see rotary encoder	

Order

Ordering information

One or more system components are required:

Absolute encoder AV58M	www.siko-global.com
Incremental encoder IV5800	www.siko-global.com
Absolute encoder WV58MR	www.siko-global.com
Absolute encoder WV36M/SSI	www.siko-global.com
Absolute encoder WV36M/CAN	www.siko-global.com

Ordering table

Feature	Ordering data	Specification	Additional information
Encoder type	OG6	without encoder	
	S6	a great variety of rotary connectors can be connected	

Order key

SG150 - 15000 - SK -

Scope of delivery: SG150, User information

Accessories:

Guide roller UR
Wire extension piece SV

www.siko-global.com
www.siko-global.com