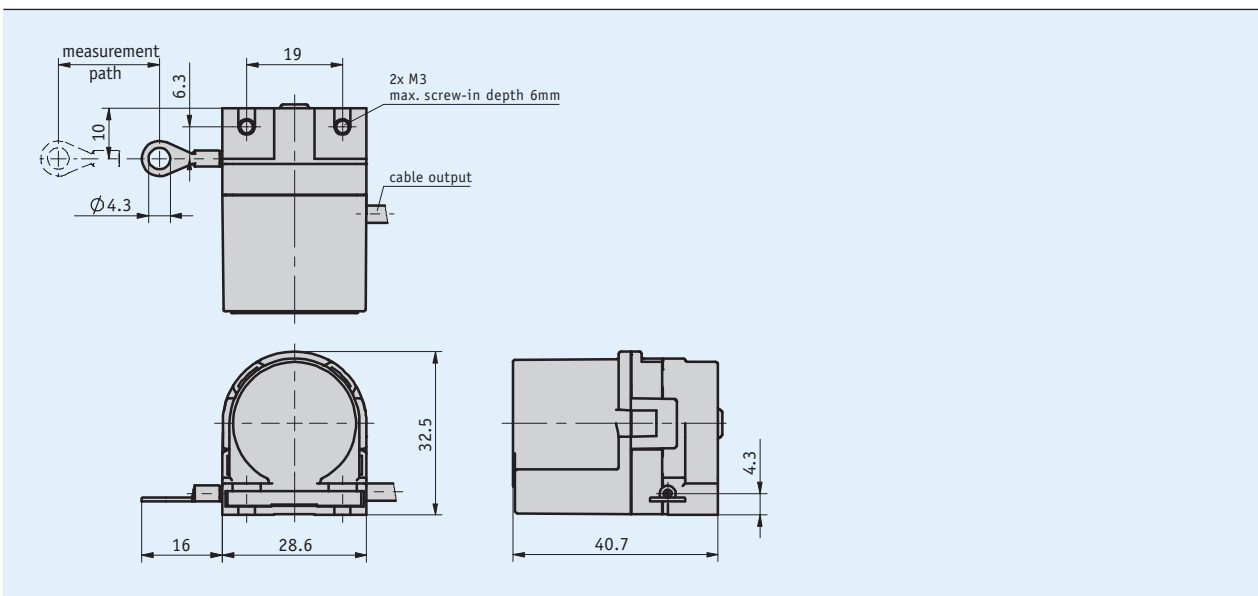


Profile

- Very small design
- Universally applicable thanks to standardized interfaces
- Easy mounting
- Measurement lengths up to max. 600 mm
- Potentiometer, voltage or power output
- Housing made of reinforced plastic



Mechanical data

| Feature | Technical data | Additional information |
|-------------------|-------------------------|--|
| Housing | reinforced plastic | |
| Wire design | ∅0.36 mm | steel wire (stainless), plastic coated |
| Extension force | ≥3 N | |
| Absolute accuracy | ±0.35 % (potentiometer) | relating to measuring length (mm) |
| Cable length | ≤15 m | P10 encoder type |
| | ≤30 m | MWI encoder type |
| | ≤20 m | MWU encoder type |
| Weight | ~0.06 kg | |

Electrical data

■ Encoder potentiometer

| Feature | Technical data | Additional information |
|----------------------|----------------|------------------------|
| Power rating | 2 W at 70 °C | |
| Resistance | 10 kΩ | |
| Resistance tolerance | ±5 % | |
| Linearity tolerance | ±0.25 % | |

■ Transducer, power output

| Feature | Technical data | Additional information |
|-------------------|--------------------|----------------------------|
| Operating voltage | 24 V DC $\pm 20\%$ | at $\leq 500\ \Omega$ load |
| Output current | 4 ... 20 mA | |

■ Transducer, voltage output

| Feature | Technical data | Additional information |
|-------------------|----------------------|--------------------------------------|
| Operating voltage | 15 ... 28 V DC | at 3 mA, no load |
| Output voltage | 0 ... 10 V DC | $I_{\text{Load}} \leq 10\ \text{mA}$ |
| Load | $\leq 10\ \text{mA}$ | |

*Measurement transducers permit optimum adjustment of the output current and output voltage to the measuring range. The measurement transducer is pre-set at the works so that an output signal of 4 ... 20 mA (MWI) or 0 ... 10 V DC (MWU) is available.

System data

| Feature | Technical data | Additional information |
|-----------------|-------------------------|------------------------|
| Repeat accuracy | $\pm 0.15\ \text{mm}$ | |
| Travel speed | $\leq 800\ \text{mm/s}$ | |

Ambient conditions

| Feature | Technical data | Additional information |
|---------------------|---------------------|--|
| Ambient temperature | -10 ... 80 °C | |
| Relative humidity | | condensation inadmissible |
| Protection category | IP50 (encoder part) | EN 600529; with cable connected in the factory |

Pin assignment

■ Potentiometric outputs P10

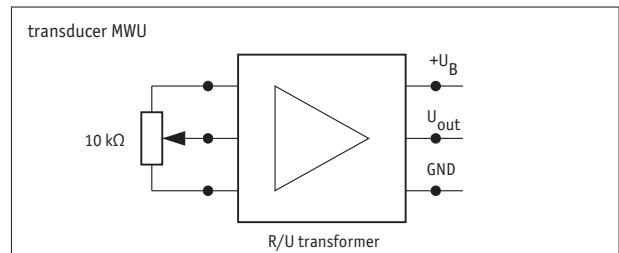
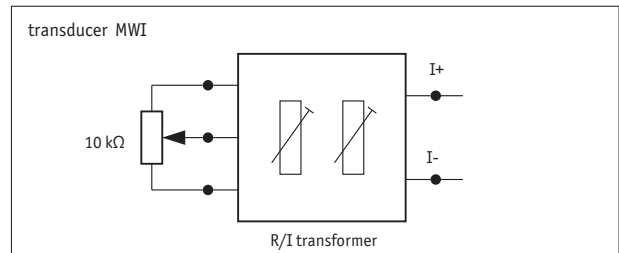
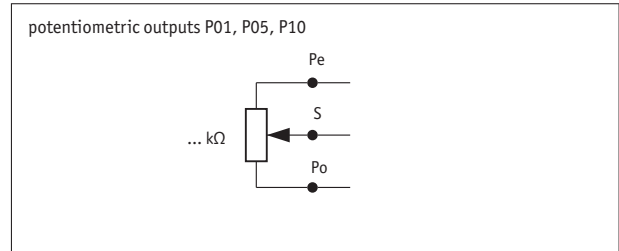
| Signal | E1 (terminal) |
|--------|---------------|
| Po | brown |
| Pe | white |
| S | green |

■ MWI transducer

| Signal | Cable color |
|--------|-------------|
| I+ | brown |
| I- | white |

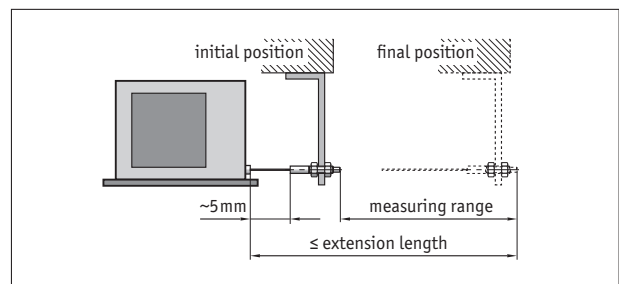
■ MWU transducer

| Signal | Cable color |
|------------------|-------------|
| +24 V DC | brown |
| GND | white |
| U _{out} | green |



Hint for mounting

When securing the wire it must be ensured that the wire is straight and vertical in relation to the wire outlet.
 Recommendation: Only select the starting position after an unwound length of approx. 5 mm. This prevents the wire hitting the end stop when it is rewound.



symbolic depiction

Order

Ordering table

| Feature | Ordering data | Specification | Additional information |
|-----------------|---------------|-----------------------------|--|
| Measuring range | 300M | 300 mm | Transducer setting, only with MWI or MWU encoder types |
| | 600 | 600 mm | |
| Encoder type | P10 | potentiometer with 10 kΩ | |
| | MWI | transducer 4 ... 20 mA | |
| | MWU | transducer 0 ... 10 V | |
| | | others on request | |
| Cable length | OK | without cable | |
| | 0.5 | 0.5 m | |
| | ... | 1 ... 15 m, in steps of 1 m | |

Order key

SG5 - - -

Scope of delivery: SG5

Accessories:
 Electronic display MA50
 Guide roller UR

www.siko-global.com
www.siko-global.com