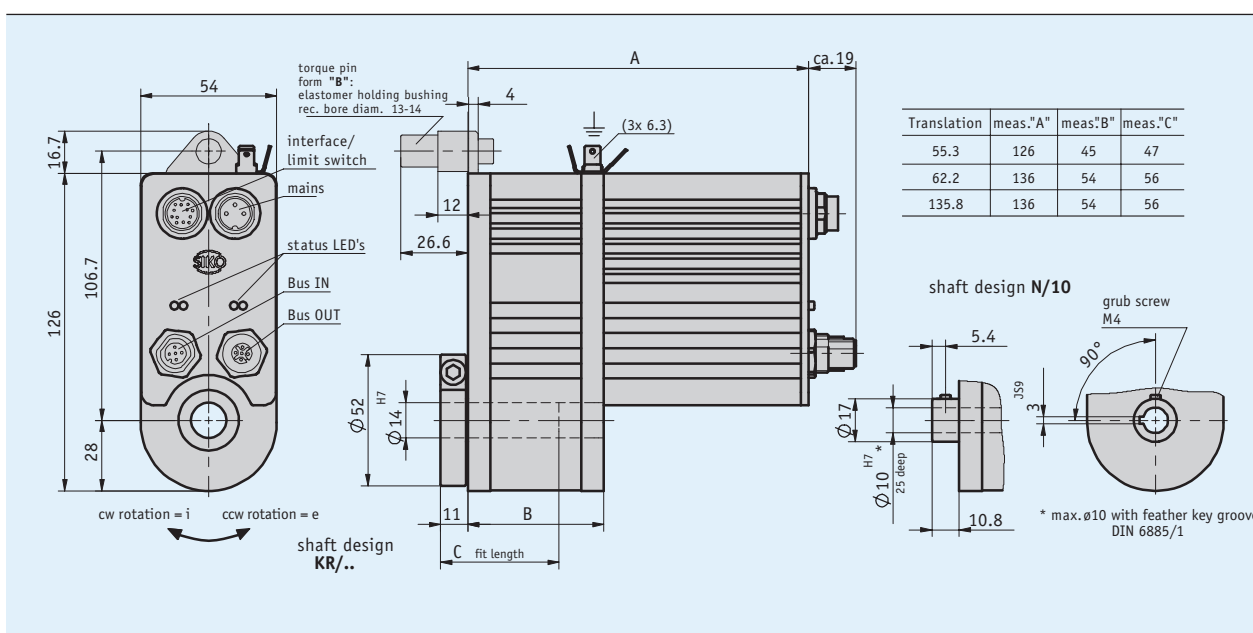


Profile

- Easy mounting
- Through hollow shafts up to max. $\varnothing 14$ mm
- Integrated absolute position encoder on the output shaft
- Integrated positioning controller
- Integrated fieldbus interface (option)



Mechanical data

Feature	Technical data	Additional information
Shaft	black-finished steel	
Housing	aluminum	
Nominal torque/rated speed	5 Nm at 80 rpm	i = 55.3 (70 W-M motor)
	6 Nm at 70 rpm	i = 62.2 (70 W-M motor)
	9 Nm at 35 rpm	i = 135.8 (70 W-M motor)
Operating mode	S3 intermittent operation: 25 % DC, 10 min.	EN 60034-1
Weight	~1.2 kg	(Fieldbus)

Electrical data

Motor

Feature	Technical data	Additional information
Operating voltage	24 V DC $\pm 10\%$	reverse polarity protected, fieldbus
Power input	70 W	
Parameter storage	10^5 cycles $\pm 4\%$ (70 W-M motor)	also applies to calibration operations (only ABM)
Rated current	2.9 A	max. load current $i = 55.3 / i = 62.2$
	2.1 A $\pm 4\%$ (70 W-M motor)	max. load current $i = 135.8$
Type of connection	2x M16 plug connectors	3-pole, 1x pin; 12-pole, 1x pin
	-2x M12 plug connectors (A-coded)	5-pole, 1x pin; 5-pole, 1x socket (CAN)
	2x M12 plug connectors (B-coded)	5-pole, 1x pin; 5-polig, 1x socket (PB)

System data

Feature	Technical data	Additional information
Resolution	1600 steps/revolution	ABM P10 position encoder
Travel range	± 6250 revolution(s) (multiturn)	ABM position encoder

Ambient conditions

Feature	Technical data	Additional information
Ambient temperature	0 ... 50 °C	
Storage temperature	-20 ... 60 °C	
Relative humidity		condensation inadmissible
EMC	EN 61800-3, second environment	interference resistance / immission
	EN 61800-3, C3	emitted interference / emission
Protection category	IP50	EN 60529, mating connectors mounted
Shock resistance	500 m/s ² , 11 ms	EN 60068-2-27
Vibration resistance	100 m/s ² , 5 ... 150 Hz	EN 60068-2-6

Pin assignment

Voltage supply

Signal	PIN
+Ub	1
N.C.	2
-Ub	3

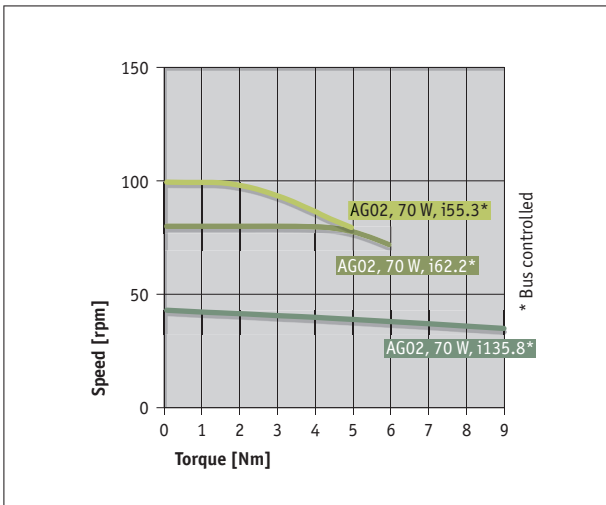
Fieldbus

Profibus-DP	CANopen	PIN
+5 V DC	N.C.	1
BUS A	N.C.	2
GND	CAN_GND	3
BUS B	CAN_H	4
N.C.	CAN_L	5

Interface/limit switch

Signal	PIN
ES1	A
ES2	B
Enable (24 V DC)	C
nc	D
+24 V DC	E
nc	F
RXD/DÜA	G
TXD/DÜB	H
GND/serial interface	J
GND (ES1, ES2, Emergency-off, CAL)	K
CAL	L
GND	M

Performance curve



Order

■ **Ordering table**

Feature	Ordering data	Specification	Additional information
Gear ratio	55.3	i = 55.3	
	62.2	i = 62.2	
	135.8	i = 135.8	
Shaft design	KR/14	clamping ring, ø14 mm	
	N/10	keyway, ø10 mm	with i=55.3, other transmissions on request
Torque pin	B	lug	incl. elastomer bushing
	OD	without	
Interface	S1/00	RS232, standard, electronic control unit	
	S3/00	RS485, standard, electronic control unit	
Fieldbus	OFB	without fieldbus	
	PB	Profibus-DP	
	CAN	CANopen	

■ **Order key**

AG02 Fieldbus - A - 70W-M - B - D - C - LA - ABM - OMS - D - E - SW

Scope of delivery: AG02 Fieldbus, Mounting instructions, Documentation on CD

Accessories:

Cable extension KV02S0

Cable extension KV12S0

Programming Tool PT232

Cable adaptor KA232

Programming Tool PT485

Cable adaptor KA485

Programming software ProTool DL

Mating Connector Overview

Mating connector, motor/voltage supply, 3-pole, socket

Mating connector, motor/voltage supply, 3-pole, angle socket

Mating connector, encoder, 12-pole, socket

Mating connector, encoder, 12-pole, angle socket

Mating connector, Profibus IN, 5-pole, socket

Mating connector, Profibus IN, 5-pole, angle socket

Mating connector, Profibus OUT, 5-pole, pin

Mating connector, Profibus OUT, 5-pole, angular pin

Mating connector, CANopen IN, 5-pole, socket

Mating connector, CANopen IN, 5-pole, angle socket

Mating connector, CANopen OUT, 5-pole, pin

Mating connector, CANopen OUT, 5-pole, angular pin

Bus terminating connector, Profibus, 5-pole, pin

Bus terminating connector, CANopen, 5-pole, pin

www.siko-global.com

www.siko-global.com

www.siko-global.com

www.siko-global.com

www.siko-global.com

www.siko-global.com

www.siko-global.com

www.siko-global.com

Order key 82182

Order key 81363

Order key 76572

Order key 79666

Order key 83991

Order key 82804

Order key 83992

Order key 82805

Order key 84109

Order key 83006

Order key 84732

Order key 83007

Order key 82816

Order key 82815