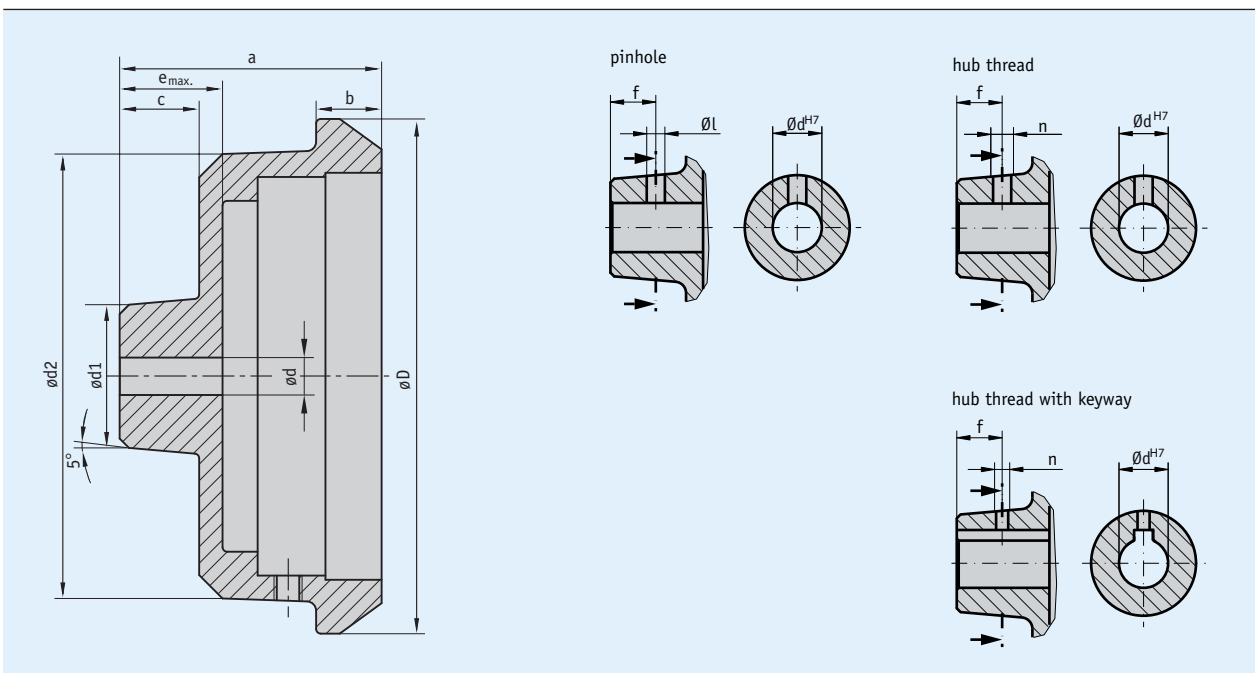


## Profile

- Various sizes
- Plastic-coated or bright-finished surface
- Various hub versions



## Mechanical data

Feature	Technical data	Additional information
Material	aluminum	
Weight	0.2 kg	HST7
	0.2 kg	HST8
	0.5 kg	HST11

## Table of dimensions

Type	øD	ødv	ødx	ød1	ød2	a	b	c	e	Suitable for
HST7	78	5.8	20	32	60	50	20	15	20	S50/1
HST8	75	5.8	12	20	60	43	10	10	13	S50/1
HST11	110	6.8	16	30	95	56	14	17	22	S80/1; SZ80/1

ødv = d prebored; ødx = d max.

■ **Special treatment**

Handwheel type	HST7					HST8		
	Bore dH7	6 ... 8	9, 10	11, 12	13 ... 16	17 ... 20	6 ... 8	9, 10
Groove width with keyway JS9		3	4	5			3	
Pin hole	3.8/10	3.8/10	3.8/10	4.8/10	4.8/10	3.8/6	3.8/6	3.8/6
Hub thread without keyway JS9	M4/10	M4/10	M4/10	M6/10	M6/10	M4/6	M4/6	M4/6
Hub thread with keyway JS9		M3/10	M3/10	M4/10				

Handwheel typ	HST11				
	Bore dH7	7, 8	9, 10	11, 12	13 ... 15
Groove width with keyway JS9		3	4	5	5
Pin hole	3.8/12	3.8/12	3.8/12	4.8/12	4.8/12
Hub thread without keyway JS9	M4/12	M4/12	M4/12	M6/12	M6/12
Hub thread with keyway JS9		M3/12	M3/12	M4/12	

Texts highlighted in orange color are ordering features

## Order

### Ordering information

One or more system components are required:

Analog position indicator S50/1  
Analog position indicator S80/1

[www.siko-global.com](http://www.siko-global.com)  
[www.siko-global.com](http://www.siko-global.com)

### Ordering table

Feature	Ordering data	Specification	Additional information
handwheel type	7	HST7	
	8	HST8	
	11	HST11	
Surface	B	unpainted	
	CS	plastic-coated, black matt	not with HST7
		others on request	
Bore diameter	5.8	prebored	only with HST7, HST8
	6.8	prebored	only with HST11
	...	6 ... 20 mm, in steps of 1 mm	see Table of dimensions, maximum value ødx
Feather key groove	OP	without keyway	
	JS9	light seat	according to DIN 6885/1 T1
	P9	tight fit	according to DIN 6885/1 T1
Pinhole	OS	without pin hole	
	...	diameter "øl"/measure "f" (e.g. 3.8/12)	see table Special processing, depending on the handwheel type, only if keyway is "OP", only if hub thread is "ONG"
		others on request	
Hub thread	ONG	without hub thread	
	...	thread "n"/measure "f" (e.g. M4/12)	see table Special processing, depending on the handwheel type, only if pin hole is "OS"
		others on request	
Tapered hub	OAN	without turned hub	
		others on request	
Position indicator	PM	position indicator mounted	separate ordering of a position indicator required!
	PS	position indicator separate	separate ordering of a position indicator required!

### Order key



Scope of delivery: HST...

Accessories:  
End Plate AD

[www.siko-global.com](http://www.siko-global.com)