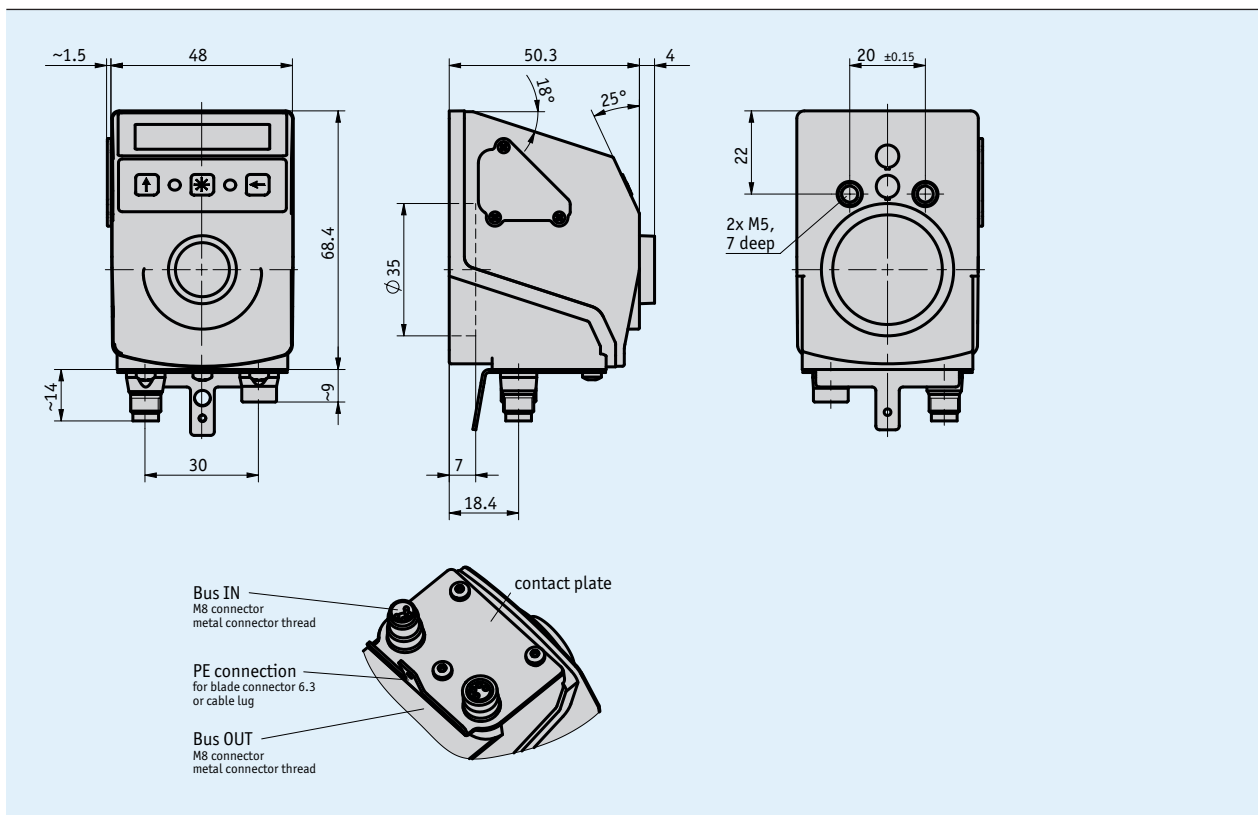


Profile

- Setpoint display with bus interface without measurement of actual value
- Large control key to confirm target value
- Optimally readable backlit display
- Two-line LCD-Display
- Integrated RS485 interface, CAN bus as an option
- User guidance via bicolor status LEDs
- IP53 type of protection, IP65 as an option



Mechanical data

Feature	Technical data	Additional information
Housing	reinforced plastic	metal plug thread
Color	black, RAL 9005	
Weight	~0.09 kg	

Electrical data

Feature	Technical data	Additional information
Operating voltage	24 V DC $\pm 20\%$	
Current consumption	~ 30 mA	additional ~ 3 mA per LED when operated with LEDs
Power input	~ 0.72 VA	Max. power supply of the power supply unit used: 100 VA. The power supply used corresponds to SELV/Limited Energy (IEC 61010-1) or SELV/LPS (IEC 60950-1) or Class 2 (UL 1310).
Parameter storage	10^5 cycles	also applies to calibration operations
Display/display range	6-digit LCD 14-segment, ~ 8 mm height	decimal points, 2 rows, (backlit LED red/white)
Status display	2x two-color LED (red/green)	acknowledgment status, configurable
Keys	acknowledgment, parameterization	
Bus connection	RS485; CANopen	no galvanic isolation
Type of connection	2x M8-plug connectors (A-coded) grounding via flat male tab 6.3 mm or terminal lug	4-pole, 1x socket, 1x pin

System data

Feature	Technical data	Additional information
Approval	UL	UL 61010-1, File No. E503367

Ambient conditions

Feature	Technical data	Additional information
Ambient temperature	0 ... 60 °C	
Storage temperature	-20 ... 80 °C	
Relative humidity		condensation inadmissible
EMC	EN 61326-1	Industry immunity requirement, class B emission limit
Safety regulations	DIN EN 61010-1 (VDE 0411-1), UL 61010-1	Limited power supply according to DIN EN 61010-1 Section 9.4. Protection class II Surge category II Pollution level 2
Protection category	IP53 IP65	EN 60529, only with mating connector EN 60529, only with mating connector
Shock resistance	500 m/s ² , 11 ms	EN 60068-2-27
Vibration resistance	100 m/s ² , 5 ... 150 Hz	EN 60068-2-6

Pin assignment

■ Interfaces

RS485	CAN bus	PIN
TxRx-/DÜB	CANL	1
TxRx+/DÜA	CANH	2
+24 V DC	+24 V DC	3
GND	GND	4

Order

Ordering table

Feature	Ordering data	Specification	Additional information
Interface/protocol	S3/09	A RS485/SIKONETZ5	
	CAN	A CANopen	
Protection category	IP53	B IP53	
	IP65	B IP65	
Viewing window	SF	C front foil	
	K	C plastic	impact protection

Order key



Scope of delivery: AP10T, Mounting instructions, Documentation on CD

Accessories:

Cable extension KV04S1	www.siko-global.com
Mating Connector Overview	www.siko-global.com
Mating connector, 4-pole, socket	Order key 84209
Mating connector, 4-pole, pin	Order key 84210
Bus terminating connector, 4-pole, pin	Order key BAS-0005