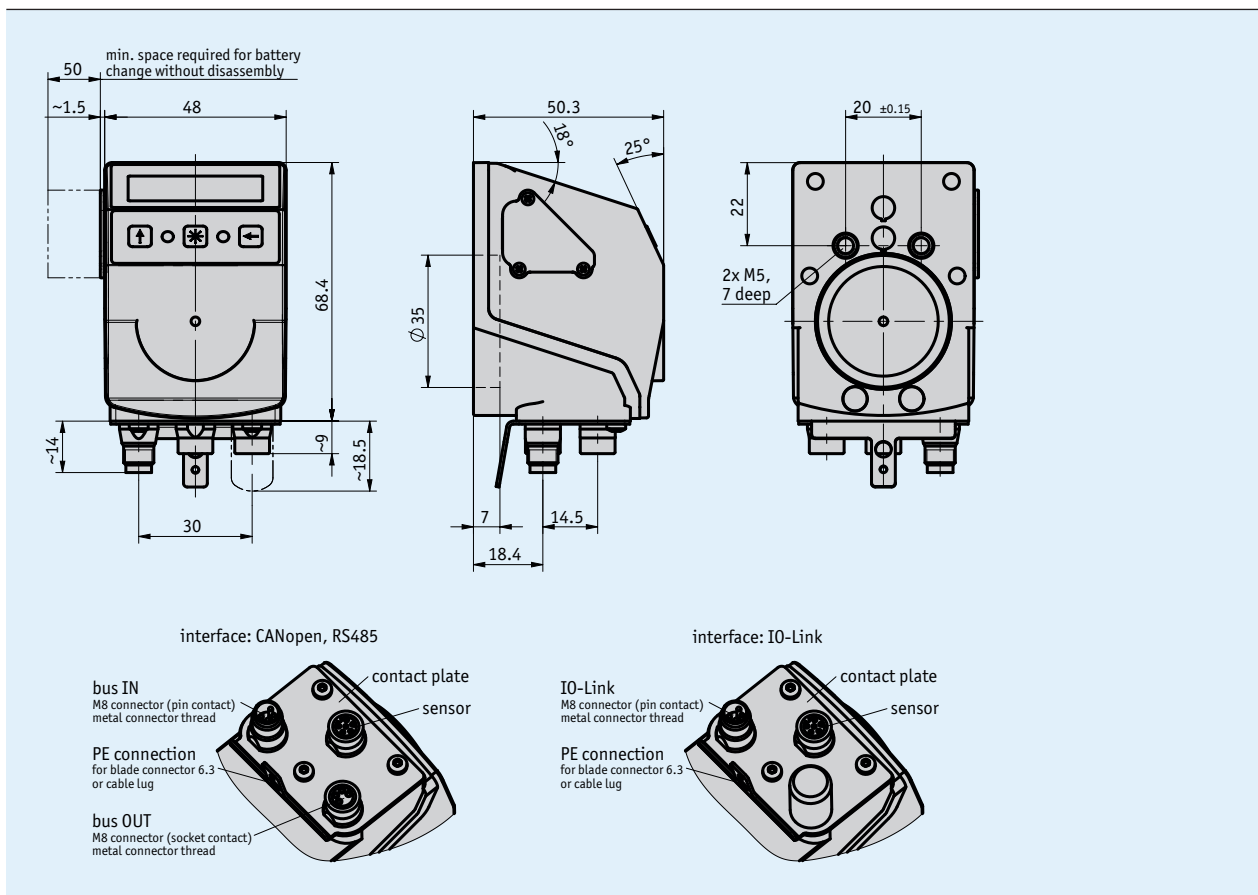


Profile

- Electronic position indicator with plug connection for magnetic sensor
- Optimally readable backlit display
- Two-line LCD for target and actual values
- Reset, incremental measurement, offset via keyboard
- Integrated RS485 interface, CAN bus or IO-Link as an option
- Display accuracy up to 0.01 mm
- Absolute function via internal backup
- User guidance via bicolor status LEDs
- IP53 type of protection, IP65 as an option



Mechanical data

Feature	Technical data	Additional information
Housing	reinforced plastic	metal plug thread
Color	black, RAL 9005	
Weight	~0.11 kg	

Electrical data

Feature	Technical data	Additional information
Operating voltage	24 V DC $\pm 20\%$	
Current consumption	~ 30 mA	additional ~ 3 mA per LED when operated with LEDs
Power input	~ 0.72 VA	Max. power supply of the power supply unit used: 100 VA. The power supply used corresponds to SELV/Limited Energy (IEC 61010-1) or SELV/LPS (IEC 60950-1) or Class 2 (UL 1310).
Battery service life	~ 5 year(s)	
Parameter storage	10^5 cycles	also applies to calibration operations
Display/display range	6-digit LCD 14-segment, ~ 8 mm height	decimal points, 2 rows, special characters (backlit LED red/white)
Special character	cw arrow, ccw arrow, incremental measurement, battery	
Status display	2x two-color LED (red/green)	position status, configurable
Keys	incremental measurement function, parameterizing, resetting	
Interface	RS485; CANopen; IO Link	no galvanic isolation
Type of connection	2x M8-plug connectors (A-coded)	4-pin, 1x socket, 1x pin (RS485, CANopen)
	1x M8 connector (A-coded)	4-pin, 1x pin (IO-Link)
	1x M8 plug connector (A-coded)	6-pole, 1x socket (sensor)
	grounding via flat male tab 6.3 mm or terminal lug	

System data

Feature	Technical data	Additional information
Scanning	external sensor	
Resolution	720 increments/revolution	displayed value/rotation freely configurable (use with GS04)
	0.01 mm	use with MS500H
System accuracy	± 35 μ m	use with MS500H
Measuring range	± 655 m	use with MS500H
	≤ 14562 revolution(s)	use with GS04
Approval	UL	UL 61010-1, File No. E503367 (not IO-Link)

Ambient conditions

Feature	Technical data	Additional information
Ambient temperature	0 ... 60 °C	
Storage temperature	-20 ... 80 °C	
Relative humidity		condensation inadmissible
EMC	EN 61326-1	Industry immunity requirement, class B emission limit
Safety regulations	DIN EN 61010-1 (VDE 0411-1), UL 61010-1 (not IO-Link)	Limited power supply according to DIN EN 61010-1 Section 9.4. Protection class II Surge category II Pollution level 2
Protection category	IP53	EN 60529, only with mating connector
	IP65	EN 60529, only with mating connector
Shock resistance	500 m/s ² , 11 ms	EN 60068-2-27
Vibration resistance	100 m/s ² , 5 ... 150 Hz	EN 60068-2-6

Pin assignment

■ Interfaces

RS485	CAN-Bus	IO-Link	PIN
TxRx-/DÜB	CANL	L+ (+UB)	1
TxRx+/DÜA	CANH	nc	2
+UB	+UB	L- (GND)	3
GND	GND	C/Q	4

Order

Ordering information

One or more system components are required:

Magnetic sensor MS500H PL
Hollow shaft sensor GS04

www.siko-global.com
www.siko-global.com

Ordering table

Feature	Ordering data	Specification	Additional information	
Interface/protocol	CAN	CANopen		
	S3/09			RS485/SIKONETZ5
	IOL			IO-Link
Protection category	IP53	IP53		
	IP65			IP65
Viewing window	SF	front foil	impact protection	
	K	plastic		

Order key

AP10S - A - B - EX - C - S

Scope of delivery: AP10S, Mounting instructions, Documentation on CD

Accessories:

Battery unit ZB1027 www.siko-global.com
 Cable extension KV04S1 www.siko-global.com
 Easy Touch Control ETC5000 www.siko-global.com
 Mating Connector Overview www.siko-global.com
 Mating connector, 4-pole, socket Order key 84209
 Mating connector, 4-pole, pin Order key 84210
 Bus terminating connector, 4-pole, pin Order key BAS-0005