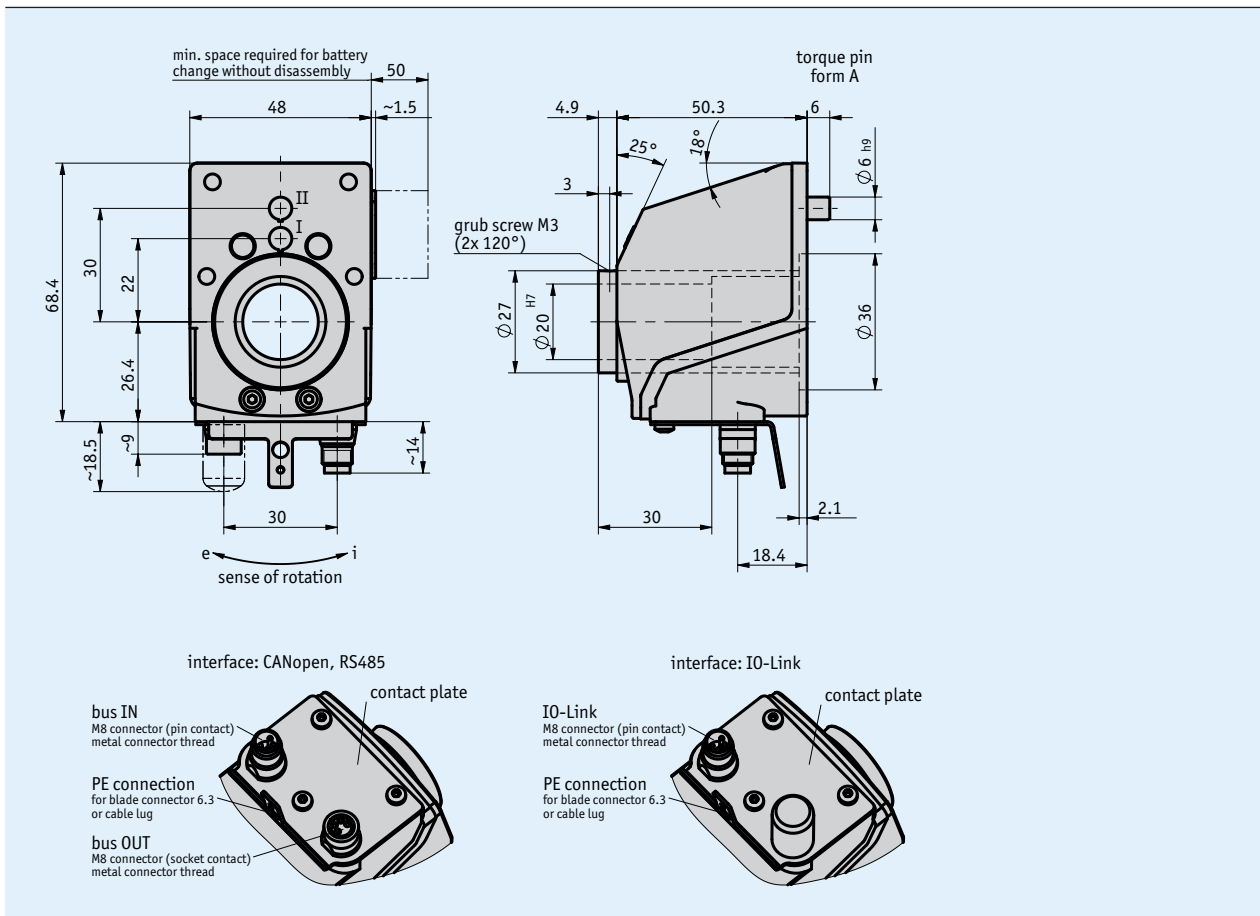


Profile

- Electronic position indicator with interface
- Stainless-steel hollow shaft $\varnothing 20$ mm, up to $\varnothing 25.4$ mm as an option
- Backlit display
- Two-line LCD for target and actual values
- Reset, incremental measurement, offset via keyboard
- Integrated RS485 interface, CAN bus or IO-Link as an option
- Robust sensor technology unit thanks to magnetic scanning
- User guidance through status LEDs
- Mechanically compatible with the DA09S position indicator
- IP53 type of protection, IP65 as an option



Mechanical data

Feature	Technical data	Additional information
Shaft	stainless steel	
Housing	reinforced plastic	metal plug thread
Color	black, RAL 9005	
Speed	≤ 500 rpm	
Weight	~ 0.2 kg	

Electrical data

Feature	Technical data	Additional information
Operating voltage	24 V DC $\pm 20\%$	
Current consumption	~ 30 mA	additional ~ 3 mA per LED when operated with LEDs
Power input	~ 0.72 VA	Max. power supply of the power supply unit used: 100 VA. The power supply used corresponds to SELV/Limited Energy (IEC 61010-1) or SELV/LPS (IEC 60950-1) or Class 2 (UL 1310).
Battery service life	~ 5 year(s)	
Parameter storage	10^5 cycles	also applies to calibration operations
Display/display range	6-digit LCD 14-segment, ~ 8 mm height	decimal points, 2 rows, special characters (backlit LED red/white)
Special character	cw arrow, ccw arrow, incremental measurement, battery	
Status display	2x two-color LED (red/green)	position status, configurable
Keys	incremental measurement function, parameterizing, resetting	
Interface	RS485; CANopen; IO Link	no galvanic isolation
Type of connection	2x M8-plug connectors (A-coded) 1x M8 connector (A-coded) grounding via flat male tab 6.3 mm or terminal lug	4-pin, 1x socket, 1x pin (RS485, CANopen) 4-pin, 1x pin (IO-Link)

System data

Feature	Technical data	Additional information
Scanning	magnetic	
Resolution	880 increments/revolution	displayed value/rotation freely configurable
Measuring range	≤ 11914 revolution(s)	
Approval	UL	UL 61010-1, File No. E503367 (not IO-Link)

Ambient conditions

Feature	Technical data	Additional information
Ambient temperature	0 ... 60 °C	
Storage temperature	-20 ... 80 °C	
Relative humidity		condensation inadmissible
EMC	EN 61326-1	Industry immunity requirement, class B emission limit
Safety regulations	DIN EN 61010-1 (VDE 0411-1), UL 61010-1 (not IO-Link)	Limited power supply according to DIN EN 61010-1 Section 9.4. Protection class II Surge category II Pollution level 2
Protection category	IP53 IP65	EN 60529, only with mating connector EN 60529, only with mating connector
Shock resistance	500 m/s ² , 11 ms	EN 60068-2-27
Vibration resistance	100 m/s ² , 5 ... 150 Hz	EN 60068-2-6

Pin assignment

■ Interfaces

RS485	CAN-Bus	IO-Link	PIN
TxRx-/DÜB	CANL	L+ (+UB)	1
TxRx+/DÜA	CANH	nc	2
+UB	+UB	L- (GND)	3
GND	GND	C/Q	4

Order

Ordering table

Feature	Ordering data	Specification	Additional information
Interface/protocol	CAN	CANopen	
	S3/09	RS485/SIKONETZ5	
	IOL	IO Link	
Hollow shaft/diameter	20	ø20 mm	
	25.4	ø25.4 mm	
Torque pin/position	II	30 mm distance	
	I	22 mm distance	optional
Protection category	IP53	IP53	
	IP65	IP65	
Viewing window	SF	front foil	
	K	plastic	impact protection

Order key



Scope of delivery: AP10, Mounting instructions

Accessories:

- Battery unit ZB1027 www.siko-global.com
- Clamping plate KPL09 www.siko-global.com
- Pneumatic clamping plate KP09P www.siko-global.com
- Reduction sleeve RH09 www.siko-global.com
- Cable extension KV04S1 www.siko-global.com
- Easy Touch Control ETC5000 www.siko-global.com
- Mating Connector Overview www.siko-global.com
- Mating connector, 4-pole, socket Order key 84209
- Mating connector, 4-pole, pin Order key 84210
- Bus terminating connector, 4-pole, pin Order key BAS-0005