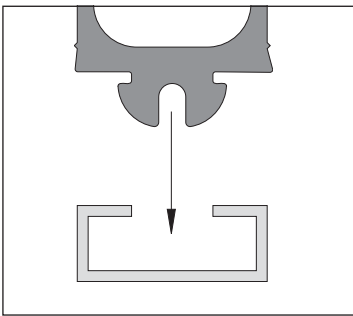


Assembly Instructions for Safety Edges

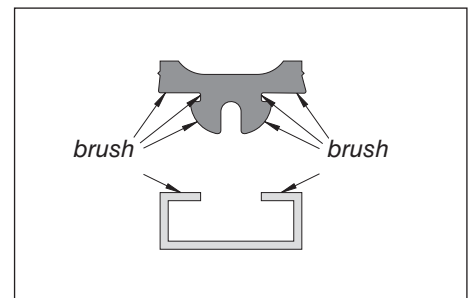


Fitting the rubber profile to the C-rail

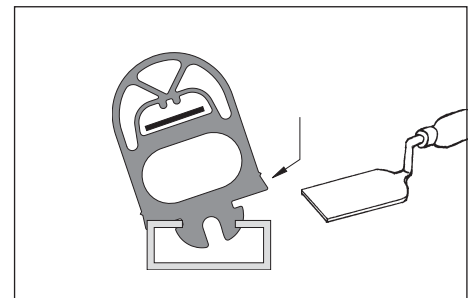
GP 22 / GP 39 / GP 39 L / GP 50 / GP 50 L / GP 50 OSL / GP 60 / GP 120

In 3 steps ...

1. Liberally brush diluted washing-up liquid onto the C-rail and the foot of the rubber profile (GP).



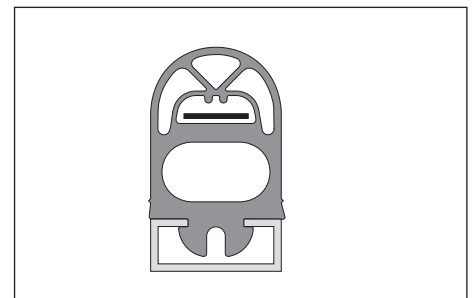
2. Press the first 30 - 40 cm of one side of the rubber profile foot into the C-rail.



3. Gradually clip in the other long side of the GP by pressing it firmly with your thumb or using a spatula.

Repeat these 3 steps for the next 40 - 80 cm until the entire rubber profile is fitted to the C-rail.

Then, to check that the rubber profile is fitted properly, press a few times along the entire length.

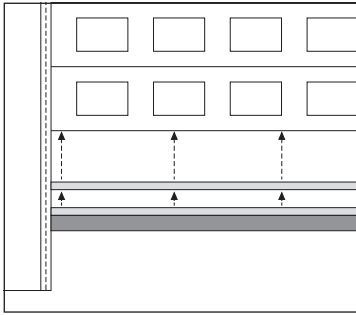


WARNING!

To avoid damaging the rubber profile (GP) and Safety Element

- × **do not shorten** it by cutting it;
- × **do not pull** the cable;
- × **do not pull** the GP onto the C-rail;
- × **do not bend** or **roll** the GP;
- × **do not hammer** the GP into the C-rail with a hammer.

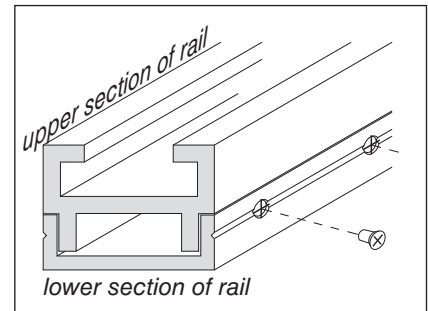
Assembly Instructions for Safety Edges



Fixing the CM-rail to the closing edge

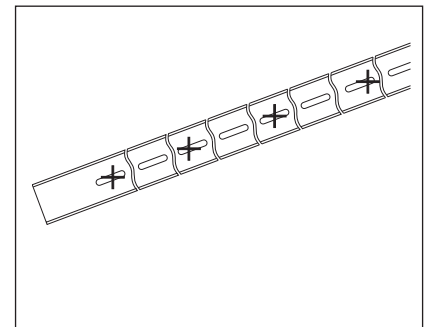
Preparation

- Insert upper section of rail into lower section of rail.
- Look to check whether the rails are aligned properly.
- On each side, mark, pre-drill and drill a borehole (\varnothing 2.5 mm for M3x8).
- Insert and tighten 2 safety screws.
- On both sides, mark and drill countersunk holes every 50 to 80 cm (along the groove).



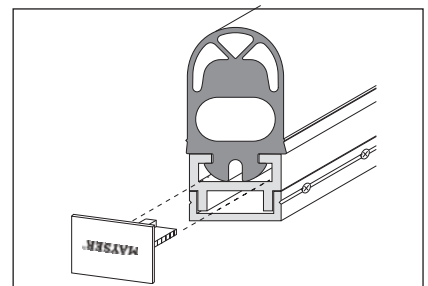
Mount lower section of rail

- Remove lower section of rail from upper section.
- Place onto closing edge.
- Make sure the assembly surface has no significant bumps.
- For each second or third oblong hole, mark and drill a borehole
- Mount with countersunk or socket-head screws up to size M5.

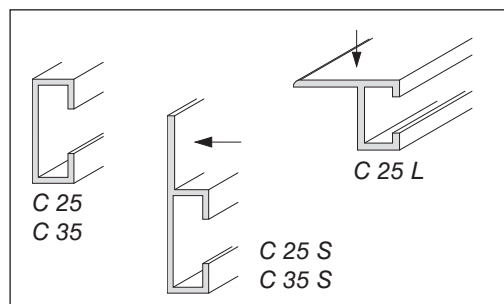


Mount upper section of rail

- Insert rubber profile fitted to upper section of rail into lower section of rail.
- Look to check whether the rails are aligned properly.
- Re-insert and tighten safety screws.
- Insert end plug in the ends of the rail upper section in such a way that the rail lower section is also covered.



Further rails:



Apart from rails C 35 M and C25 M, the rails illustrated on the left are also available. Simply drill holes at the arrows and attach them to the closing edge