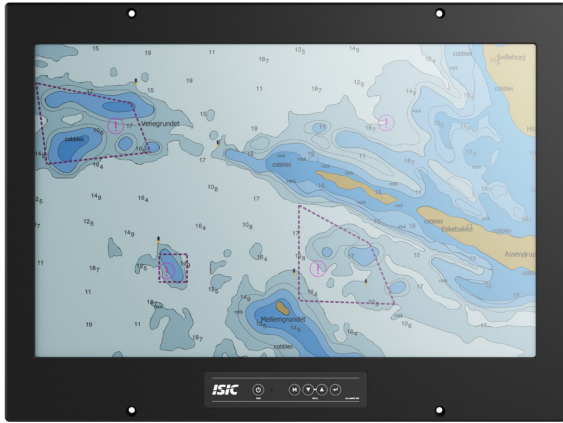


# DuraMON 26" C-Line

Wide Screen Monitor for Radar & ECDIS



DuraMON 26" C-Line monitors are designed for marine, naval and other demanding environments where reliable and durable hardware is required. Applicable for CAT 1 Radar.

The C-Line product family has a long track record in the market and features integrated membrane keys for dimming and is mountable from the front.

- ✓ 60945 Type Approval
- ✓ ECDIS Applications
- ✓ Radar Applications

## Mechanical outline

DuraMON 26" C-Line

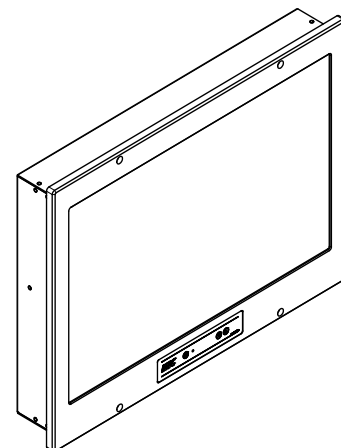
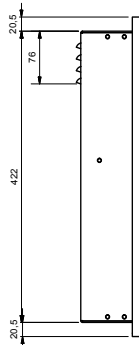
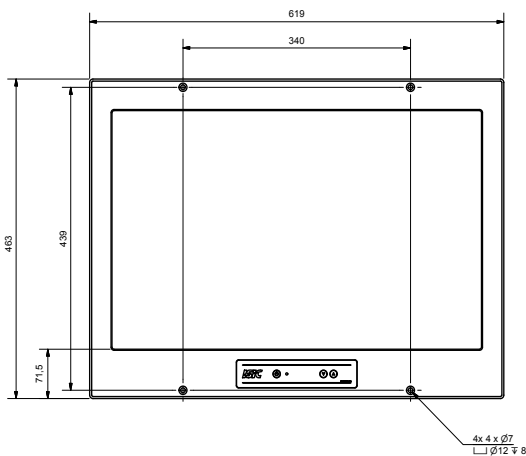
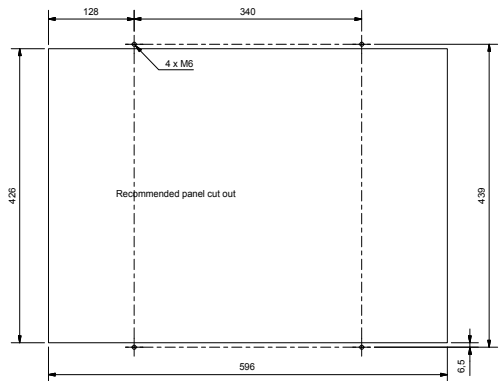
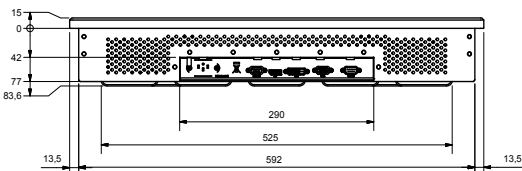


Table and wall brackets - ISIC PN 05300-000 & 05299-000

Changes may occur - for latest please contact sales@isic.dk

# Specifications DuraMON 26" C-Line

## Display properties

Size	25.5" wide screen
Aspect ratio	16:10
Active area	550.0 x 343.8 mm
Luminance	350 Cd/m2
Contrast	1500:1
Native resolution	1920 x 1200 (full HD)
View angle	88° (L/R/T/B) typical
Glass	Anti reflection coated front glass

## Input/output terminals

VGA video input	1 x 15p D-sub female
DVI-D video input	1 x DVI-D Dual link connector female
DP video input	1 x DP 1.2 connector female
Serial RS232	1 x 9p D-sub female - remote control
Serial RS422/485	1 x 9p D-sub female, optional
Audio Buzzer	None

## Operator interface front panel

Power	Power on/off (press for 5 sec. to turn off)
Menu	Get OSD menu
Up	Navigate menu / adjust backlight up
Down	Navigate menu / adjust backlight down
Enter	Navigate menu / enter set value

## Power supply / power consumption

AC power	90 - 264 VAC 50 - 60Hz
DC power	18 - 36 VDC
Typ. Consumption	50 W
Max. Consumption	60 W

## Physical dimensions

Dimensions	619 (W) x 465 (H) x 98 (D) mm
Dimensions in box	690 (W) x 530 (H) x 190 (D) mm
Weight	12 kg
Weight in box	14 kg

## Environmental

Operating temp.	- 15 to 55° C
Storage temp.	- 25 to 70° C
Humidity	8 to 95% relative humidity
Protection	IP65 from front - IP20 from rear
Materials encl.	Seawater resistant aluminum
Surface treatment	Black Powder coating RAL 9005

## Options & accessories

Touch	Not available
ECDIS	Colour calibration for ECDIS applications
RS 422/485	Optional extra COM port
Wall bracket	Wall mount bracket (05299-000)
Table bracket	Table/Ceiling mount bracket (05300-000)

## Approvals & Certificates

CE mark	EN 61000-6-2 & EN 61000-6-4
Marine	IACS E10 rev. 8 & IEC 60945 ed. 4
ECDIS	IEC 61174 ed. 4
Radar Navigation	IEC 62388 ed. 2 & IEC 62288 ed. 2
Certificate	DNV Mutual Recognition
Compass SD	225 cm (stand.) 135 cm (steer.)