

# IPPC-5211WS

## 21.5" Full HD TFT LED LCD Industrial Multi-Touch Panel PC with Stainless Steel Chassis and IP69K Rating



### Features

- Stainless steel chassis with IP69K rating for dust and water ingress
- Full range of configurable accessories for diverse applications
- Intel® Celeron® J1900 processor
- 21.5" Full HD TFT LED LCD
- Wide operating temperature range (0 ~ 50 °C/32 ~ 122 °F)
- 16:9 widescreen aspect ratio with PCAP multi-touch control
- Supports iDoor or external antenna integration
- Built-in function key and home key for intuitive operation
- True-flat glass front panel with 7H hardness
- Fanless cooling system
- Front-facing LED indicators to show operating status
- Supports Advantech's SNMP Subagent software

### Introduction

The IPPC-5211WS 21.5" fully sealed stainless steel multi-touch panel PC is IP69K rated and has a full range of modular accessories aimed at OEM and process manufacturing. With the inclusion of iDoor technology, iKey, and an external antenna, IPPC-5211WS supports special functions and can provide the superior performance and functionality required for machine-to-machine (M2M) and Internet of Things (IoT) applications. To ensure reliable operation in harsh environments, IPPC-5211WS is IP69K rated for protection from water and dust ingress. Moreover, the IPPC-5211WS system also supports one-touch shutdown to prevent unauthorized operation for improved security.

### Specifications

#### General

- BIOS** AMI UEFI
- Certification** IP69K, CE, FCC Class A, UL, CCC, BSMI
- Cooling System** Fanless design
- Dimensions (W x H x D)** 555 x 346.5 x 81 mm (21.85 x 13.64 x 3.19 in)
- Enclosure** Front: Stainless steel  
Back: Aluminum/stainless steel (optional)
- Mounting** VESA and flange adapter for arm and foot system
- Power Consumption** 40.8 W
- Power Input** 21~27 V<sub>DC</sub>
- Weight** 15.8 kg (34.83 lb)
- OS Support** Microsoft® WES7 (32/64-bit), Windows 7 (32/64-bit), Windows Embedded 8.1 Industry Pro (64-bit)

#### System Hardware

- CPU** Intel® Celeron Processor J1900
- Memory** 4 GB DDR3L SODIMM (up to 8 GB)
- LAN** RTL8111E-VL-CG
- Expansion Slots** 1 x Full-size mini PCIe x1
- Storage** 1 x CFast  
1 x 2.5" SATA (default) or CFast (optional)
- I/O** 2 x 10/100/1000 Mbps RJ45  
1 x RS-232  
1 x RS-232/RS-485/RS-422  
1 x USB 2.0  
1 x USB 3.0  
1 x Waterproof wireless antenna (optional)

#### LCD

- Display Type** Full HD TFT LED LCD
- Display Size** 21.5"
- Max. Resolution** 1920 x 1080
- Max. Colors** 16.7M

- Luminance (cd/m<sup>2</sup>)** 300
- Viewing Angle(H/V)** 178 / 178
- Backlight Life** 50,000 hr

#### Touchscreen

- Light Transmission** ≥ 88%
- Resolution** 4096 x 4096 dpi
- Type** Projected capacitive

#### Environment

- Humidity** 10 ~ 95% RH @ 40 °C, non-condensing  
**Note:** Tested for 48 hr
- Operating Temperature** 0 ~ 50 °C (32 ~ 122 °F)
- Storage Temperature** -20 ~ 60 °C (-4 ~ 140 °F)
- Vibration Protection** With HDD: 1 Grms (5~500Hz)  
(Operating, random vibration)

### Ordering Information

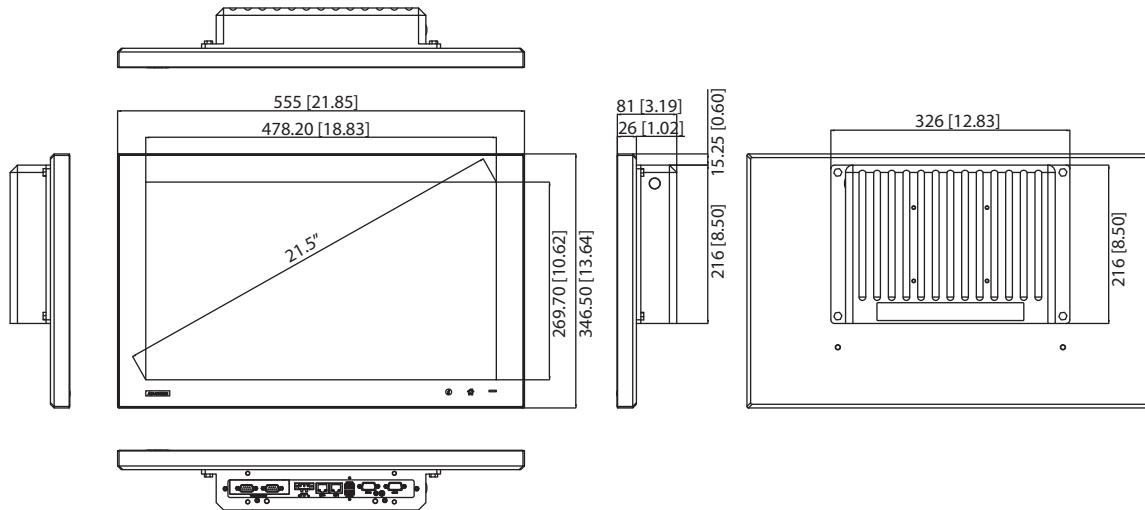
- IPPC-5211WS-J3AE** 21" Panel PC w/ Alum. Rear Cover, J1900 (Partial Stainless Steel Housing Version)
- IPPC5211WSJ1501E-T** 21" Panel PC w/ Stainless Steel Rear Cover, J1900 (All Stainless Steel version)

### iDoor Modules

- PCM-24D2R4-AE** 2-Port Isolated RS-422/485 mPCIe, DB9
- PCM-24D2R2-AE** 2-Port Isolated RS-232 mPCIe, DB9
- PCM-27D24DI-AE** 24-Channel Isolated Digital I/O w/ counter mPCIe, DB37
- PCM-26R2PN-MAE** 2-Port Hilscher netX100 FieldBus mPCIe, PROFINET, RJ45, Master
- PCM-26R2PN-SAE** 2-Port Hilscher netX100 FieldBus mPCIe, PROFINET, RJ45, Slave
- PCM-26D1DB-MAE** 1-Port Hilscher netX100 FieldBus mPCIe, PROFIBUS, DB9, Master
- PCM-26D1DB-SAE** 1-Port Hilscher netX100 FieldBus mPCIe, PROFIBUS, DB9, Slave

## Dimensions

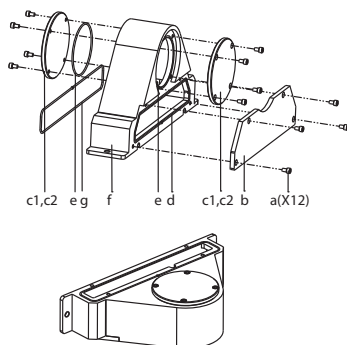
Unit: mm [inch]



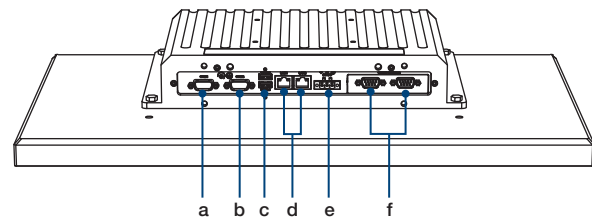
## Optional Accessories

- **PWR-247-CE** 100-240V 60W 24V 2.5A Power Supply
- **2070013799** Image WS7P x64 MUI. v4.12 B001 for IPPC-5211WS
- **IPPC-5211WS-EMKE** Aluminium Flange Adaptor of IPPC-5211 (To implement pole mount and enable all-around IP69k)
- **IPPC-5000-FLAE** 304L Stainless Steel Flange Adaptor of IPPC-5211 (To implement pole mount and enable all-around IP69k)
- **EWM-W151H01E** 802.11bgn RTL8188EE 1T1R, Half-size Mini-PCle (also need 9656EWMG00E)
- **1750007668-01** Waterproof Wireless Antenna R/P SMA.M2dB L=86.7

## Dimension of IPPC-5211WS-EMKE & IPPC-5000-FLAE



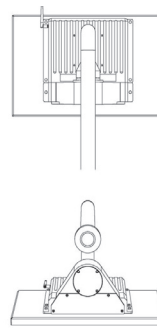
## Rear View



- a. COM1 (RS-232)
- b. COM2 (RS232/RS485/RS422)
- c. 2 x USB (1 x USB 3.0, 1 x USB 2.0)
- d. 2 x LAN (10/100/1000 Mbps)
- e. Power input
- f. iDoor

## Product Type with IPPC-5211WS-EMKE

### Arm System



### Foot System

