

USER'S MANUAL
Rev. 11/2009

REVO *SSR*

SOLID-STATE RELAY WITH IFH OPTION



CD Automation S.r.l.

Via Picasso 34/36 - 20025 - Legnano (MI) - ITALY

Tel +39 0331 577479 - Fax +39 0331 579479

E-Mail: info@cdautomation.com - WEB: www.cdautomation.com



Important warning for safety



The Thyristor unit are integral part of industrial equipments.
When it is supply, the Thyristor unit is subject to dangerous tensions. Don't remove the plastic cover.
Don't use this unit in aerospace and nuclear application.

Electric Shock Hazard (Rischi di scosse elettriche, Risque de choque électrique)

When thyristor unit has been connected to main supply voltage and is switched off, before to touch it be secure that the unit is isolated and wait at least one minute to allow discharging internal capacitors.
Thus be secure that:

- access to thyristor unit is only permitted to specialised personnel;
- the authorised personnel must read this manual before to have access to the unit;
- the access to the unit must be denied to unauthorised personnel.

Important warnings (Avvertenze importanti, attention)

During the operations with units under tension, local regulations regarding electrical installation should be rigidly observed:

- Respect the internal safety rules.
- Don't bend components to maintain insulation distances.
- Protect the units from high temperature humidity and vibrations.
- Don't touch components to prevent electrostatic discharges on them.
- Verify that the size is in line with real needs.
- To measure voltage current etc. on unit, remove rings and other jewels from fingers and hands.
- Authorized personnel that work on thyristor unit under power supply voltage must be on insulated board

This listing does not represent a complete enumeration of all necessary safety cautions

Protection (Protezione, Protection)

The unit have IP20 protection rating as defined by the specific international. Is necessary consider the place of installation.

Earth (Messa a terra, Terre)

For safety, the Thyristor unit with isolated heat-sink must be connected to earth.
Earth impedance should be correspondent to local earth regulation. Periodically the earth efficiency should be inspected.

Electromagnetic compatibility (Compatibilità elettromagnetica, Compatibilité électromag.)

Our thyristor units have an excellent immunity to electromagnetic interferences if all suggestions contained in this manual are respected. In respect to a good Engineering practice, all inductive loads like solenoids contactor coils should have a filter in parallel

Emissions (Emissioni, Emission)

All solid-state power controllers emit a certain amount of radio-frequency energy because of the fast switching of the power devices. The CD Automation's Thyristor unit are in accord with the EMC norms, CE mark.

In most installations, near by electronic systems will experience no difficulty with interference. If very sensitive electronic measuring equipment or low-frequency radio receivers are to be used near the unit, some special precautions may be required. These may include the installation of a line supply filter and the use of screened (shielded) output cable to the load.

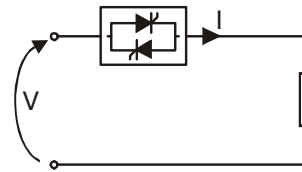


Basic Connections

Single phase wiring with resistive load

$$I = \frac{P}{V}$$

V = Nominal voltage of the load
 I = Nominal current of the load
 P = Nominal power of the load



Order Code

	1	2	3	4	5	6	-	7	8	9	10	11	12	13	14	15	16
CODE	S	S	R	_	_	_	-	_	_	S	Z	0	_	0	_	_	2

TYPE																	
Without heat-sink: see the Dissipation Curves						0	6	2									
Without heat-sink: see the Dissipation Curves						0	7	4									
Without heat-sink: see the Dissipation Curves						0	9	0									

MAX VOLTAGE																	
480V																	4
600V																	6

AUXILIARY VOLTAGE																	
None (Without HB Option)																	0
12-24V ac/dc with HB Option																	4

INPUT / FIRING																	
SSR / Zero Crossing																	S Z

OPTION																	
None																	0
IFH (Internal Fuse + Fuse-Holder)																	F
IFH + CT (Internal Current Transformer)																	Y
IFH + CT + HB (Heater Break Alarm)																	H
IFH + CT + HB + Flat Wiring System																	X

UL CERTIFICATION																	
None																	0
cUL us (soon available)																	L

MANUAL																	
None																	0
Italian																	1
English																	2
German																	3
French (soon available)																	4

Installation

Before to install, make sure that the Thyristor unit have not damages.

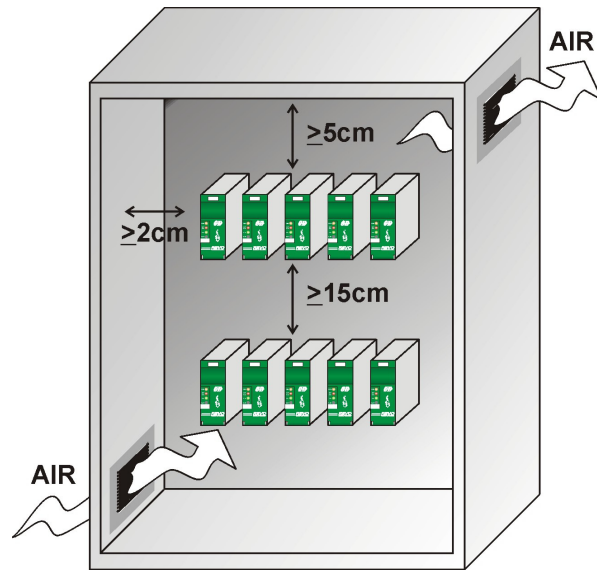
If the product has a fault, please contact the dealer from which you purchased the product. Verify that the product is the same thing as ordered.

The Thyristor unit must be always mounted in vertical position to improve air cooling on heat-sink.

Maintain the minimum distances in vertical and in horizontal as represented.

When more unit has mounted inside the cabinet maintain the air circulation like represented in figure.

Sometimes is necessary installing a fan to have better air circulation.



The Thyristor unit must be used in conjunction with an appropriate heat-sink (Optional).

The heat-sink must be sized in relation to environment temperature and the load current (see the Dissipation Curves).

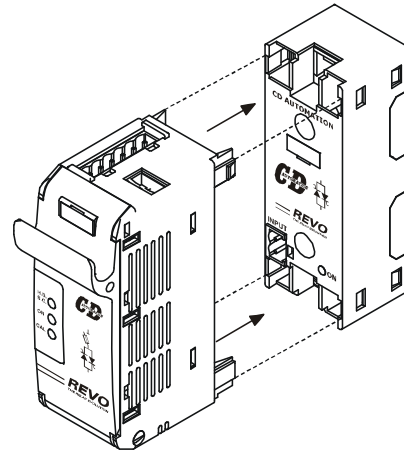
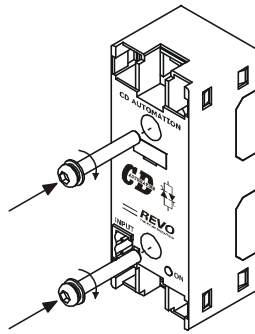
The assembly (module-heatsink) must happen on a flat surface with low roughness. The fixing holes on the heat-sink must be threaded and countersunk. Spread a layer of thermo-conductive silicon putty between the two surfaces (the surfaces must be clean and the thermo-conductive silicon putty must be free of impurities).

Tighten the two fixing screws M4 alternately until reaching a torque of 1 Nm.

Attention: make sure that there are no air bubbles under the copper plate.

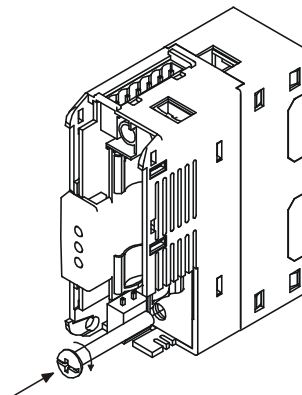
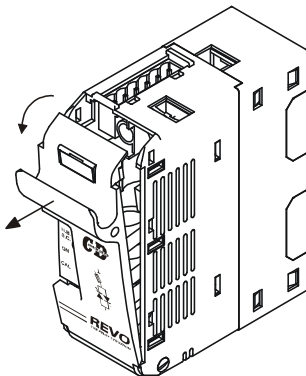
Lock the Thyristor module to the heat-sink

Insert the IFH module

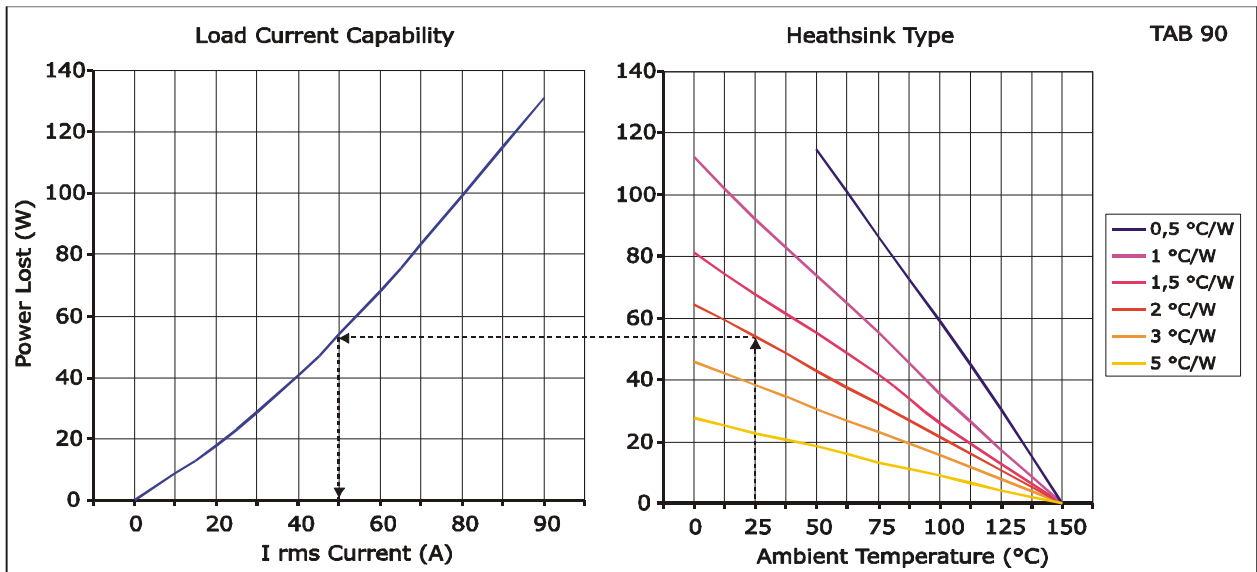
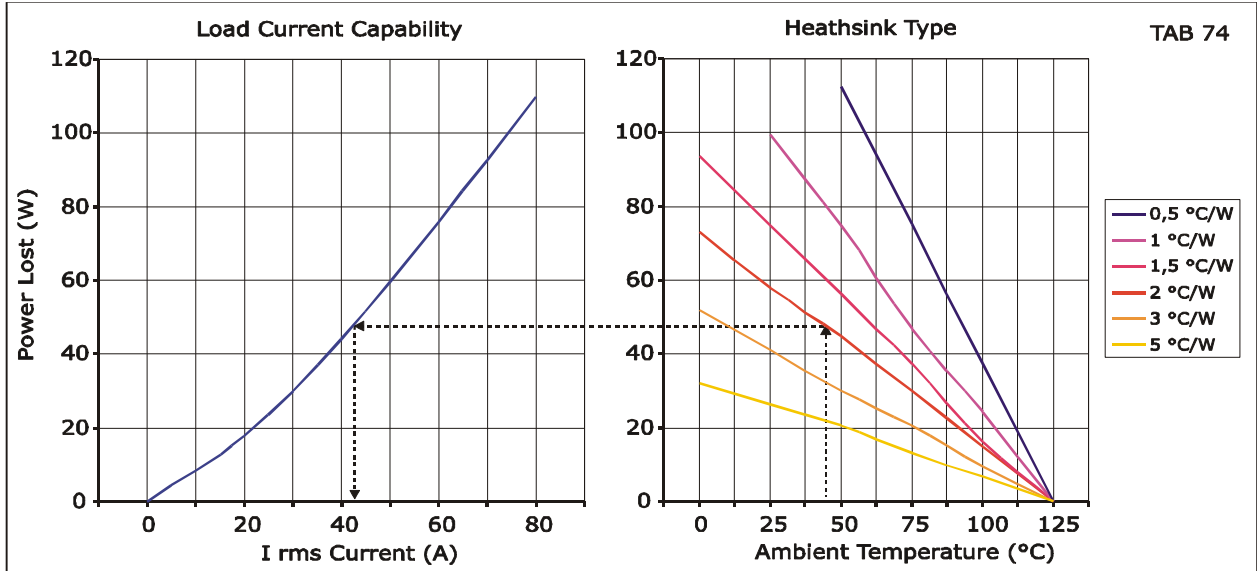
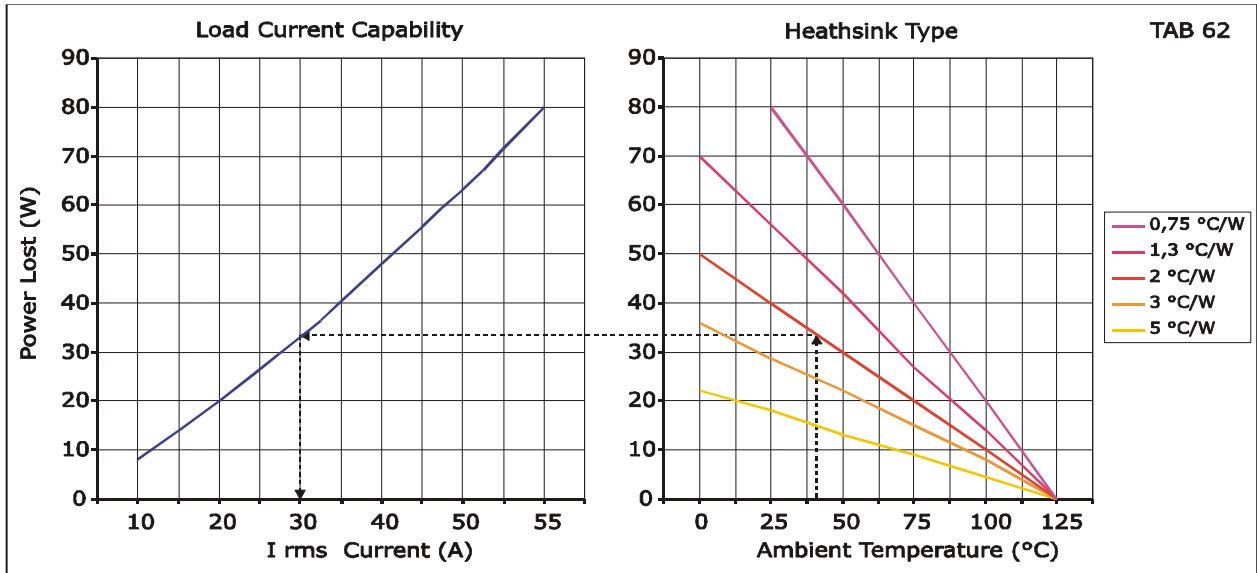


Open the Fuse-Holder module

Tighten the fixing screw to the Thyristor module



Dissipation Curves

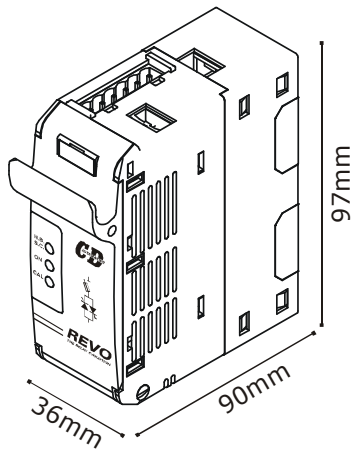


NOTE: The maximum continuative-current applicable to the power terminals is 45A

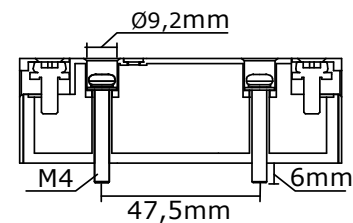
Environmental installation conditions

Installation place	Don't install at direct sun light, where there are conductive dust, corrosive gas, vibration or water and also in salty environmental.
Altitude	Up to 1000 meter over sea level. For higher altitude reduce the nominal current of 2% for each 100m over 1000m
Humidity	From 5 to 95% without condense and ice

Dimensions and Fixing holes



Weight
0,26Kg



Internal Fuse

The thyristor unit have internal fuse extrarapid at low I^2t for the thyristor protection of against the short-circuits.

The Fuses must have I^2t 20% less than thyristor's I^2t . The warranty of thyristor is null if no proper fuses are used.

Type	Fuse Code Spare Part	Current (ARMS)	I^2T (A ² sec.)	Vac
062	FU1451/40A	40	980	660
074	FU1451/50A	50	1800	660
090	FU1451/50A	50	1800	660



Caution: High speed fuses are used only for the thyristor protection and can not be used to protect the installation.



Caution: The warranty of thyristor is null if no proper fuses are used. See tab.



Warning: When it is supply, the Thyristor unit is subject to dangerous voltage, don't open the Fuse-holder module and don't touch the electric equipments.

Wiring instructions

The Thyristor unit could be susceptible to interferences lost by near equipments or by the power supply, for this reason in accord to the fundamental practices rules is opportune take some precautions:

- The coil contactor, the relays and other inductive loads must be equipped with opportune RC filter.
- Use shielded bipolar cables for all the input and output signals.
- The signal cables must not be near and parallel to the power cables.
- Local regulations regarding electrical installation should be rigidly observed.

Use copper cables and wires rated for use at 75°C only.

Power cable torque (suggested)

Type	Connector Type	Torque Lb-in (N-m)	Wire Range mm ² (AWG)	MAX Current Terminals	Wire Terminals UL Listed (ZMVV)
062 074 090	Screw M5	26.6 (3.0)	1.5-10 (16-8)	45A	Rigid / Flexible Spade Terminal

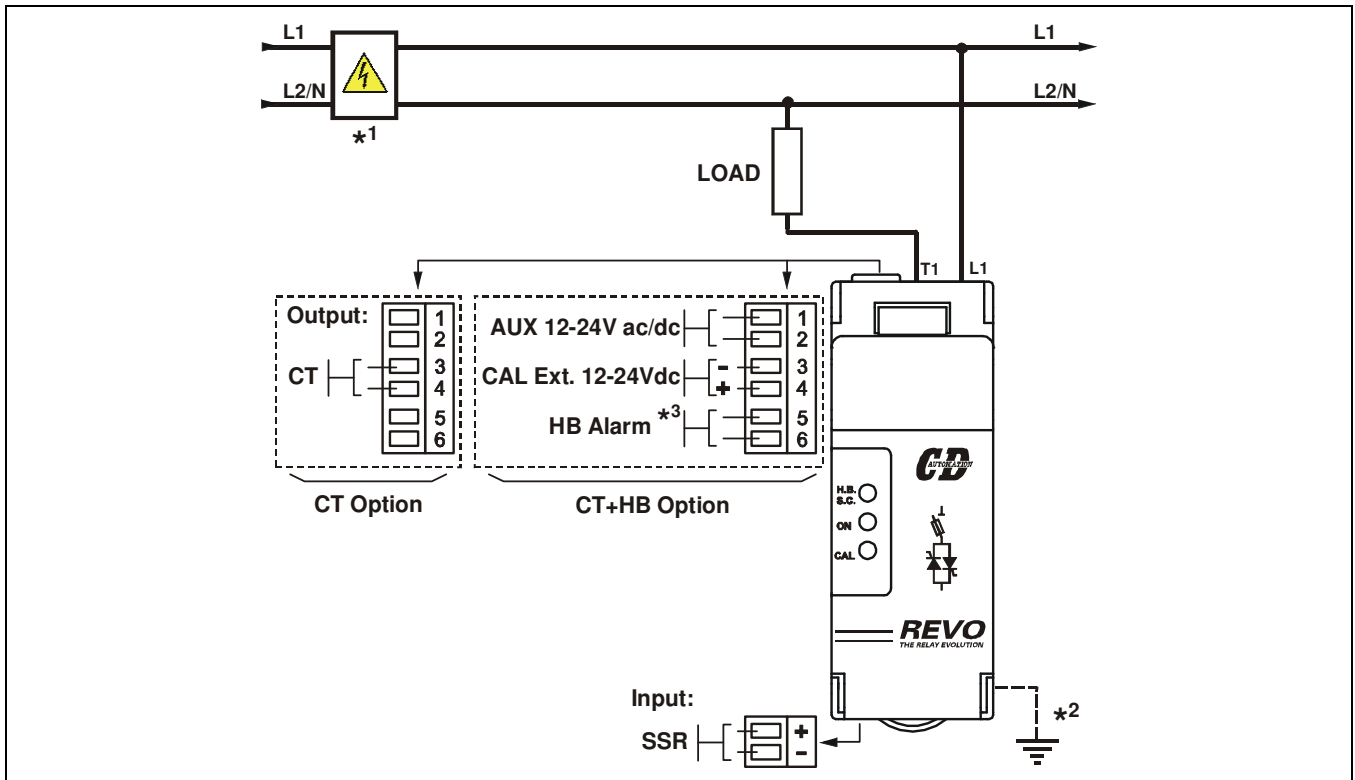
Cable dimensions of the Command Terminals

0.5mm² (AWG 18)

Cable dimensions of the Earth (suggested)

6 mm² (AWG 10)

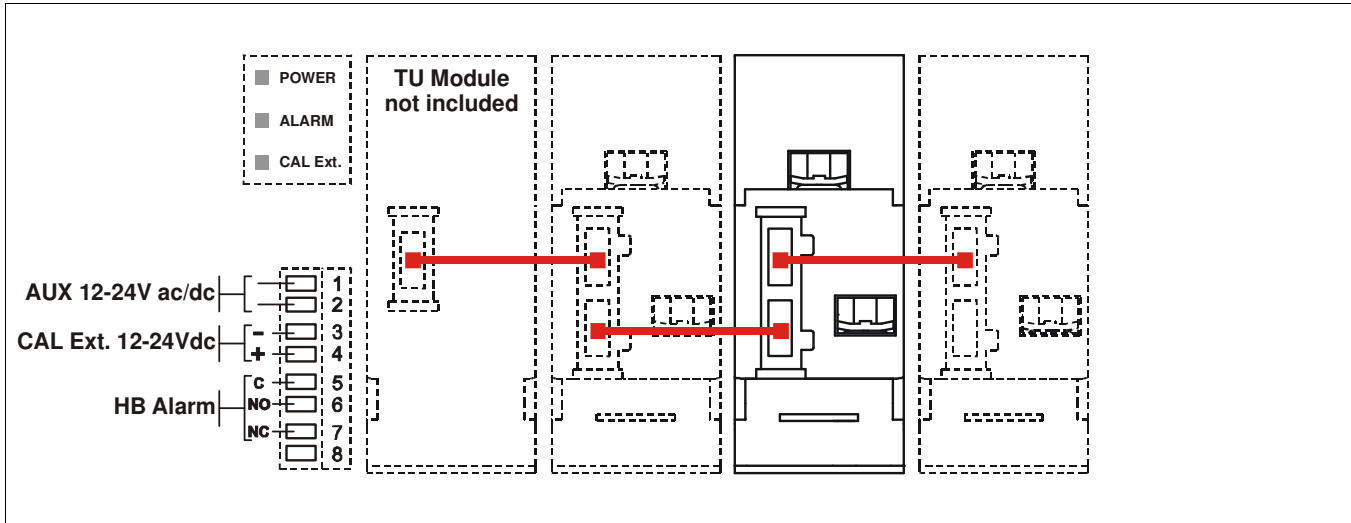
Connection Diagram



Note:

- *1 A suitable device must ensure that the unit can be electrically isolated from the supply, this allows the qualified people to work in safety.
- *2 The heat-sink must be connected to the earth.
- *3 See par. "Heater break Alarm and SCR short circuit"

Connection Diagram with Flat wiring system (Option)

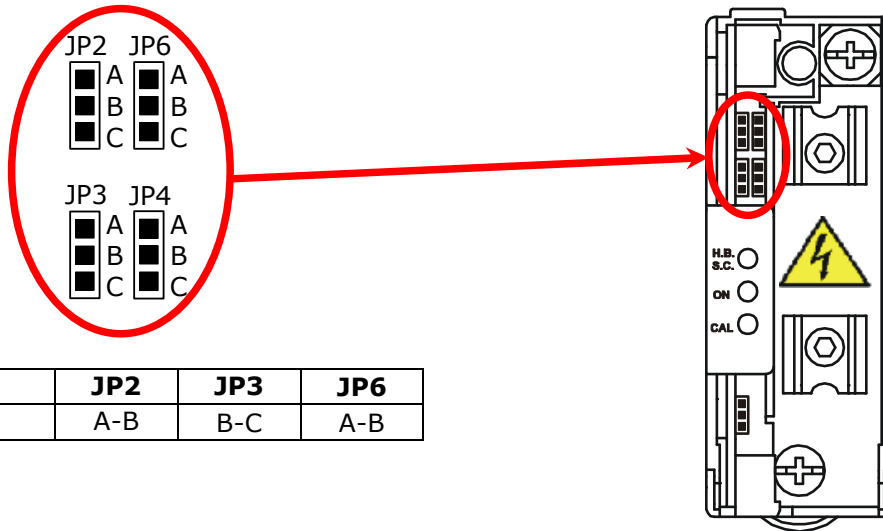


Input setting



Warning: Before operate, be sure that power and control cables are isolated from voltage sources

The input type is already configured in line with customer requirements that are defined in the Order Code. However, verify that the jumper are set as below represented:



Input	JP2	JP3	JP6
SSR	A-B	B-C	A-B

Led status and Alarms

LED	STATUS	DESCRIPTION
H.B. S.C.	LED OFF	Load OK
	LED ON (Yellow)	Load Fault (only with HB option)
	LED ON (Red)	SCR short circuit (only with HB option)
ON	LED OFF	Load is NOT powered
	LED ON (Green)	Load is powered

Heater Break alarm and SCR short circuit (HB Option)



Caution: to work properly the load must be powered at least about 160msec.

The Heater Break circuit read the load current with an Internal current transformer (C.T.). Minimum current is 10% of the current transformer size. If load current is below this value the Heater Break Alarm doesn't work properly.

Heater break Calibration procedure

An automatic function sets the Heater Break Alarm. The auto setting function can be activated using the "CAL" button on front unit, or supply with 12-24Vdc the digital input "Cal Ext." (See Connection Diagram). The Heater Break calibration procedure is performed in this way:

- The Unit gives the maximum voltage output
- all LEDs are on, this means that calibration procedure is active
- The current value is stored in memory
- After about 15 second the unit comes back to the initial situation

If load current decreases for partial or total load failure (sensitivity 20%) the yellow LED HB become ON and alarm relay change status.

If the unit is still in conduction with no input signal (LED green OFF) it means that there is a short circuit on thyristors and red LED (SC) become ON.

If the load has been changed the Heater Break calibration procedure must be done again.

HB alarm contact

The Revo unit with HB option, is supplied with Heater Break alarm contact normally opened (NO):

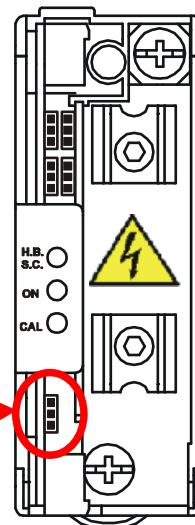
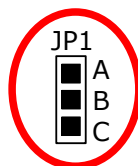
- In normal conditions (without alarm) and with auxiliary power supply, the contact to the terminals has opened (relay coil energized).
- In alarm condition or without auxiliary power supply the contact to the terminals is closed (relay coil not energized).

if you wish to change the alarm contact open the Fuse-holder module and set the jumper as shown:



Warning: Before operate, be sure that power and control cables are isolated from voltage sources

Type	JP1
NO(standard)	A-B
NC	B-C



Technical Specifications

General features:	
Cover and Socket material:	PolymericV2
Mounting:	To screw (on heat-sink not supplied)
Delay switch ON/OFF time:	1/2 Period Max
Auxiliary voltage (only with HB option):	12÷24V dc/ac (max 70mA)
Relay output for Heater Break Alarm (only with HB option):	0.5A a 125VAC

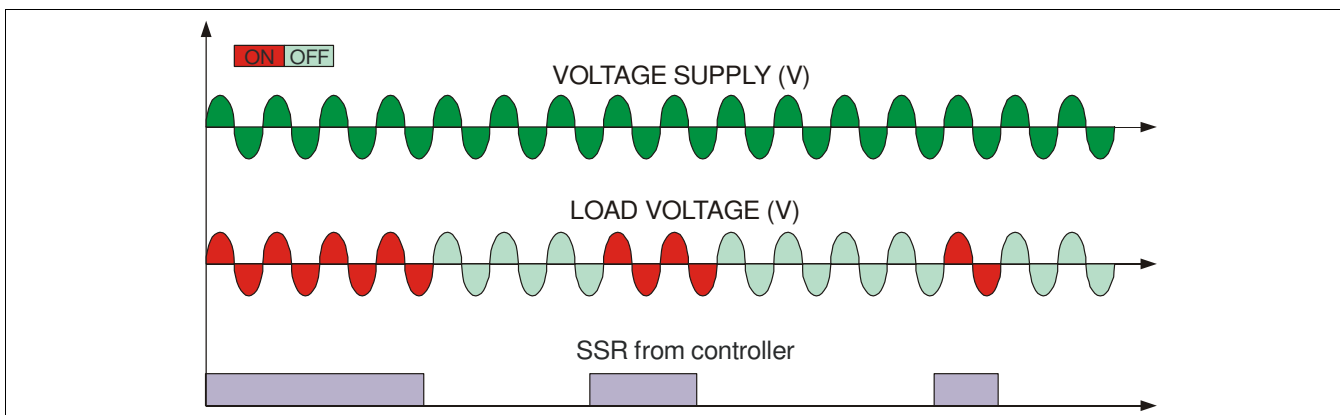
Input features:	
Logic input SSR:	4 ÷ 30Vdc 5mA Max (ON ≥ 4Vdc OFF < 1Vdc)

Output features:	
Nominal current in continuous service:	See order code
Max peak current (10ms)	400A for unit type 62 600A for unit type 74 800A for unit type 90
Voltage range:	24÷600V
Repetitive peak reverse voltage:	1200V
Latching current:	250mA
Leakage current:	15mA eff
I ² T value tp=10msec:	780 for unit type 62 1750 for unit type 74 3110 for unit type 90
Frequency range:	47÷70Hz
Power loss (I=Inom):	see the Dissipation Curves
Isolation Voltage:	2500Vac

Firing type

ZC firing mode is used with Logic Output from temperature controllers and the Thyristor operates like a contactor.

The Cycle time is performed by temperature controller. ZC minimizes interferences because the Thyristor unit switches ON-OFF at zero voltage.



Maintenance

In order to have a corrected cooling, the user must clean the heat-sink and the protective grill of the fans. The frequency of this servicing depends on environmental pollution.

Also check periodically if the screw for the power cables and safety earth are tightened correctly (See Connection Diagram)

Trouble Shooting

Small problems sometimes can be solved locally with the help of the below tab of trouble shooting. If you don't succeed, contact us or your nearest distributor.

Symptom	Indication on front unit	Possible reasons of the symptom	Actions
Load current doesn't flow	Green LED (ON) light OFF	<ul style="list-style-type: none"> No Auxiliary Voltage No input signal Reversed polarities of input signal 	<ul style="list-style-type: none"> Give auxiliary voltage supply (See Connection Diagram) Provide to give input signal Reverse the input signal polarity
	Green LED (ON) light ON	<ul style="list-style-type: none"> Fuse failure Load connection interruption Load failure: The yellow led (HB) is light on (with HB option) Thyristor fault: The red led (SC) is light on (with HB option) 	<ul style="list-style-type: none"> Change the fuse Check the wiring Check the load Change the thyristor module
Load current flow also without input signal	Red LED (SC) light on	<ul style="list-style-type: none"> Wrong wiring SCR short circuit 	<ul style="list-style-type: none"> Check the wiring Change the thyristor module
Current flows at nominal value but Yellow LED (HB/SC) is light on	Yellow LED (HB) light on or Red LED (SC) light on	<ul style="list-style-type: none"> HB circuit not tuned Current transformers not properly wired 	<ul style="list-style-type: none"> Make HB calibration procedure Check current transformers wiring
Thyristor unit doesn't work properly		<ul style="list-style-type: none"> Auxiliary voltage supply out of limits Wrong input signal selection. Wrong input signal calibration (out of range) 	<ul style="list-style-type: none"> Verify the auxiliary voltage supply Control input signal setting. Check input setting

Warranty condition

CD Automation gives a 12 months warranty to its products.

The warranty is limited to repairing and parts substitution in our factory and does exclude products not properly used and fuses.

Warranty does not include products with serial numbers deleted. The faulty product should be shipped to CD Automation at customer's cost and our Service will evaluate if product is under warranty terms.

Substituted parts remain of CD Automation property.

