

M-SYSTEM

PoE, PoE Plus

Model MDCAT Gigabit Ethernet Surge Protector IDEAL FOR PROTECTING CCTV SYSTEMS

- ⚡ Multi-stage protection provided for all four pairs of conductors in Cat. 5e / Cat. 6 performance with minimal interference.
- ⚡ An equal level of protection ensured for the core-to-core voltage used for PoE.
- ⚡ Compact module can be easily installed in a tight space of CCTV camera's junction box.



**ACTUAL
SIZE**



CE

**Lightning Surge Protector
for Ethernet**
(PoE / 10 BASE-T / 100 BASE-TX / 1000 BASE-T)

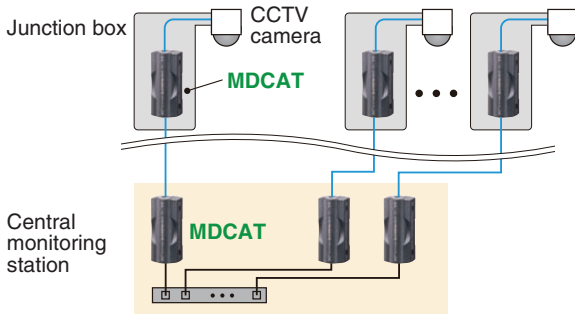
Model: MDCAT

- IEC 61643-21, Categories C1, C2
- PoE: IEEE 802.3af, PoE Plus: IEEE 802.3at
- Cable categories Cat 5e and 6
- LAN cable shield wire can be floating or grounding by shortcircuit bar

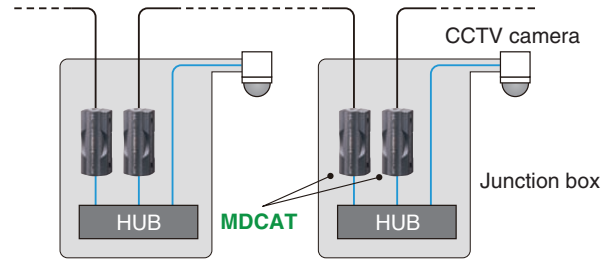
M-SYSTEM CO., LTD.
www.m-system.com

SYSTEM CONFIGURATION EXAMPLES

Star Connection



Cascade Connection



GENERAL SPECIFICATIONS

Connection

- Network:** RJ-45 modular jack
- Grounding:** M3 screw terminal (torque 0.6 N·m)
- Screw terminal:** Nickel-plated brass
- Housing material:** Flame-resistant resin (black)

INSTALLATION

- Operating temperature:** -25 to +85°C (-13 to +185°F)
- Operating humidity:** 30 to 90 %RH (non-condensing)
- Mounting:** DIN Rail (TH35-7.5, 1-mm-thick)
- Oxide film on the surface of an aluminium rail may lower the electric conductivity between this module and the ground.
- When this unit is earthed via a DIN rail, use a steel or copper rail.
- Weight:** 150 g (0.33 lbs)

PACKAGE INCLUDES

LAN cable connected to the protected device (STP, 1 meter)

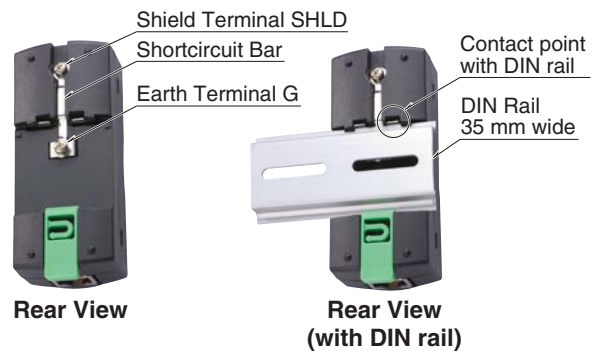
APPLICABLE NETWORK

- 10 BASE-T:** IEEE 802.3i
- 100 BASE-TX:** IEEE 802.3u
- 1000 BASE-T:** IEEE 802.3ab
- PoE:** IEEE 802.3af
- PoE Plus:** IEEE 802.3at

STANDARDS & APPROVALS

- CE conformity:** EMC Directive (2004/108/EC)
EMI EN 61000-6-4: 2007
EMS EN 61000-6-2: 2005
- Surge protection:** IEC 61643-21: 2000 (Categories C1, C2)
- Transmission performance:**
TIA/EIA-568-B.2 CAT5e (MDCAT-5E)
TIA/EIA-568-B.2 CAT6 (MDCAT-6)

DIN RAIL GROUNDING & SHORTCIRCUIT BAR



When the MDCAT is snapped on a steel or copper DIN rail, the surge protector is connected to the single grounding point on the rail, thus saving individual cross wiring to the earth. Earth terminal is also available to ground separately using hardwires.

EXTERNAL DIMENSIONS mm (inch)

