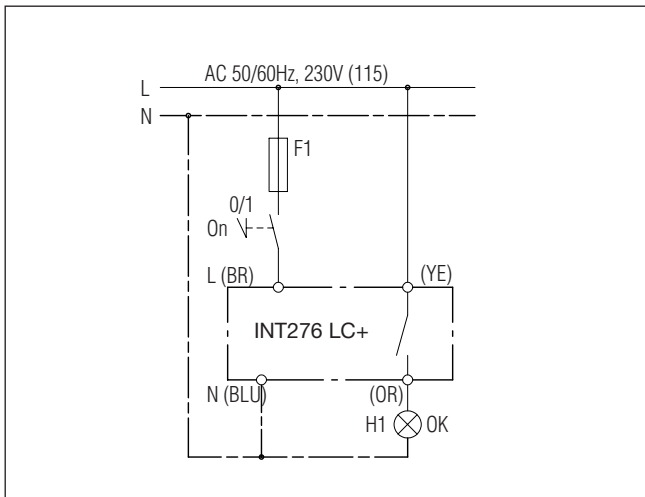


INT276 LC+[®] Level monitor

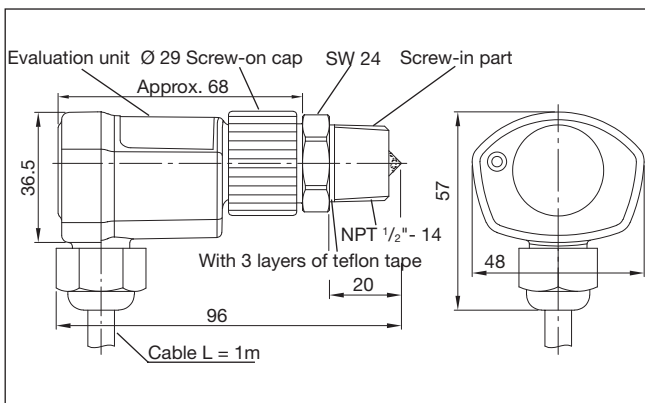
INT276 LC+[®]



INT276 LC+



Wiring diagram



Dimensions in mm

Only qualified electricians may connect the wiring.

Always comply with applicable standards for connecting electrical devices.

Application

The INT276 LC+ optical monitoring unit is used for contactless monitoring of the liquid level. This is accomplished by a screw-in unit installed at the measuring point for optical level scanning as well as an electronic, removable evaluation unit. The evaluation unit can be replaced without opening the reservoir of the monitored media. The relay trips 3 seconds after connecting the supply voltage. If no level is detected or if there is a fault, the relay switches off after a delay. If the fault is cleared or if the level reaches the good range,

the relay picks up again after a delay. The potential-free, normally open contact can be looped into a safety circuit without an auxiliary relay. The own monitoring system of the optics integrated into the INT276 LC+ ensures increased operational reliability. An installation check monitors the proper assembly. The built in LED indicates the operating state and further operational statuses with flash codes as they occur:

- OK
- Error
- Level too low

Installation instructions

Mounting:

The proper sealing at the change-over point depends on the application case and needs to be ensured by the user. The maximum torque is about 75Nm and has to be ensured by a ring spanner or a socket key. The mounting for the electronics (especially the glass) needs to be checked for cleanli-

ness. Insert the evaluation unit in the screw-in unit and screw tight by hand with the coupling ring (torque about 10Nm). Make sure that the cable outlet points down. The electrical connection needs to be carried out according to the wiring diagram. After refilling the container, check the seal.

Technical specifications

Wiring (52 S...)	AC 50/60Hz 230V ±10%
Wiring (41 S...)	AC 50/60Hz 115V ±10%
Permitted ambient temperature	-30 ... +60°C
Max. media temperature (< 1h)	+120°C
Max. media application temperature	+100°C
Delays:	
- The relay trips after connecting the supply voltage.	3s ±1s
Level monitoring after Relay on	
Relay off (level missing) after	5s ±2s
Relay off (error) after	5s ±2s
Relay on (level good) after	5s ±2s
Relay on (no errors) after	5s ±2s
Relay	AC 240V, 2.5A, C300
Mech. service life	Approx. 10 ⁵ switching cycles
Housing	PA66/PA6, glass-fibre-reinforced
Protection class acc. EN 60529	IP 54 in built-in status
Mounting	Coupling ring
Connecting cable	4xAWG18 (0.75mm ²) L = 1m, colour coded
Weight	Approx. 80g
Approval	UL file E222056

Exclusively applicable screw-in units, see Technical data sheet 700.00294.

Order data

230V version: INT276 LC+ Level monitor Evaluation unit	52 S 476 S62
115V version: INT276 LC+ Level monitor Evaluation unit	41 S 476 S62

Technical changes reserved