

This guide provides specifications for Unitronics' Short Range Local Expansion Kit for Uni-I/O™.

The Short Range Local Expansion Kit allows you to increase the number of I/Os connected to a single UniStream™ CPU by linking it to an additional row of Uni-I/O™ modules.

Via the Short Rang Local Expansion Kit, a single UniStream™ CPU-for-Panel can support up to:

- 8 Uni-I/O™ or Uni-COM™ modules without power supply (UAG-XKxxx)
- 16 Uni-I/O™ or Uni-COM™ modules with power supply (UAG-XKPxxx)

Installation Guides are available in the Unitronics Technical Library at [www.unitronics.com](http://www.unitronics.com)

### Module Support

The number of modules referred to below includes **all** modules, those on-board the HMI panel, and those linked to the CPU via a Local Expansion Kit.

Note that Uni-COM™ modules **must** be on-board the HMI panel, and **must** be next to the CPU.

The Local Expansion Cable comprises a Base unit, an End unit, and a connecting cable. You must plug the Base Unit into the last element on the back of the UniStream™ HMI Panel. This may be a Uni-COM™ or Uni-I/O™ module. If the CPU-for-Panel is the only element that is plugged onto the back of the HMI Panel, plug the Base unit into it.

End Unit can only be plugged into a Uni-I/O™ module.

	UAG-XKxxx	UAG-XKPxxx
	Up to 8 modules	Up to 16 modules

Power Supply	UAG-XKxxx	UAG-XKPxxx
Input voltage	Not applicable	12 or 24 VDC
Permissible range	Not applicable	10.2 to 28.8 VDC
Max. current consumption	Not applicable	0.9@12VDC, 0.5A@24VDC

### LED Indications

Base Unit	There are no LEDs in the Base Unit.		
	Green	Output state	
End Unit	Link	OFF	CPU is not powered or is not linked to the unit
		On	CPU is powered and is linked to the unit
End Power Unit (UAG-XKPxxx)	Power	Off	No external power
		On	External power is connected to the unit
	Link	Off	CPU is not powered or is not linked to the unit
		On	CPU is powered and is linked to the unit

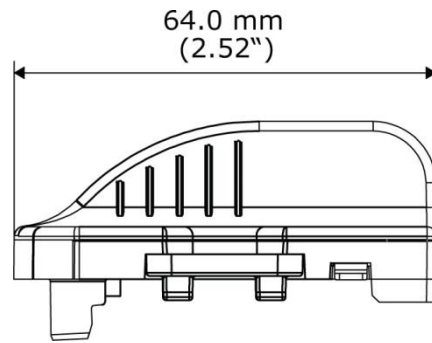
### Environmental

Protection	IP20, NEMA1
Operating temperature	-20°C to 55°C (-4°F to 131°F)
Storage temperature	-30°C to 70°C (-22°F to 140°F)

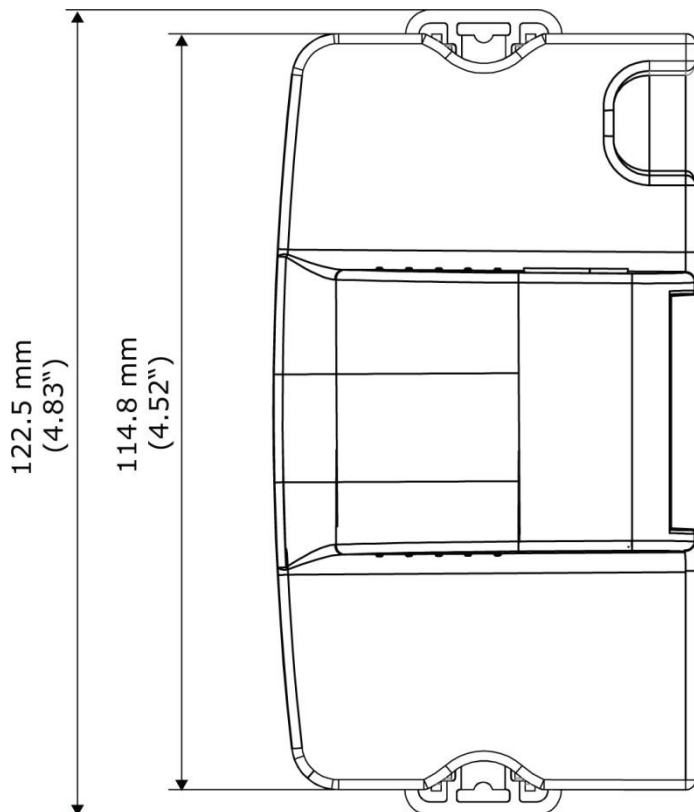
Relative Humidity (RH)	5% to 95% (non-condensing)
Operating Altitude	2,000 m (6,562 ft)
Shock	IEC 60068-2-27, 15G, 11ms duration
Vibration	IEC 60068-2-6, 5Hz to 8.4Hz, 3.5mm constant amplitude, 8.4Hz to 150Hz, 1G acceleration

Dimensions	UAG-XKxxx	UAG-XKPxxx
Weight	Base: 64.5 g (0.14 lb) End: 142.0 g (0.31 lb)	Base: 64.5 g (0.14 lb) End: 149.5 g (0.33 lb)
Size	Refer to the images below	

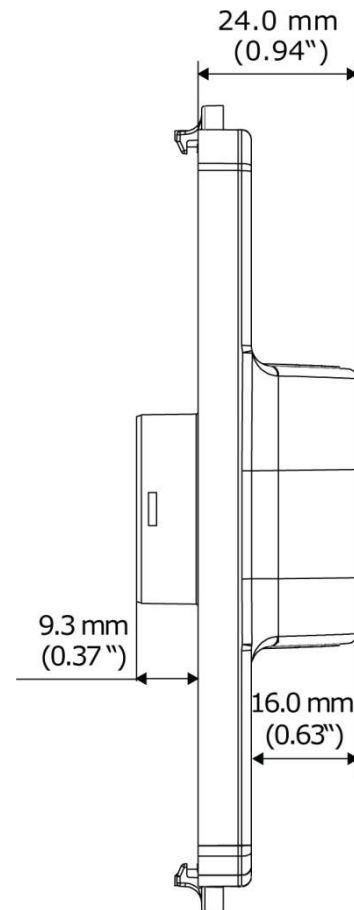
Base Unit



Top View

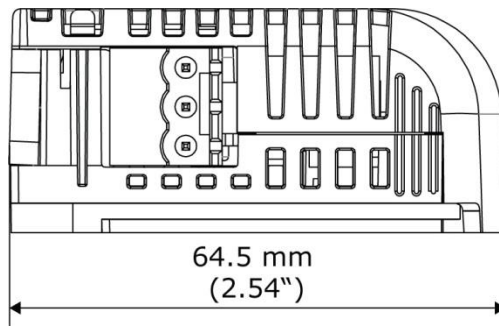


Side View

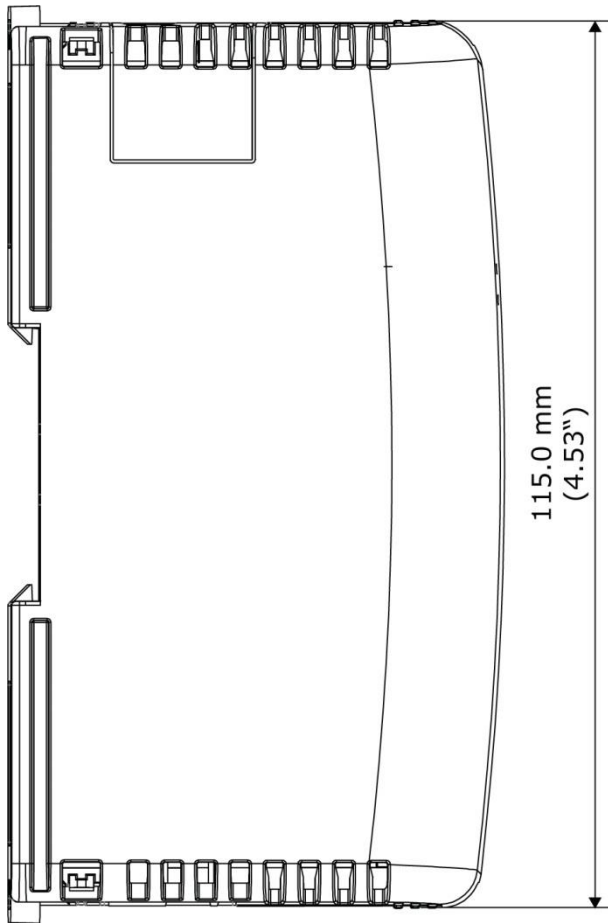


Front View

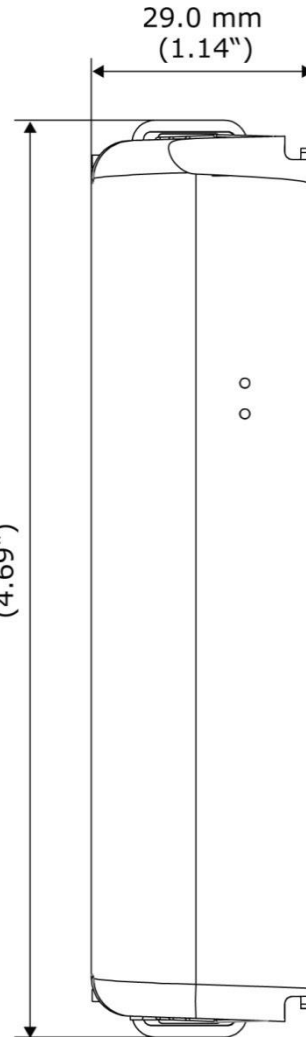
End Unit



Top View



Side View



Front View

The information in this document reflects products at the date of printing. Unitronics reserves the right, subject to all applicable laws, at any time, at its sole discretion, and without notice, to discontinue or change the features, designs, materials and other specifications of its products, and to either permanently or temporarily withdraw any of the forgoing from the market.

All information in this document is provided "as is" without warranty of any kind, either expressed or implied, including but not limited to any implied warranties of merchantability, fitness for a particular purpose, or non-infringement. Unitronics assumes no responsibility for errors or omissions in the information presented in this document. In no event shall Unitronics be liable for any special, incidental, indirect or consequential damages of any kind, or any damages whatsoever arising out of or in connection with the use or performance of this information.

The tradenames, trademarks, logos and service marks presented in this document, including their design, are the property of Unitronics (1989) (R"G) Ltd. or other third parties and you are not permitted to use them without the prior written consent of Unitronics or such third party as may own them.