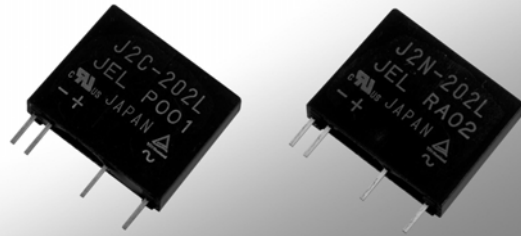


AC Solid State Relay



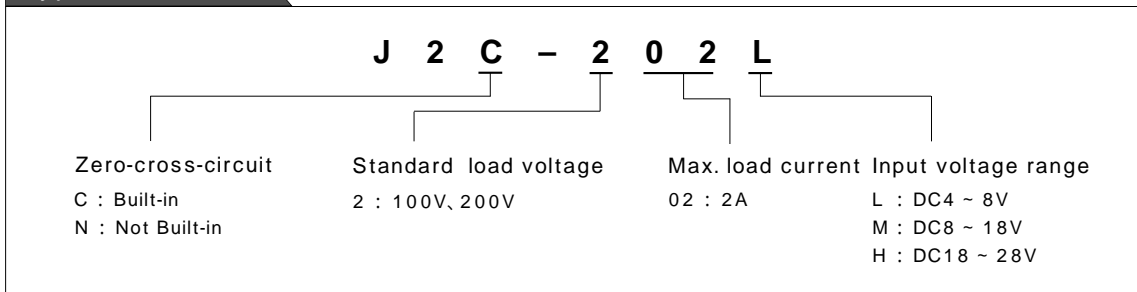
J2 SERIES

Features

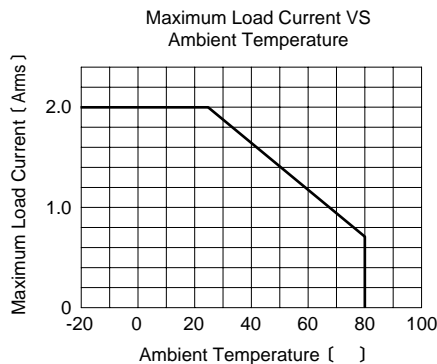
Small size, Slim appearance
 Max. load current at 2A
 Available for PCB high-density packaging

Dielectric strength between input and output
 at 3,000V/1 min. (Reinforced insulation)
 UL/C-UL/TÜV standard approved
 Optional socket available

Type Information

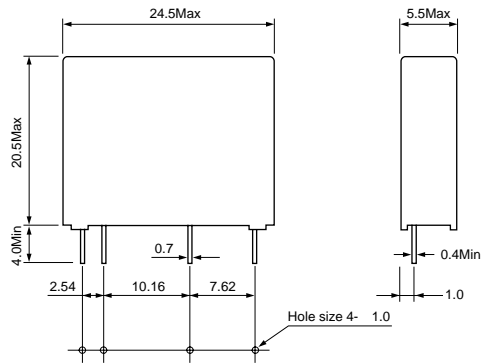


Characteristics



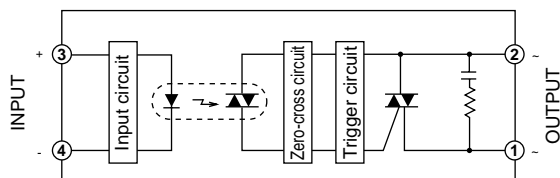
Description in the catalogue is subject to change without notice. Please read the specifications thoroughly before using. Please contact JEL SYSTEM for further information.

Dimensions (mm)



Dimensions For PCB Design

Equivalent Circuit



Model	Zero-cross circuit
J2C-202 *	
J2N-202 *	x

Description in the catalogue is subject to change without notice. Please read the specifications thoroughly before using. Please contact JEL SYSTEM for further information.

Ratings

(Ta = 25)

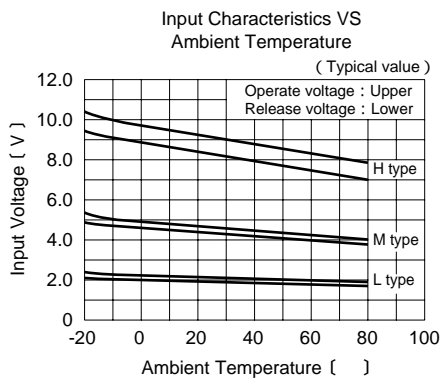
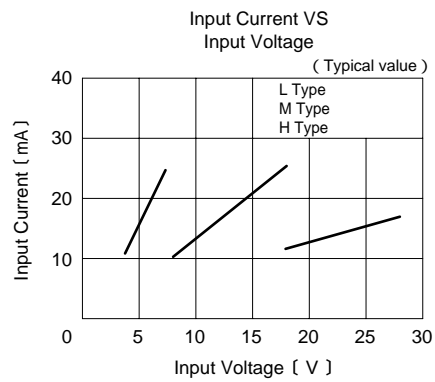
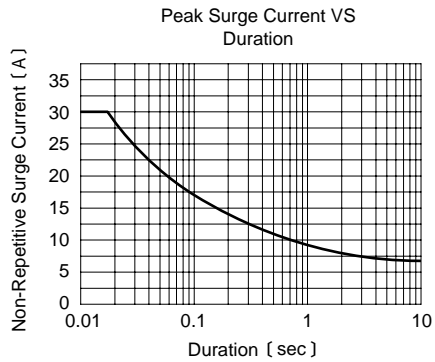
	Item	Symbols	J2C-202L	J2C-202M	J2C-202H	J2N-202L	J2N-202M	J2N-202H	Units
Output	Rated Load Voltage		120、240						V _{ACrms}
	Maximum Load Current	I _{OMAX}	2						A _{ACrms}
	Maximum Load Voltage	V _{OMAX}	264						V _{ACrms}
	Peak Repetitive Off State Voltage	V _{DRM}	600						V
	Peak 1 Cycle Surge Current	I _{SURGE}	30 (60Hz)						A
	Frequency	f	50、60						Hz
Input	Maximum Input Voltage	V _{IMAX}	8	18	28	8	18	28	V _{DC}
	Input Impedance	R _{IN}	270 ± 20 %	680 ± 20 %	1500 ± 20 %	270 ± 20 %	680 ± 20 %	1500 ± 20 %	
General	Dielectric Strength	V _{ISO}	3,000 / 1min. (Between input and output)(Rh40 ~ 60 %)						V _{ACrms}
	Isolation Resistance	R _{ISO}	10 ⁸ and above DC500V (Between input and output)(Rh40 ~ 60 %)						
	Operating Temperature Range	T _{OPR}	- 20 ~ + 80						
	Storage Temperature Range	T _{STG}	- 30 ~ + 100						

Electrical Characteristics

(Ta = 25)

	Item	Symbols	J2C-202L	J2C-202M	J2C-202H	J2N-202L	J2N-202M	J2N-202H	Units
Output	Load Voltage Range	V _O	35 ~ 264						V _{ACrms}
	Off State Leakage Current	I _{LEK}	2.0 and below (V _O = 200V)						mA _{ACrms}
	On State Voltage Drop	V _{SAT}	1.5 and below						V _{ACrms}
	Minimum Load Current _t	I _{OMIN}	20						mA
Input	Input Voltage Range	V _I	4 ~ 8	8 ~ 18	18 ~ 28	4 ~ 8	8 ~ 18	18 ~ 28	V _{DC}
	Operate Voltage	V _P	4 and below	8 and below	18 and below	4 and below	8 and below	18 and below	V _{DC}
	Release Voltage	V _D	1 and above						V _{DC}
General	Operate Time	T _{ON}	1/2 Cycle + 1ms and below			1ms and below			
	Release Time	T _{OFF}	1/2 Cycle + 1ms and below						
	Capacitance _e	C _{IO}	15 and below						PF
	Zero Cross Turn On		Built In			Not Built In			
	Approved Standards		UL、C-UL、TÜV						

Description in the catalogue is subject to change without notice. Please read the specifications thoroughly before using. Please contact JEL SYSTEM for further information.



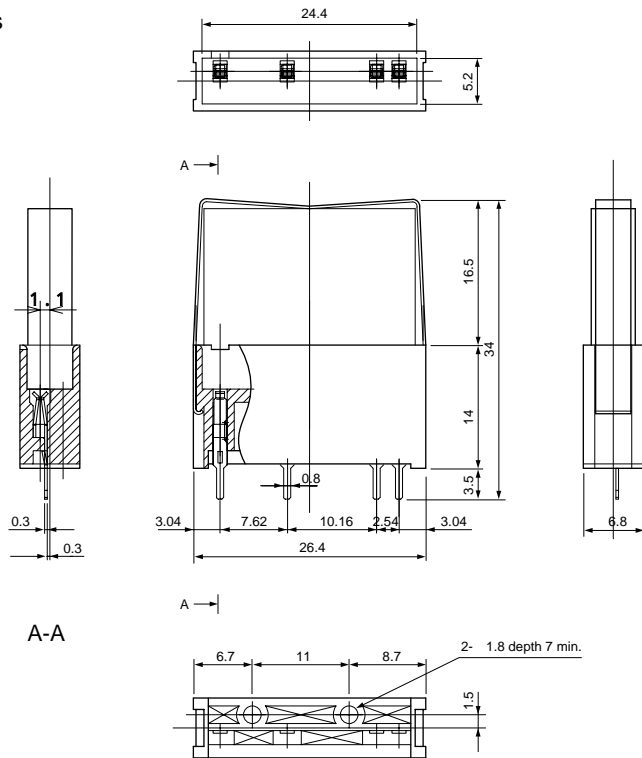
Description in the catalogue is subject to change without notice. Please read the specifications thoroughly before using. Please contact JEL SYSTEM for further information.

Option

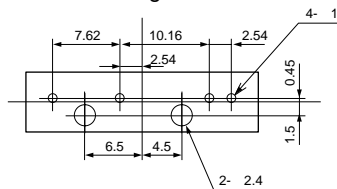
Socket

Model	PS-J201
SUITABLE SSR	J2 Seris

Dimensions



Dimensions for PCB design



Description in the catalogue is subject to change without notice. Please read the specifications thoroughly before using. Please contact JEL SYSTEM for further information.