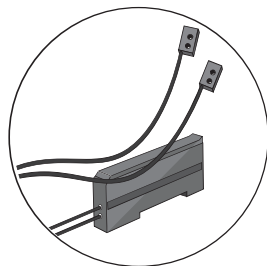


NEW

Amplifier built-in

Ultra-minute photoelectric sensor

EX-Z SERIES



## How about replacing a thru-beam fiber sensor to this ?

EX-Z SERIES

**1/3 price**  
of fiber sensors.

By replacing fiber sensors,  
contribute to huge cost reduction!  
Please try this by all means!

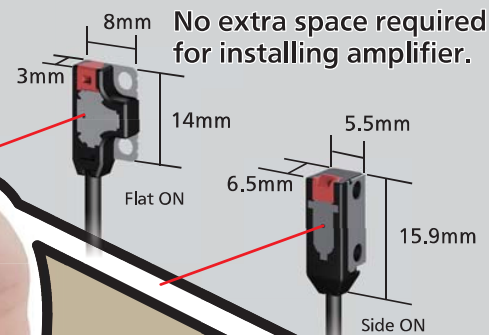


Actual size

**Amplifier built-in**  
**world's smallest**

Same size as fiber head even with a built-in amplifier!

Available in narrow gap where beam sensor could not be installed.



Detects 0.3mm  
very small objects  
**Slit built-in**

NO need to purchase slit separately!  
0.3 mm detection (Industry-minimum)  
is available without a optional slit.  
Providing a solution to detect small parts!



**No detailed**  
**setting required for**  
**simple detection**

Complicated settings like fiber sensors  
are not required .

Very simple & easy for  
anyone to install / replace



**More detail, go to**  
**watch the movie**

