

# SP-5700WC / SP-5800WC Premium XL Displays



## Features

- Enhanced glass top design
- Intuitive P-CAP touch panel operation
- Touch cancelation
- High durability aluminum bezel
- Front USB (Type A & Mini B)
- Extra large screen with high resolution

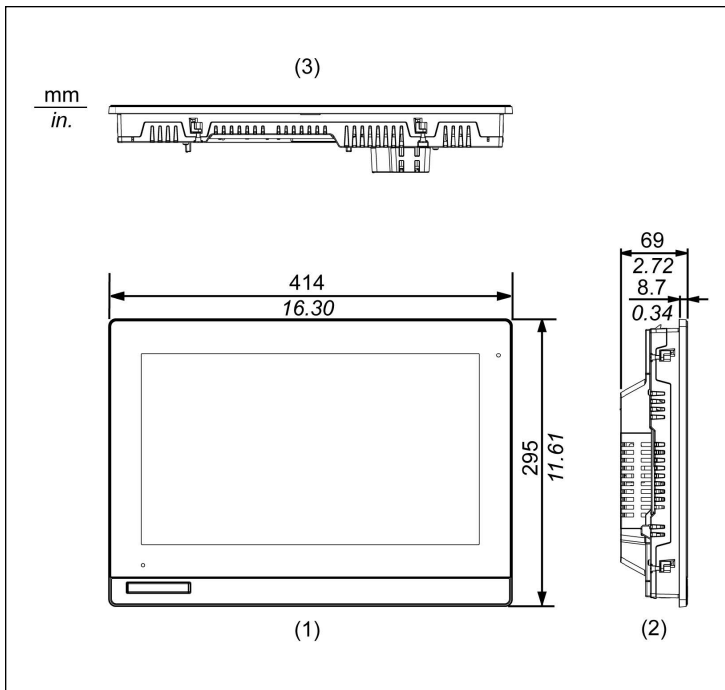
## Specifications

Model	SP-5700WC	SP5800WC
Part Number	PFXSP5700WCD	PFXSP5800WCD
Graphics Display Resolution	1,366 x 768 pixels (FWXGA)	
Display Type and Size	TFT Color LCD 15.6"	TFT Color LCD 18.5"
Display Colors	16 million colors	
Effective Display Area	W 344.2 x H 193.5mm (W 13.55 x H 7.62 in.)	W 409.8 x H 230.4mm (W 16.13 x H 9.07 in.)
Touch Screen	Projected Capacitive (multi-touch, 5 points)	
Touch Panel Resolution	2,048 x 2,048	
Touch Panel Service Life	50 million times or more	
Backlight	White LED (Not user replaceable. When replacement is required, contact your local distributor.)	
Backlight Service Life	50,000 hours or more (continuous operation at 25 °C [77 °F] before backlight brightness decreases to 50%.	
Brightness	0...100 (Adjusted with touch panel or software)	

## Specifications

Models	SP-5700WC	SP-5800WC
Part Number	PFXSP5700WCD	PFXSP5800WCD
Conformal Coating	-	
Input Voltage	12-24 Vdc (limits 10.8 -28.8 Vdc)	
Voltage Drop	12 Vdc: 1.25 ms or less / 24 Vdc: 5 ms or less	
In-Rush Current	30 A or less	
Voltage Endurance	1,000 Vac, 20 mA for 1 minute (between charging and FG terminals)	
Insulation Resistance	500 Vdc, 10 MΩ or more (between charging and FG terminals)	
Power Consumption	17W (max), 6W or less when screen turns off the backlight (Standby Mode), 8W or less (when screen backlight 20%)	19W (max), 8W or less when screen turns off the backlight (Standby Mode), 9W or less (when screen backlight 20%)
Surrounding Air Temperature	0...55 °C [32...131 °F]	
Storage Temperature	-20...60 °C [-4...140 °F]	
Certifications	CE, RoHS, GOST-R, UL/c-UL Class 1 Div 2, KC	
Ratings	When using a factory-installed front USB cover: IP65F, IP67F, Type 1. When using a front USB cover as an option: IP66F, IP67F, Type 1, Type 4X (Indoor Use Only)/13.	
Surrounding Air and Storage Humidity	10%...90% RH (Non condensing, wet bulb temperature 39 °C [102.2 °F] or less)	
Dust	0.1 mg/m3 (10-7 oz/ft3) or less (non-conductive levels)	
Pollution Degree	For use in Pollution Degree 2 environment	
Corrosive Gas	Free of corrosive gases	
Atmospheric Pressure (Operating Altitude)	800...1,114 hPa (2,000 m [6,561 ft] or lower)	
Vibration and Shock Resistance	IEC/EN 61131-2 compliant	
Electrostatic Discharge Immunity	Contact Discharge Method: 6 kV (IEC/EN 61000-4-2 Level 3)	
Weight	5.0kg (11.0 lb) or less	6.8kg (15.0 lb) or less
External Dimensions	414 x 295 x 69 mm (16.30 x 11.61 x 2.72 in)	483 x 337 x 69 mm (19.02 x 13.27 x 2.72 in)
Panel Cut Dimensions	396 x 277 mm (15.59 x 10.91 in)	465 x 319 mm (18.31 x 12.56 in)

**External Dimensions - SP-5700WC**



**Options**

Product	Part Number	Description
15.6" Wide Anti-Glare Sheet	PFXZCHAG152	Prevents reflections, dirt-resistant sheet for screen (5 sheets/set)
18.5" Wide Anti-Glare Sheet	PFXZCHAG192	Prevents reflections, dirt-resistant sheet for screen (5 sheets/set)
Enhanced front USB cover (with screw)	PFXZCDCVUS1	Front USB cover (screw fixing type). Corresponding to IP66F, IP67F, Type 1/4X Indoor Use. Only / 13 or ATEX certification (5 pieces/set)
15.6" Wide Installation	PFXZCGWG152	Replacement gasket to prevent water ingress through assembly (1 piece)
18.5" Wide Installation	PFXZCGWG192	Replacement gasket to prevent water ingress through assembly (1 piece)

**External Dimensions - SP-5800WC**

