

Pro-face

by Schneider Electric

ISOTRON
SYSTEMS

Graphic Operator Interface

SP5000 SERIES

smart





Flagship Model of HMI
for extensive use of information

SMART PORTAL

With increasingly sophisticated machine performance; production management and predictive maintenance utilizing operation data; and the growing popularity of the cloud, big data is coming to the manufacturing shop floor.

Pro-face has realized unprecedented connectivity in the new SMART PORTAL, creating a new interface designed firmly with the future in mind. The SP5000 series allows a huge variety of data to be downloaded to SMART PORTAL and transmitted in an optimal format to those who need it.

SMART PORTAL connects information and people for optimal communication



Valuable information in the right format



Having more information is not necessarily better than having less. Value is created when the right information reaches the right people in the right format.

Bring your factory closer to your office



By segmenting the network, SMART PORTAL makes it possible to connect factories and offices while ensuring the highest security.

Simple to use —any time, any place



Overseas production and the diversification of market needs have increased the need for efficient machine setup and maintenance.

Check out the Movies

These movies will give you more information about SMART PORTAL concepts and benefits.





SMART PORTAL links two previously separate worlds

Enterprise Network

Integrate different networks while ensuring sufficient security.



Wireless Antenna

HMI RELIABILITY

Communicate real-time with a range of control devices, and collect data at high speed.

IPC VERSATILITY

Utilize Windows applications to deal with alarms or maintenance.

Case 1 High performance HMI

Case 2 Application PC

Case 3 Maintenance PC

Case 4 Data Collection PC

Shop Floor Network

Connect various devices on your shop floor with programless.

Accurately convey vital information in the right way at the right time.

Case 1 High performance HMI

Provide real-time response

Improves rendering performance and achieves real-time response. With high-speed processing ensuring high-speed rendering, SMART PORTAL replaces devices that have suffered from unsatisfactory response speed in the past.

Case 2 Application PC

Use as a built-in application PC

SMART PORTAL can be used in environments where PCs have been built into machines to allow the use of Windows applications. Dedicated apps can be used on the SMART PORTAL.

Case 3 Maintenance PC

Use as a maintenance PC

Manuals and all kinds of development tools can be saved in SMART PORTAL. There is no need to take a PC down to the factory every time maintenance work needs to be done.

Case 4 Data Collection PC

Use as a data collection PC

Separate IP addresses can be allocated for SMART PORTAL's two Ethernet ports. A network with the highest security can be built between the office and the factory. In addition, collected data can be stored on NVRAM to protect from data loss.

Display × Box module design provides flexible functionality and size

- With a selection of six displays and two boxes available, there are twelve SMART PORTAL combinations to choose from.
- Modular design allows the display to be attached to and detached from the box, making it possible to replace only parts that need replacing

19" Wide 15" Wide 15" 12" 10"

Premium Display

Product Name	19" Wide	SP-5800WC
	15" Wide	SP-5700WC
	15"	SP-5700TP
	12"	SP-5660TP (Wireless LAN model)
	12"	SP-5600TP
	10"	SP-5500TP

Auto Scaling

A single screen data works on three sizes of premium displays for smooth management of mixed product lines.



Wireless LAN

Easily establish a wireless network in tough environments with a built-in antenna and IP67F-compliant protection structure.



Display extension Multi Display Adapter

Separate installation across long distances with a single LAN cable with Multi Display Adapter combined.



12" Wide 10" Wide 7" Wide

Advanced Display

Product Name	12" Wide	SP-5600WA
	10" Wide	SP-5500WA
	7" Wide	SP-5400WA



COMBINATIONS



Able to run a variety of Windows applications on WES7. (equipped with HMI Runtime standard)

Open Box

Product Name SP-5B41

Back Side Interfaces

Serial x2 Ethernet x2 USB (Type A) x2 USB (mini-B) x1 USB (Type A) x1 DVI-D x1 AUX x1 AUDIO Input x1

CFast / SD Card Slot

Set up screens by simply inserting a CFast (Open Box) or SD card (Power Box). No need for a separate PC.



USB Solutions / EZ Series

Extend functionality simply via a single USB cable.



Multi-Converter

Collect data of various device units without a display by combining DC Power Supply Adapter.



Power Box

Product Name SP-5B10

Back Side Interface

USB (mini-B) x1 AUX x1 Expansion Unit x1

Serial x2 Ethernet x2 USB (Type A) x2



HMI Screen Editor and Logic Programming Software

GP-Pro EX



Intuitive operation reduces development time required for screen creation.

Data Management Software

Pro-Server EX



Data-collecting software that easily connects the production site to the office through a network with simple settings at low cost.

Remote Monitoring Software for Mobile

Pro-face Remote HMI



Display and operate the factory via a tablet or smartphone.



Display Module - Premium Display



SP-5800WC
Model: PFXSP5800WCD



SP-5700WC
Model: PFXSP5700WCD



SP-5700TP
Model: PFXSP5700TPD



SP-5660TP
Model: PFXSP5660TPD



SP-5600TP
Model: PFXSP5600TPD



SP-5500TP
Model: PFXSP5500TPD

SP5000 Series is a combined unit of Display Module and Box Module.

The power consumption or weight for the combined unit equals each sum of power consumption or weight of the two modules.

Model Number Configuration

Display Module

PFXSP5 * * * * D

(1) (2) (3) (4) (5)

(1) Size	(2) Wireless LAN	(3) Resolution	(4) Touch Panel		(5) Power Supply
8 19"	60 Yes	T TFT	C	Projected Capacitive (5 points multi-touch)	D DC
7 15"	00 -	W Wide TFT	P	Resistive Film (analog, 2 points multi-touch)	
6 12"			A	Resistive Film (analog, single-touch)	
5 10"					
4 7"					

*Color selectable display modules are available. In addition to Silver, there are three optional colors, Coated models are also available as a customized product. (SP-5800WC and SP-5700WC excluded)

Black
Beige
Off-white

X

Box Module

PFXSP5 B * *

(6) (7)

(6) Module Type	(7) Class
B Box	41 Open
	10 Power

*Coated models are also available as a customized product.

Display Specifications

	Premium Display					
	SP-5800WC	SP-5700WC	SP-5700TP	SP-5660TP	SP-5600TP	SP-5500TP
Display Type	TFT color LCD					
Display Size	19" wide	15" wide	15"	12"		10"
Resolution	1,366 x 768 pixels (FWXGA)			1,024 x 768 pixels (XGA)		800 x 600 pixels (SVGA)
Auto Scaling	Yes					
Effective Display Area	W409.8 x H230.4mm (W16.13 x H9.07 in.)	W344.2 x H193.5mm (W13.55 x H7.62 in.)	W304.1 x H228.1mm (W11.97 x H8.98 in.)	W245.8 x H184.3mm (W9.68 x H7.26 in.)		W211.2 x H158.4mm (W8.31 x H6.24 in.)
Display Colors	16 million colors					
Backlight	White LED (Not user replaceable. When replacement is required, contact your local Pro-face distributor.)					
Backlight Service Life	50,000 hours or more (continuous operation at 25 °C [77 °F] before backlight brightness decreases to 50%)					
Brightness Control	0...100 (Adjusted with touch panel or software)					
Brightness Sensor	Yes					
Front USB Interface	Yes					
Touch Panel Type	Projected Capacitive (5 points multi-touch)			Resistive Film (analog, 2 points multi-touch)		
Touch Panel Resolution	2,048 x 2,048			1,024 x 1,024		
Touch Panel Service Life	50 million times or more			1 million times or more		

Electrical Specifications

	Premium Display						
	SP-5800WC	SP-5700WC	SP-5700TP	SP-5660TP	SP-5600TP	SP-5500TP	
Rated Input Voltage	12...24 Vdc						
Input Voltage Limits	10.8...28.8 Vdc						
Voltage Drop	12 Vdc : 1.25 ms or less 24 Vdc : 5 ms or less						
Power Consumption *1	Max	19 W	17 W	22 W	23 W	21 W	15 W
	When power is not supplied to devices via front USB	16 W or less	14 W or less	19 W or less	20 W or less	18 W or less	12 W or less
	When screen turns off the backlight (Standby Mode)	8 W or less	6 W or less	6 W or less	8 W or less	6 W or less	6 W or less
	When screen backlight 20%	9 W or less	8 W or less	11 W or less	13 W or less	11 W or less	8 W or less
In-Rush Current	30 A or less						
Voltage Endurance	1,000 Vac, 20 mA for 1 minute (between charging and FG terminals)						
Insulation Resistance	500 Vdc, 10 MΩ or more (between charging and FG terminals)						

*1 Power Consumption for Display Module only.



Display Module - Premium Display

■ Environmental Specification

	Premium Display					
	SP-5800WC	SP-5700WC	SP-5700TP	SP-5660TP	SP-5600TP	SP-5500TP
Surrounding Air Temperature	0...55 °C (32...131 °F)			0...60 °C (32...140 °F)		
Storage Temperature	-20...60 °C (-4...140 °F)					
Surrounding Air and Storage Humidity	10%...90% RH (Non condensing, wet bulb temperature 39 °C [102.2 °F] or less)					
Dust	0.1 mg/m3 (10-7 oz/ft3) or less (non-conductive levels)					
Pollution Degree	For use in Pollution Degree 2 environment					
Corrosive Gases	Free of corrosive gases					
Atmospheric Pressure (Operating Altitude)	800...1,114 hPa (2,000 m [6,561 ft] or lower)					
Vibration Resistance	IEC/EN 61131-2 compliant 5...9 Hz Single amplitude 3.5 mm (0.14 in.) 9...150 Hz Fixed acceleration: 9.8 m/s2 X, Y, Z directions for 10 cycles (approx. 100 min.)					
Shock Resistance	IEC/EN 61131-2 compliant 147 m/s2, X, Y, Z directions for 3 times					
Noise Immunity	Noise Voltage: 1,000 Vp-p Pulse Duration: 1 µs Rise Time: 1 ns (via noise simulator)					
Electrostatic Discharge Immunity	Contact Discharge Method: 6 kV (IEC/EN 61000-4-2 Level 3)					

■ Interface Specification

	Premium Display					
	SP-5800WC	SP-5700WC	SP-5700TP	SP-5660TP	SP-5600TP	SP-5500TP
Wireless LAN	-	-	-	Yes	-	-
USB (Type A) *2	Connector: USB 2.0 (Type A) x 1, Power Supply Voltage: 5 Vdc ±5 %, Maximum Current Supplied: 500 mA, Maximum Transmission Distance: 5 m (16.4 ft)					
USB (mini B)	Connector: USB 2.0 (mini B) x 1, Maximum Transmission Distance: 5 m (16.4 ft)					

*2 When using the Display Module with the Power Box, you can connect only one of each type of USB device, such as one USB flash drive, one transfer cable, or one bar code reader. If you connect multiple devices that are the same type, only the first device will work.

■ Wireless LAN Specification (Only for SP-5660TP)*3 *4

Standards	IEEE802.11b/IEEE802.11g/IEEE802.11n
Frequency Bandwidth	2.4 GHz
Channel Bandwidth	20 MHz
Channel	Access Point mode*5: 1...11ch Client mode*6: North America US: 1...11 ch, Japan JP: 1...13 ch, Europe EU: 1...13 ch, Korea KR: 1...13 ch, China CN: 1...13 ch, Taiwan TW: 1...11 ch
Transmission Speed	IEEE802.11b : max 11Mbps, IEEE802.11g : max 54 Mbps, IEEE802.11n : max 72.2 Mbps
Action Mode	Client mode/Access Point mode
Communication Mode	Infrastructure
Network Authentication	Open, WPA-Personal, WPA2-Personal
Data Encryption	WEP (128 bit)(Open)*7, AUTO/TKIP (WPA-Personal), AES (WPA2-Personal)
Maximum Client Connections	10
Transmission Distance	You can connect only from the front of the display. The connection angle and distance depend on your operating environment, applications in use, and target communication devices. Conduct an operation test, including directivity, in the operating environment before use.

*3 Use Wireless LAN in a configuration with Open Box Module combined.

*4 Do not use wireless communication for operation of device units. It's necessary to consider possibilities of communication interference.

*5 In Access Point mode, IEEE802.11d is not supported.

*6 If the surrounding access points do not support IEEE802.11d, channels are limited, from 1 to 11 ch.

*7 In Access Point mode, WEP is not supported.

■ Structural Specification

	Premium Display					
	SP-5800WC	SP-5700WC	SP-5700TP	SP-5660TP	SP-5600TP	SP-5500TP
Grounding	Functional grounding: Grounding resistance of 100 Ω, 2 mm2 (AWG 14) or thicker wire, or your country's applicable standard (same for FG and SG terminals).					
Cooling Method	Natural air circulation					
Structure *8	When using a factory-installed front USB cover: IP65F, IP67F. When using a front USB cover option (PFZCDCVUS1): IP66F, IP67F, Type 4X (Indoor Use Only)/13 * The front face of this product when properly installed in an enclosure and not using the front panel USB port.					
External Dimensions	W483 x H337 x D69 mm (W19.02 x H13.27 x D2.72 in.)	W414 x H295 x D69 mm (W16.30 x H11.61 x D2.72 in.)	W397 x H296 x D67 mm (W15.6 x H11.7 x D2.64 in.)	W315 x H241 x D67 mm (W12.4 x H9.49 x D2.64 in.)	W272.5 x H214.5 x D67 mm (W10.73 x H8.44 x D2.64 in.)	W272.5 x H214.5 x D67 mm (W10.73 x H8.44 x D2.64 in.)
Panel Cut Dimensions *9	W465 x H319 mm (W18.31 x H12.56 in.)	W396 x H277 mm (W15.59 x H10.91 in.)	W383.5 x H282.5mm (W15.1 x H11.12 in.)	W301.5 x H227.5 mm (W11.87 x H8.96 in.)	W259 x H201 mm (W10.2 x H7.91 in.)	W259 x H201 mm (W10.2 x H7.91 in.)
Weight *10	6.8 kg (15.0 lb) or less	5 kg (11.0 lb) or less	4.5 kg (9.9 lb) or less	3.2 kg (7.1 lb) or less	3.2 kg (7.1 lb) or less	2.7 kg (5.9 lb) or less

*8 The front face of this product, installed in a solid panel, has been tested using conditions equivalent to the standards shown in the specification.

*9 For dimensional tolerance, everything +1/-0mm (+0.04/-0 in.) and R in angle are below R3 (R0.12 in.)

*10 Weight for Display Module only

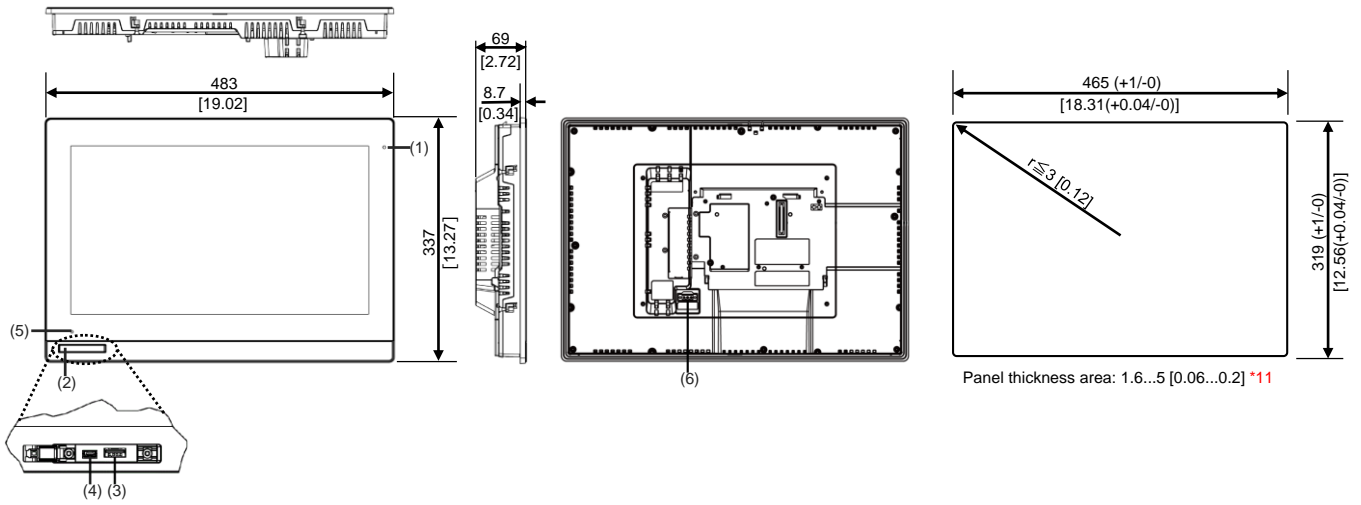


Display Module - Premium Display

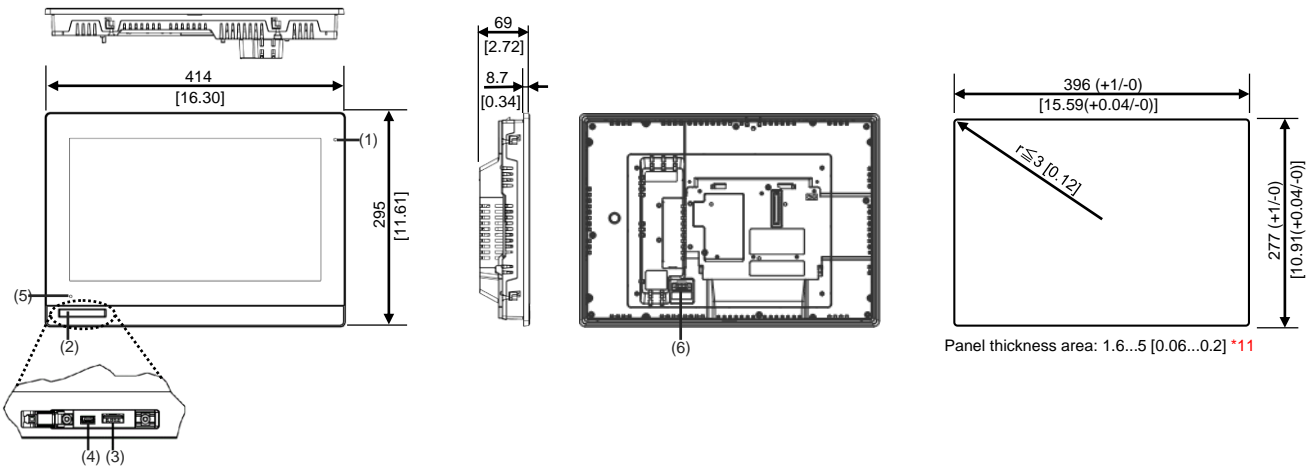
External Dimensions / Parts Identification / Panel Cut Dimensions

SP-5800WC

mm [in.]



SP-5700WC



(1)Brightness Sensor (2)Front USB Cover (3)USB (Type A) Interface (4)USB (mini B) Interface (5)Status LED (6)Power Supply Connector

*11 Even if the installation wall thickness is within the recommended range for the "Panel Cut Dimensions", depending on wall's material, size, and installation location of this product and other devices, the installation wall could warp. To prevent warping, the installation surface may need to be strengthened.

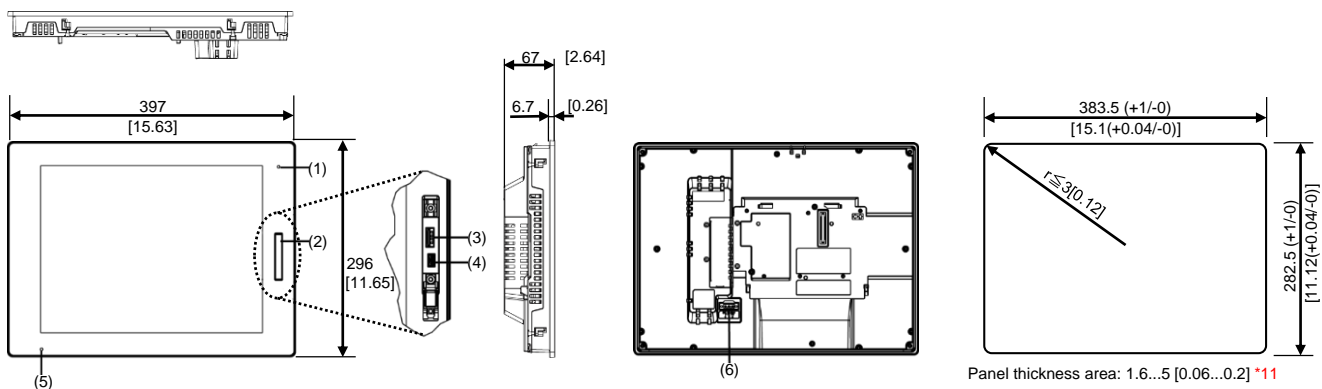


Display Module - Premium Display

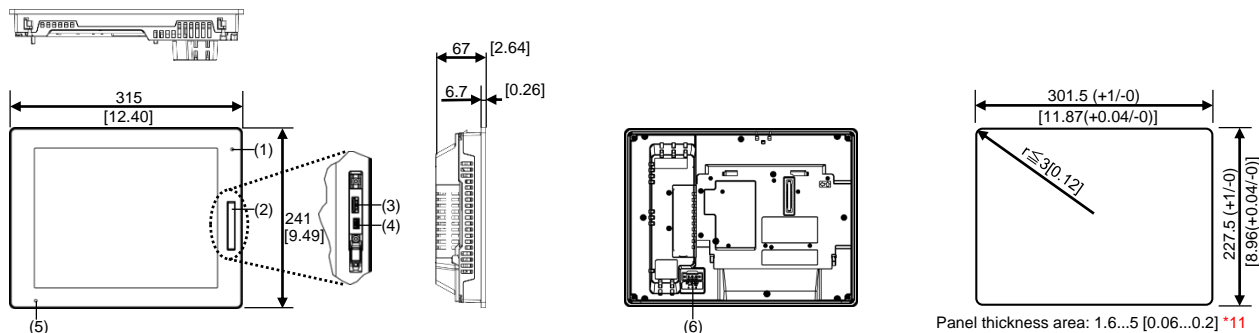
External Dimensions / Parts Identification / Panel Cut Dimensions

SP-5700TP

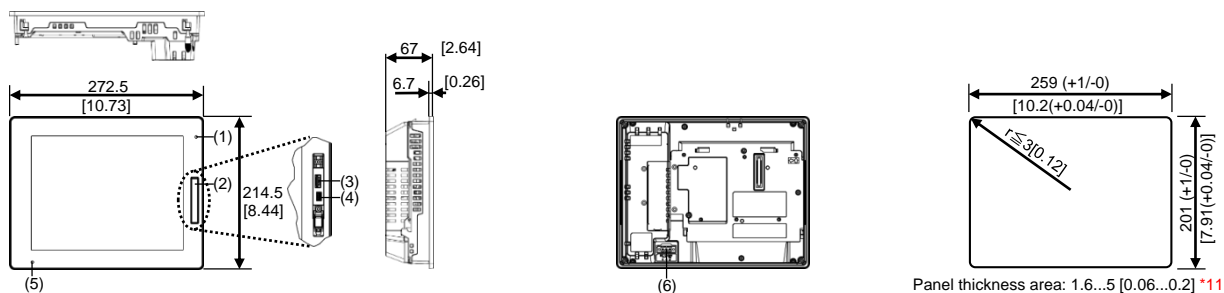
mm [in.]



SP-5660TP / SP-5600TP



SP-5500TP



(1)Brightness Sensor (2)Front USB Cover (3)USB (Type A) Interface (4)USB (mini-B) Interface (5)Status LED (6)Power Supply Connector

*12 Even if the installation wall thickness is within the recommended range for the "Panel Cut Dimensions", depending on wall's material, size, and installation location of this product and other devices, the installation wall could warp. To prevent warping, the installation surface may need to be strengthened.



Display Module - Advanced Display



SP-5600WA
Model: PFXSP5600WAD



SP-5500WA
Model: PFXSP5500WAD



SP-5400WA
Model: PFXSP5400WAD

SP5000 Series is a combined unit of Display Module and Box Module.

The power consumption or weight for the combined unit equals each sum of power consumption or weight of the two modules.

Model Number Configuration

Display Module

PFXSP5 * * * * * D
(1) (2) (3) (4) (5)

	(1) Size		(2) Wireless LAN		(3) Resolution		(4) Touch Panel			(5) Power Supply	
8	19"	60	Yes	T	TFT	C	Projected Capacitive (5 points multi-touch)			D	DC
7	15"	00	-	W	Wide TFT	P	Resistive Film (analog, 2 points multi-touch)				
6	12"					A	Resistive Film (analog, single-touch)				
5	10"										
4	7"										

*Color selectable display modules are available. In addition to Silver, there are three optional colors, Black Beige Off-white
 Coated models are also available as a customized product.

×

Box Module

PFXSP5 B * *
(6) (7)

	(6) Module Type		(7) Class	
B	Box	41	Open	
		10	Power	

*Coated models are also available as a customized product.

Display Specifications

	Advanced Display		
	SP-5600WA	SP-5500WA	SP-5400WA
Display Type	TFT color LCD		
Display Size	12" wide	10" wide	7" wide
Resolution	1,280 x 800 pixels (WXGA)		800 x 480 pixels (WVGA)
Auto Scaling	-		
Effective Display Area	W261.1 x H163.2 mm (W10.28 x H6.43 in.)	W217.0 x H135.6 mm (W8.54 x H5.34 in.)	W154.1 x H95.9 mm (W6.06 x H3.78 in.)
Display Colors	262,144 colors		
Backlight	White LED (Not user replaceable. When replacement is required, contact your local Pro-face distributor.)		
Backlight Service Life	50,000 hours or more (continuous operation at 25 °C [77 °F] before backlight brightness decreases to 50%)		
Brightness Control	0...100 (Adjusted with touch panel or software)		
Brightness Sensor	-		
Front USB Interface	-		
Touch Panel Type	Resistive Film (analog)		
Touch Panel Resolution	1,024 x 1,024		
Touch Panel Service Life	1 million times or more		

Electrical Specifications

	Advanced Display			
	SP-5600WA	SP-5500WA	SP-5400WA	
Rated Input Voltage	12...24 Vdc			
Input Voltage Limits	10.8...28.8 Vdc			
Voltage Drop	12 Vdc: 1.25 ms or less 24 Vdc: 5 ms or less			
Power Consumption *1	Max	11.5 W	8.5 W	6.5 W
	When power is not supplied to devices via front USB	-		
	When screen turns off the backlight (Standby Mode)	2.5 W or less		2 W or less
	When screen backlight 20%	6 W or less	5 W or less	4 W or less
In-Rush Current	30 A or less			
Voltage Endurance	1,000 Vac, 20 mA for 1 minute (between charging and FG terminals)			
Insulation Resistance	500 Vdc, 10 MΩ or more (between charging and FG terminals)			

*1 Power Consumption for Display Module only.



Display Module - Advanced Display

■ Environmental Specification

	Advanced Display		
	SP-5600WA	SP-5500WA	SP-5400WA
Surrounding Air Temperature	0...60 °C (32...140 °F)		
Storage Temperature	-20...60 °C (-4...140 °F)		
Surrounding Air and Storage Humidity	10%...90% RH (Non condensing, wet bulb temperature 39 °C [102.2 °F] or less)		
Dust	0.1 mg/m ³ (10-7 oz/ft ³) or less (non-conductive levels)		
Pollution Degree	For use in Pollution Degree 2 environment		
Corrosive Gases	Free of corrosive gases		
Atmospheric Pressure (Operating Altitude)	800...1,114 hPa (2,000 m [6,561 ft] or lower)		
Vibration Resistance	IEC/EN 61131-2 compliant 5...9 Hz Single amplitude 3.5 mm (0.14 in.) 9...150 Hz Fixed acceleration: 9.8 m/s ² X, Y, Z directions for 10 cycles (approx. 100 min.)		
Shock Resistance	IEC/EN 61131-2 compliant 147 m/s ² , X, Y, Z directions for 3 times		
Noise Immunity	Noise Voltage: 1,000 Vp-p Pulse Duration: 1 µs Rise Time: 1 ns (via noise simulator)		
Electrostatic Discharge Immunity	Contact Discharge Method: 6 kV (IEC/EN 61000-4-2 Level 3)		

■ Interface Specification

	Advanced Display		
	SP-5600WA	SP-5500WA	SP-5400WA
Wireless LAN	-		
USB (Type A)	-		
USB (mini B)	-		

■ Structural Specification

	Advanced Display		
	SP-5600WA	SP-5500WA	SP-5400WA
Grounding	Functional grounding: Grounding resistance of 100 Ω, 2 mm ² (AWG 14) or thicker wire, or your country's applicable standard (same for FG and SG terminals).		
Cooling Method	Natural air circulation		
Structure *8	IP66F, IP67F, TYPE 4X (Indoor Use Only)/13 * on the front panel when properly installed in an enclosure.		
External Dimensions	W308.5 x H230.5 x D67 mm (W12.15 x H9.07 x D2.64 in.)	W268.5 x H198.5 x D67 mm (W10.57 x H7.81 x D2.64 in.)	W203.6 x H148.6 x D36 mm (W8.02 x H5.85 x D1.42 in.)*12
Panel Cut Dimensions *9	W295 x H217 mm (W11.61 x H8.54 in.)	W255 x H185 mm (W10.04 x H7.28 in.)	W190 x H135 mm (W7.48 x H5.31 in.)
Weight *10	3 kg (6.6 lb) or less	2.5 kg (5.5 lb) or less	1.2 kg (2.6 lb) or less

*8 The front face of this product, installed in a solid panel, has been tested using conditions equivalent to the standards shown in the specification.

*9 For dimensional tolerance, everything +1/-0 mm (+0.04/-0 in.) and R in angle are below R3 (R0.12 in.)

*10 Weight for Display Module only

*12 When combined with Box Module, the depth is 67 mm (2.64 in.).

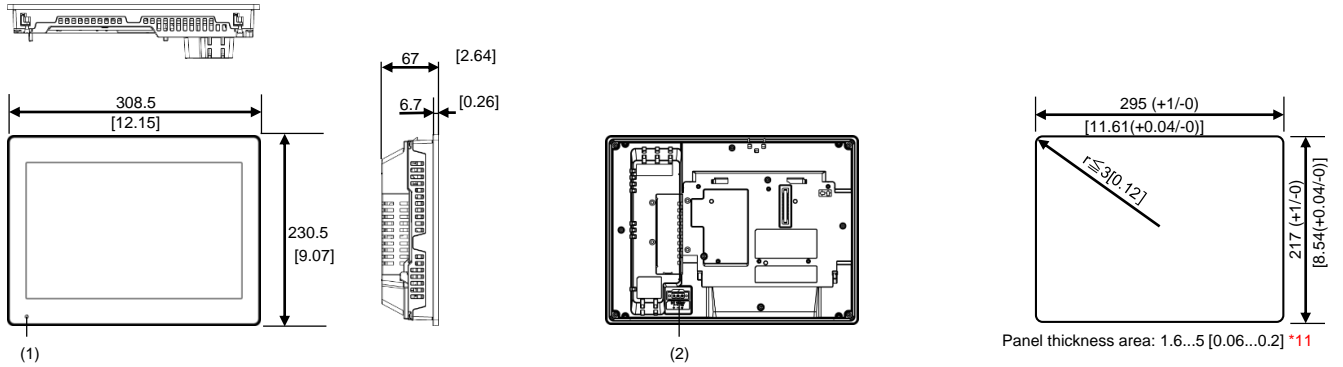


Display Module - Advanced Display

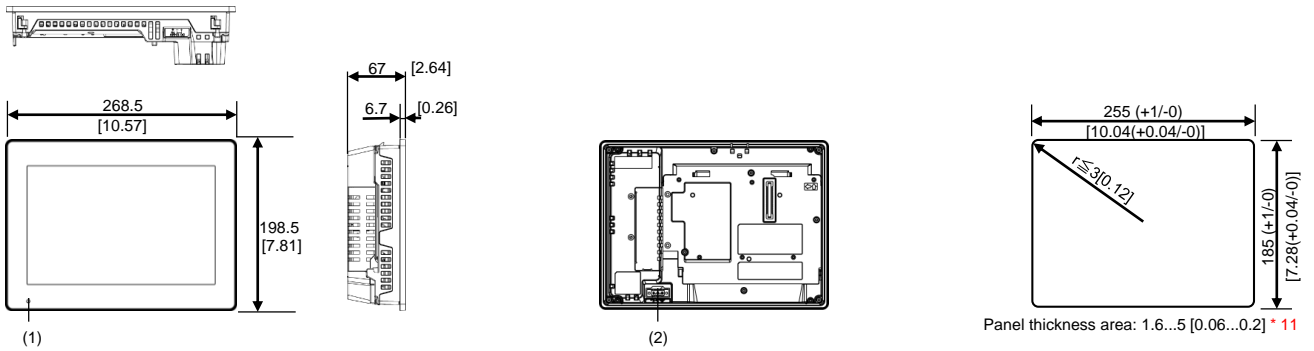
External Dimensions / Parts Identification / Panel Cut Dimensions

SP-5600WA

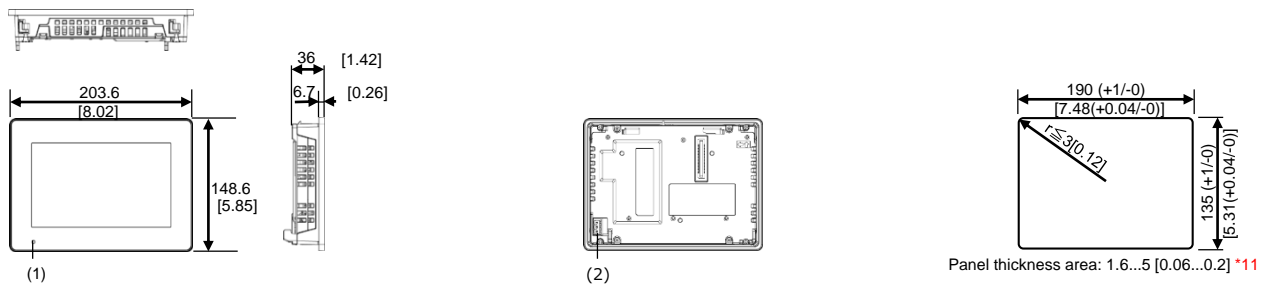
mm [in.]



SP-5500WA



SP-5400WA



(1)Status LED (2)Power Supply Connector

*11 Even if the installation wall thickness is within the recommended range for the "Panel Cut Dimensions", depending on wall's material, size, and installation location of this product and other devices, the installation wall could warp. To prevent warping, the installation surface may need to be strengthened.



Box Module



SP-5B41

Model: PFXSP5B41



SP-5B10

Model: PFXSP5B10

SP5000 Series is a combined unit of Display Module and Box Module.

The power consumption or weight for the combined unit equals each sum of power consumption or weight of the two modules.

Model Number Configuration

Display Module

PFXSP5 * * * * * D

(1) (2) (3) (4) (5)

(1) Size	(2) Wireless LAN	(3) Resolution	(4) Touch Panel	(5) Power Supply
8 19"	60 Yes	T TFT	C Projected Capacitive (5 points multi-touch)	D DC
7 15"	00 -	W Wide TFT	P Resistive Film (analog, 2 points multi-touch)	
6 12"			A Resistive Film (analog, single-touch)	
5 10"				
4 7"				

*Color selectable display modules are available. In addition to Silver, there are three optional colors, Black Beige Off-white

Coated models are also available as a customized product.

×

Box Module

PFXSP5 B * *

(6) (7)

(6) Module Type	(7) Class
B Box	41 Open
	10 Power

*Coated models are also available as a customized product.

Electrical Specifications

		Open Box SP-5B41	Power Box SP-5B10
Rated Input Voltage		12 Vdc (Supply from Display Module)	
Power Consumption*13	Max	25 W	25 W
	When power is not supplied to external devices	15 W or less	12.5 W or less

*13 Power consumption for Box Module only

Environmental Specifications

	Open Box SP-5B41	Power Box SP-5B10
Surrounding Air Temperature	0...60 °C (32...140 °F)	
Storage Temperature	-20...60 °C (-4...140 °F)	
Surrounding Air and Storage Humidity	10%...90% RH (Non condensing, wet bulb temperature 39 °C [102.2 °F] or less)	
Dust	0.1 mg/m3 (10-7 oz/ft3) or less (non-conductive levels)	
Pollution Degree	For use in Pollution Degree 2 environment	
Corrosive Gases	Free of corrosive gases	
Atmospheric Pressure (Operating Altitude)	800...1,114 hPa (2,000 m [6,561 ft] or lower)	
Vibration Resistance	IEC/EN 61131-2 compliant 5...9 Hz Single amplitude 3.5 mm (0.14 in.) 9...150 Hz Fixed acceleration: 9.8 m/s2 X, Y, Z directions for 10 cycles (approx. 100 min.)	
Shock Resistance	IEC/EN 61131-2 compliant 147 m/s2, X, Y, Z directions for 3 times	
Noise Immunity	Noise Voltage: 1,000 Vp-p Pulse Duration: 1 μs Rise Time: 1 ns (via noise simulator)	
Electrostatic Discharge Immunity	Contact Discharge Method : 6 kV (IEC/EN 61000-4-2 Level 3)	



Box Module

Memory

	Open Box	Power Box
	SP-5B41	SP-5B10
Application Memory	Screen Size: 64 MB *CFast card Free Space: About 17 GB *14	Screen Size: 64 MB *SD card Free Space: None
Backup Memory	NVRAM 320 KB	
Control Memory	-	64 KB

*14 You can install the applications you have used. As for hardware specifications, the CPU is Intel® Atom E3825 1.33GHz (Dual core/Dual thread) and the main memory is 'DDR3L SDRAM 2GB'. For the other hardware specifications, refer to "SP5000 Series Open Box Reference Manual".

Interface Specifications

	Open Box	Power Box
	SP-5B41	SP-5B10
Serial Interface COM1	RS-232C/422/485, Data Length: 7 or 8 bits, Stop Bit: 1 or 2 bits Parity: None, odd, or even, Data Transmission Speed: 2,400 (1,200) to 115,200 bps Connector: D-Sub 9 pin (plug)	
Serial Interface COM2	RS-232C/422/485, Data Length: 7 or 8 bits Stop Bit: 1 or 2 bits Parity: None, odd, or even Data Transmission Speed: 2,400(1,200)...115,200 bps Connector: D-Sub 9 pin (plug)	RS-232C/422/485, Data Length: 7 or 8 bits Stop Bit: 1 or 2 bits Parity: None, odd, or even Data Transmission Speed: 2,400(1,200)...115,200 bps, 187,500bps (MPI) Connector: D-Sub 9 pin (plug)
USB (Type A) Interface *2	Connector: USB 2.0 (Type A) x 3 Power Supply Voltage: 5 Vdc ±5% Maximum Current Supplied: 500 mA /port, 1 A total for 3 ports Maximum Transmission Distance: 5 m	Connector: USB 2.0 (Type A) x 2 Power Supply Voltage: 5 Vdc ±5% Maximum Current Supplied: 500 mA / port Maximum Transmission Distance: 5 m
USB (mini-B) Interface	Connector: USB 2.0 (mini-B) x 1, Maximum Transmission Distance: 5m (16.4 ft)	
Ethernet Interface	Standard: IEEE802.3i/IEEE802.3u/IEEE802.3ab, 10BASE-T/100BASE-TX/1000BASE-T Connector: Modular jack (RJ-45) x 2	
SD Card Interface	SD Card Slot (Storage) x 1	SD Card Slot (System) x 1 SD Card Slot (Storage) x 1
CFast Card Interface	CFast Card Slot (System) x 1 CFast Card Slot (Storage) x 1	-
Video Interface	DVI-D OUT Connector: DVI-D 24 pin (socket) x 1	-
Sound Input Interface	Sound Input: MIC or LINE input (software switch) Connector: MINI-JACK ø3.5 x 1	-
Sound Output Interface	Speaker Output: 300 mW (Rated Load: 8 Ω, Frequency : 1kHz) LINE Output: Rated load: 10 kΩ or more Connector: 2-piece terminal block (AUX) x 1	
AUX Input /Output Interface	Alarm Output / Buzzer Output Rated Voltage: 24 Vdc, Rated Current: 50 mA or less Connector: 2-piece terminal block x 1	

*2 When using the Display Module with the Power Box, you can connect only one of each type of USB device, such as one USB flash drive, one transfer cable, or one bar code reader. If you connect multiple devices that are the same type, only the first device will work.

Structural Specifications

	Open Box	Power Box
	SP-5B41	SP-5B10
Cooling Method	Natural air circulation	
External Dimensions *15	W188 x H131 x D45 mm (W7.4 x H5.16 x D1.77 in.)	
Weight *15	0.9 kg (1.98 lb) or less	

*15 External Dimensions and Weight for Box Module only

External Dimensions / Parts Identifications

SP-5B41	mm [in.]	SP-5B10	mm [in.]
(1)Auxiliary Output/Speaker Output Interface (AUX) (2)DVI-D Output Interface (3)AUDIO Input Interface (LIN/MIC) (4)Status LED (5)Card Access LED (6)USB (Type A) Interface (7)USB (mini-B) Interface (8)Expansion Unit Interface Cover (EXT) (9)Storage Card Cover (10)System Card Cover (11)USB (Type A) Interface (12)Ethernet Interface (ETH1) (13)Ethernet Interface (ETH2) (14)Serial Interface (COM1) (15)Serial Interface (COM2)		(1)Auxiliary Output/Speaker Output Interface (AUX) (2)Status LED (3)Card Access LED (4)USB (mini-B) Interface (5)Expansion Unit Interface Cover (EXT) (6)Storage Card Cover (7)System Card Cover (8)USB (Type A) Interface (9)Ethernet Interface (ETH1) (10)Ethernet Interface (ETH2) (11)Serial Interface (COM1) (12)Serial Interface (COM2)	



Your choice of platform

Mobile



Allows you to monitor & control Pro-face HMI screen on a smart smart phone or a tablet seeing machine information wherever you go.

Pro-face Remote HMI



HMI Human Machine Interfaces

Offer extensive connectivity, clean, clear displays, and wide variety of product lines - standard, compact, modular, and handheld HMIs.

HMI+Control

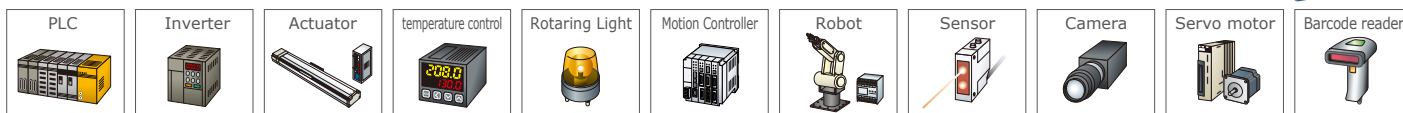
Offer lower overall system costs and less panel space. Combines built-in PLC functionality with an operator interface, which is all-in-one software.

IPC Industrial Windows Personal Computer

Offer a wide selection with technology to meet your exact needs, Available in Box & Panel types with sustainability, durability and expandability.



Direct connection via our products to various devices enabled with our all-in-one software



www.proface.com

WARNING

HAZARD OF OPERATOR INJURY, OR UNINTENDED EQUIPMENT DAMAGE

Before operating any of these products, be sure to read all related manuals thoroughly.

Failure to follow these instructions can result in death, serious injury, or equipment damage.

- For printing purposes, the colors in this catalog may differ from those of the actual unit.
- Actual user screens may differ from the screens shown here.
- Electrical equipment should be installed, operated, serviced, and maintained only by qualified personnel.
- All product names used in this catalog are the registered trademarks or trademarks of their respective companies.
- All information contained in this catalog is subject to change without notice.

Global Headquarters Schneider Electric Japan Holdings Ltd. Pro-face Japan Tokyo, JAPAN Tel: +81 (0)3-5931-7651 www.proface.com	South Korea Pro-face by Schneider Electric Seoul, SOUTH KOREA Tel: +82 (0)2-2630-9850 www.proface.co.kr	North/South American Headquarters Pro-face America, Inc. Pro-face America Ann Arbor, MI, USA Tel: +1 734-477-0600 www.profaceamerica.com	European Headquarters Pro-face Europe B.V. Pro-face Europe Hoofddorp, THE NETHERLANDS Tel: 31 (0)23-55-44-099 www.proface.eu	France Pro-face France Mity-Mory, FRANCE Tel: +33 1-60-21-22-91 www.proface.fr	Poland Pro-face by Schneider Electric Warszawa, POLAND Tel: +48 22-511-83-28 www.proface.pl
Australia/New Zealand Pro-face by Schneider Electric New South Wales, AUSTRALIA Tel: +61 1300-369-233 www.proface.com.au	Singapore Pro-face by Schneider Electric TechPoint, SINGAPORE Tel: +65 6484-7877 www.proface.sg	Brazil Pro-face America Sao Paulo, BRAZIL Tel: +1 734-477-0600 www.profaceamerica.com	Austria Pro-face Austria Leonding, AUSTRIA Tel: +43 732-6933-0 www.proface.at	Germany Pro-face by Schneider Electric Ratingen, GERMANY Tel: +49 2102-404-6322/6323 www.proface.de	Spain and Portugal Pro-face by Schneider Electric Barcelona, SPAIN Tel: +34 93-846-07-45 www.proface.es
China Pro-face China International Trading Shanghai, P.R.CHINA Tel: +86 21-6361-5175 www.proface.com.cn	Taiwan Pro-face by Schneider Electric Taipei, TAIWAN Tel: +886 (0)2-2657-1121 www.proface.com.tw	Canada Pro-face by Schneider Electric Ontario, CANADA Tel: +1 734-477-0600 www.profaceamerica.com	Belgium Pro-face by Schneider Electric Brussels, BELGIUM Tel: +32 (0)2-373-75-02(NL) +32 (0)2-373-75-01(FR) www.proface.be	Italy Pro-face by Schneider Electric Milano, ITALY Tel: +39 (0)11-40-73-333 www.proface.it	Switzerland Pro-face Schweiz GmbH Ittigen BE, SWITZERLAND Tel: +41 43-343-7272 www.proface.ch
India Pro-face by Schneider Electric Bangalore, INDIA Tel: +91 80-4333-3540/3541 www.proface.co.in	Thailand Pro-face by Schneider Electric Bangkok, THAILAND Tel: +66 (0)2-617-5678 www.proface.co.th	Mexico Pro-face America Nuevo Leon, MEXICO Tel: +1 734-477-0600 www.profaceamerica.com	Denmark and Sweden Pro-face by Schneider Electric Ballerup, DENMARK Tel: +45-88-30-23-00 www.proface.dk	The Netherlands Pro-face by Schneider Electric Hoofddorp, THE NETHERLANDS Tel: +31 23-5124-124 www.proface.nl	United Kingdom Pro-face by Schneider Electric Coventry, UNITED KINGDOM Tel: +44 2476-847655 www.proface.co.uk



Isotron Systems B.V.
 Afrikalaan 21-23, 's-Hertogenbosch
 tel: +31 (0)73 639 1639
www.isotron.eu / info@isotron.eu

Isotron Systems BVBA
 Antwerpse Steenweg 45, Willebroek
 tel: +32(0)3 450 70 45
www.isotron.eu / info@isotron.eu