

Description



Together with the NG series RFID safety switches with guard locking, the **P-KUBE 2** safety handles form an integrated locking system for guards that enables access control to dangerous areas, offering an effective solution to designers and installers for problems related to the mechanical precision of the movements of the guard.

The basic principle of this product series is to use the self-centering properties of the actuator on the NG switch by means of hinge pins and a large insertion range into the device. The use of fixing plates with slotted holes also allows for easy and quick alignment of the switch and actuator.

The lock out device is used to block the door in the open position and prevent an unexpected system restart when maintenance personnel access the system.

Thanks to their adjustable design these handles can be installed on different types of doors or barriers: hinged or sliding, right or left closing, as well as on various types of profiles.

Maximum safety with a single device

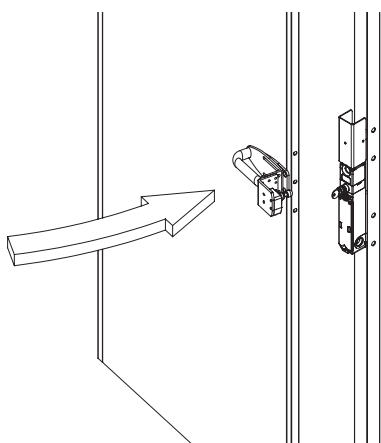
PL e+ SIL 3

The P-KUBE 2 safety handles can be combined with the NG series switches. As a result, the maximum PL e and SIL 3 safety levels can be achieved through the use of a single device on a guard. This avoids expensive wiring in the field and allows faster installation. Inside the control cabinet, the two electronic safety outputs must be connected to a safety module with OSSD inputs or to a safety PLC.

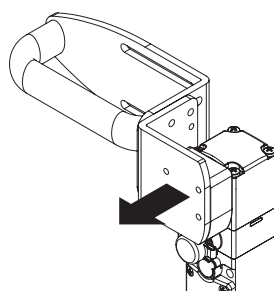
Easy to use

There are no specific sequences required for opening or closing the door, but only a single opening / closing movement.

If the door interlock is realised by means of a handle provided with a release push button, the door can be opened with a single movement even under stress (panic situations).

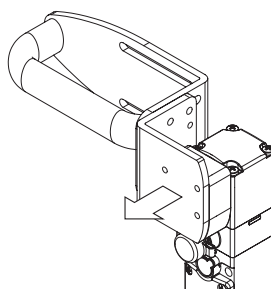


Holding force of the locked actuator



9750 N The strong interlocking system guarantees a maximum actuator holding force of $F_{1max} = 9750$ N. This is one of the highest values currently available on the market today, making this device suitable for heavy-duty applications.

Holding force of the unlocked actuator



The inside of each switch features a device which holds the actuator in its closed position. Ideal for all those applications where several doors are unlocked simultaneously, but only one is actually opened. The device keeps all the unlocked doors in their position with a retaining force of 30 N, stopping any vibrations or gusts of wind from opening them.

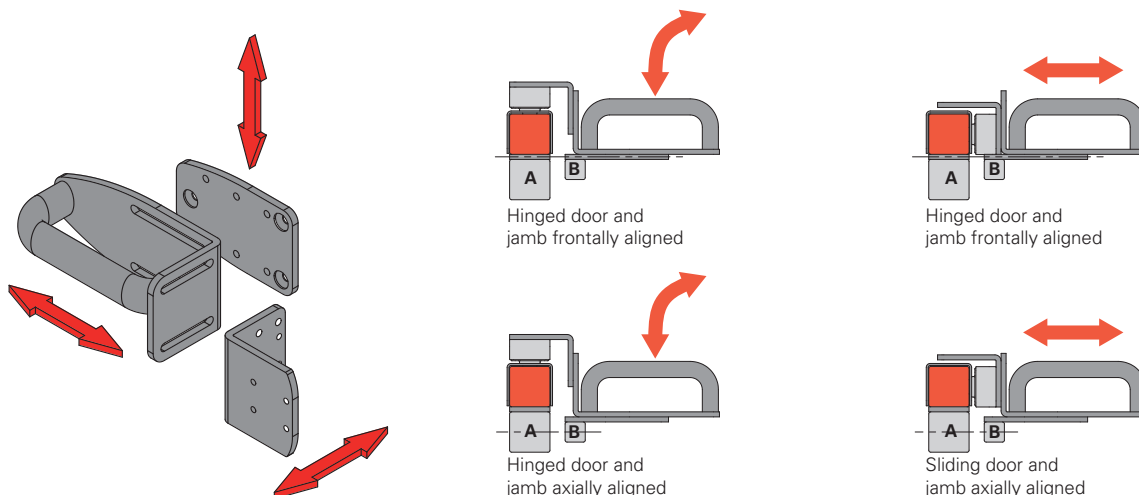
Sturdiness and easy installation

The handle is provided with 5 mm thick sturdy brackets in painted steel. The slots in the brackets allow independent adjustments to be performed. This ensures easy installation, eliminating the need to make changes to structure of the existing guard.

The adjustments make it possible to attach the handle to aluminium profiles or steel frames of various dimensions, from 40 x 40 mm to 80 x 80 mm for the frame jamb (A) and from 20 x 20 mm to 40 x 40 mm for the door (B).

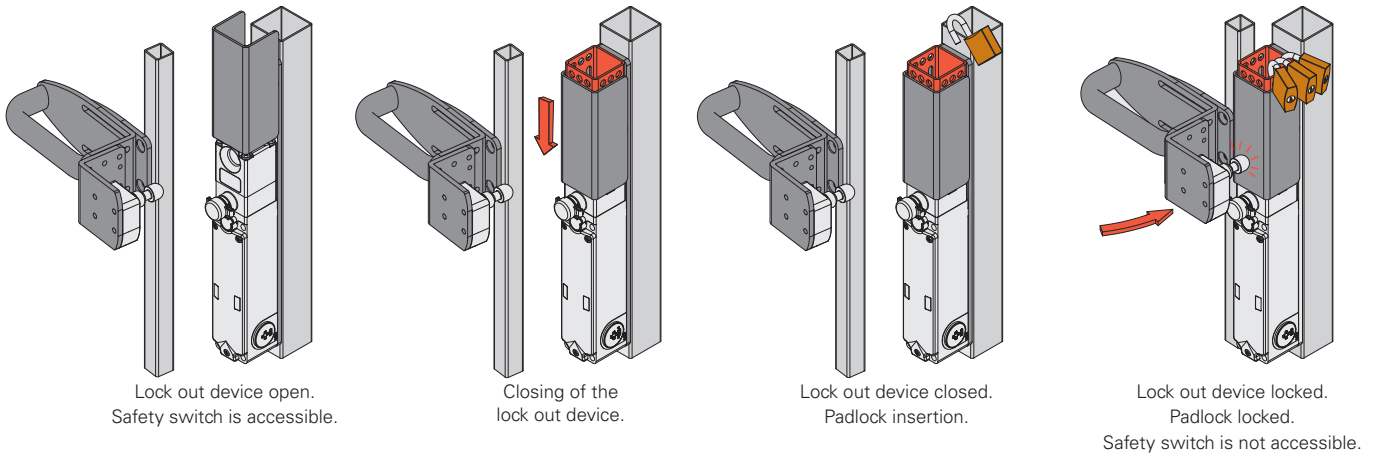
It can be installed both on hinged doors and sliding doors, either with right or left closing.

The handle is supplied with all of the components necessary for fastening at the appropriate distances with tamper-proof screws. The installer only has to assemble the components according to the application, fix the selected switch (supplied separately) and make centring adjustments.



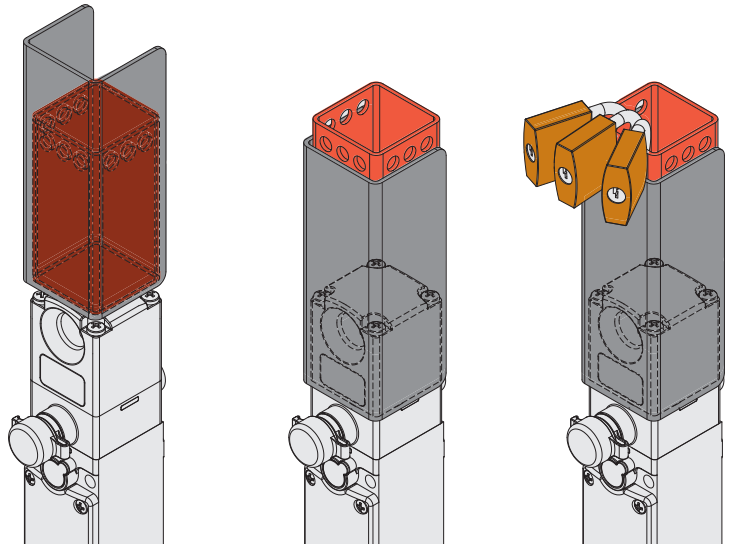
Padlocking option for protecting against errors

The lock out device is simply pushed downward to expose the holes for mounting padlocks. As a result, padlocks can no longer be mounted incorrectly, since the holes are not exposed until the switch is fully locked. 9 holes for padlocks with a diameter of 7 mm are present. The head of the switch can be quickly rotated in four different directions after loosening the fixing screws, while the lock out device reliably protects on 3 sides. The lock out device can thus be used on hinged and sliding doors – with both right and left closing – without any modification.



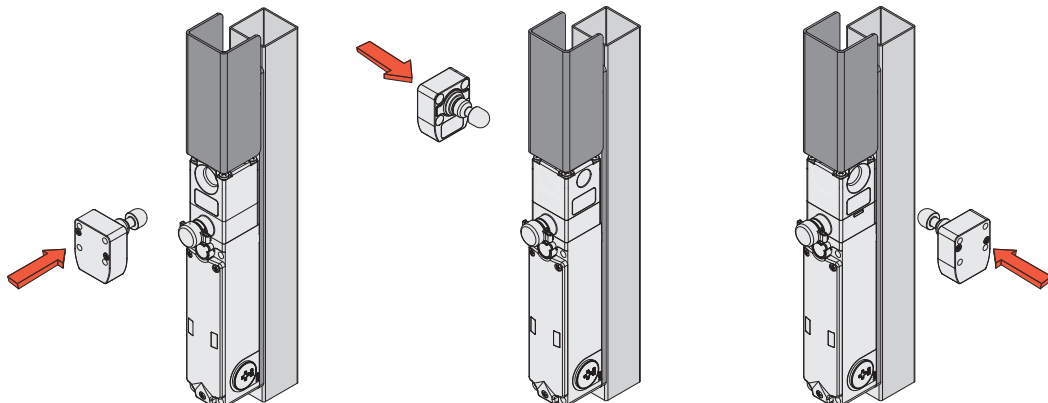
Lock out: maximum safety with just one movement

With a single operation, the lock out device can close the centring hole in the NG switch as well as shield the RFID recognition system for detecting the actuator. Accidental closing of the guard is thereby prevented by inhibiting both the mechanical locking of the door and the electrical switching of the switch contacts.



Head rotation

Because the lock out device covers the switch head in the 3 possible approach directions, it can be used on hinged and sliding doors – with both right and left closing – without any additional modification.



Code structure

Attention! The feasibility of a code number does not mean the effective availability of a product. Please contact our sales office.

AP G1A-111P

LOCK OUT device

1	with LOCK OUT device
0	Without LOCK OUT device

Grip

P	plastic grip
M	metal grip
Z	without grip

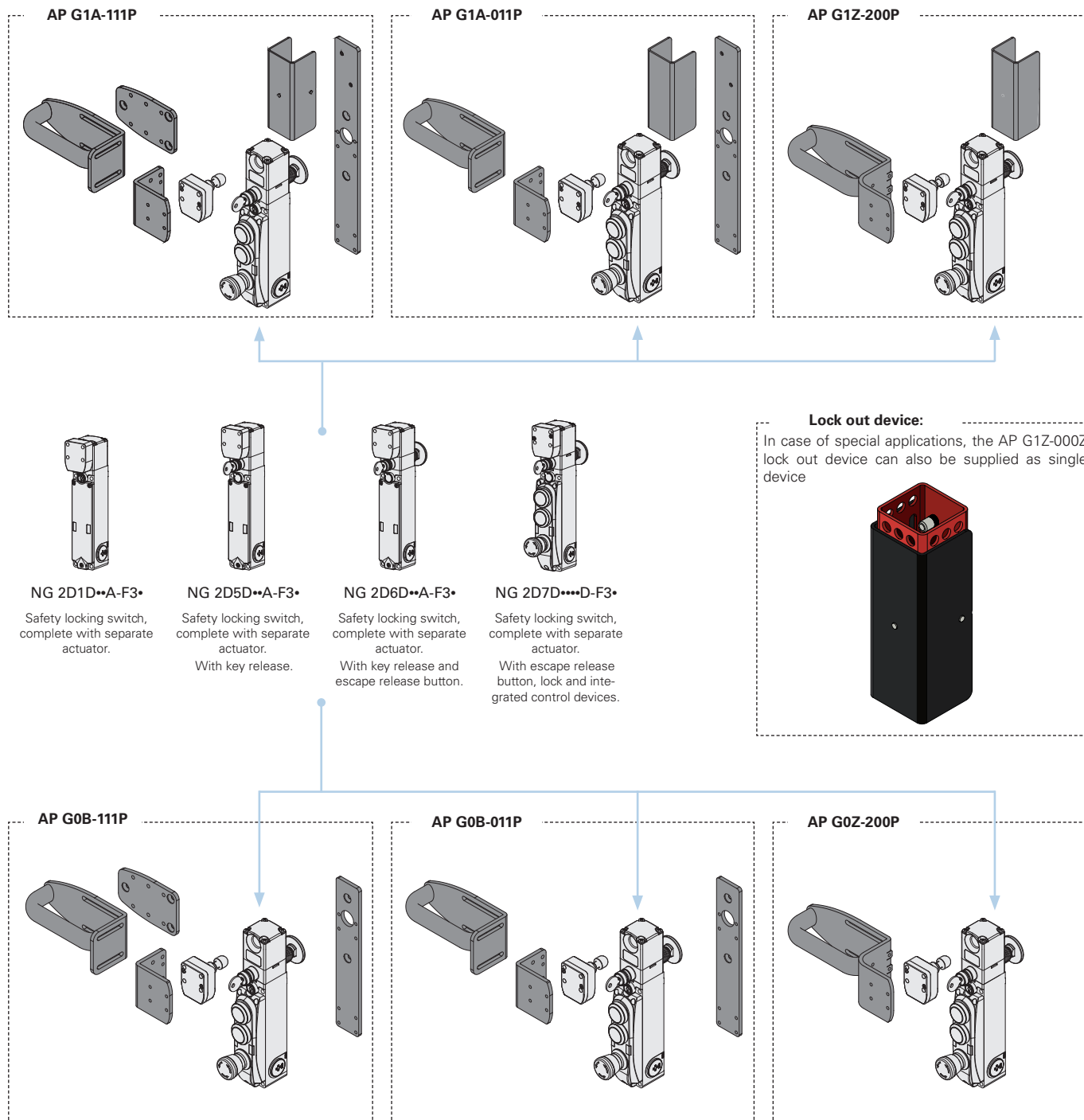
Fixing on frames

A	Long plate
B	Short plate
Z	Without plate

Plates for fastening the door handle

000	Without door fastening plate
111	3 plates with multiple fastening options
011	2 plates with multiple fastening options
200	Configuration with 1 fixed plate

Note: the handle is supplied with fastening screws for the grip, for the switch, and for bolting the plates together.

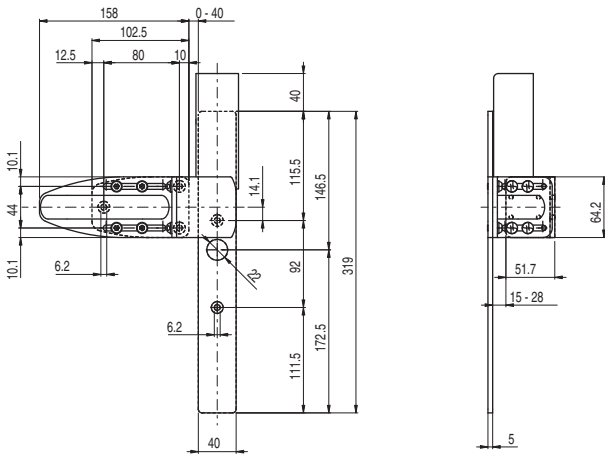


→ Sold separately as accessory

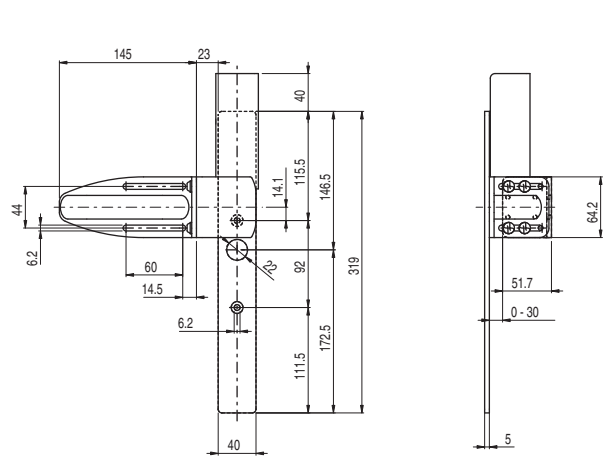
The NG series safety switch is also available in other versions. For further information see page 131.

Dimensional drawings

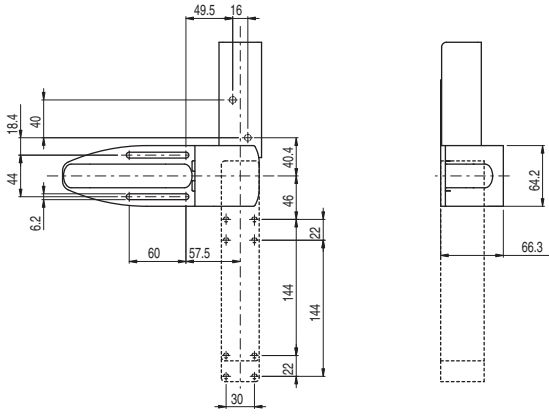
AP G1A-111 • safety handles



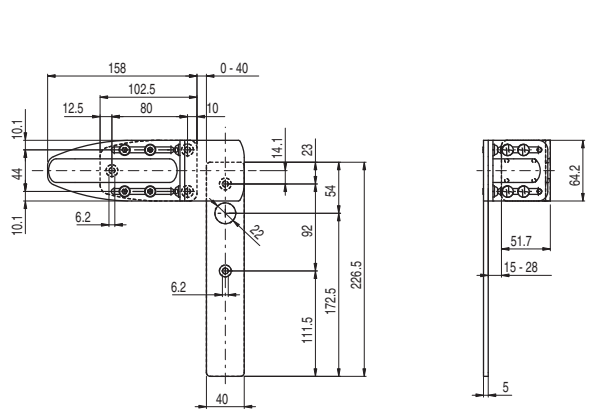
AP G1A-011 • safety handles



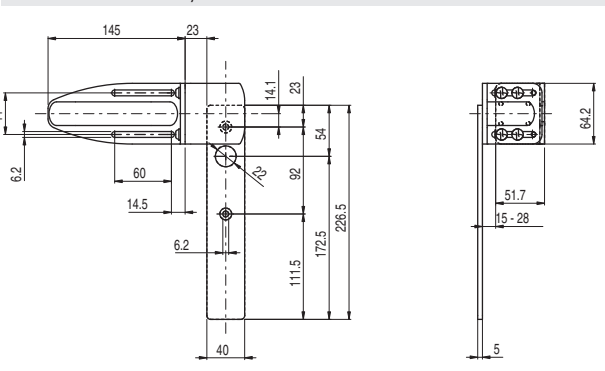
AP G1Z-200 • safety handles



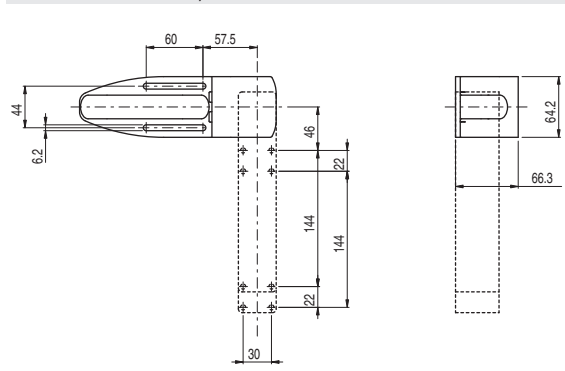
AP G0B-111 • safety handles



AP G0B-011 • safety handles



AP G0Z-200 • safety handles



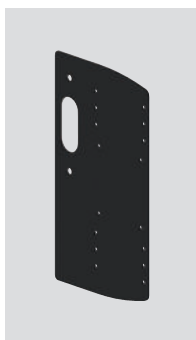
All values in the drawings are in mm

Accessories See page 321

→ The 2D and 3D files are available at www.pizzato.com

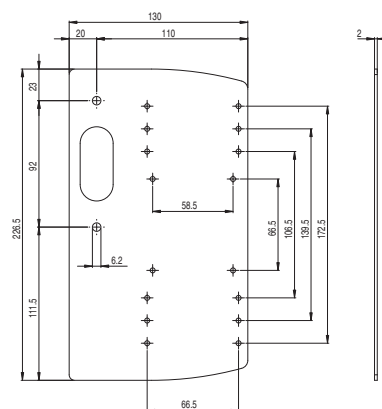
Accessories

Profiled plate



Profiled plate to be installed under the fixing plate of the switch. Suitable for both right and left mounting and provided with holes, this plate can be used for the installation of housings for the Pizzato Elettrica EROUND line panel buttons (by means of common self-threading screws available on the market).

Article	Description
AP A001	Profiled lateral plate



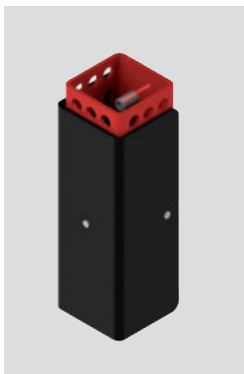
Adhesive labels for escape release button



Polycarbonate yellow adhesive, rectangular, 300 x 32 mm, red inscription. It has to be fixed on the internal part of the jamb and helps finding the escape release button.

Article	Description and language	
VF AP-A1AGR01	PREMERE PER USCIRE	ita
VF AP-A1AGR02	PUSH TO EXIT	eng
VF AP-A1AGR04	ZUM ÖFFNEN DRÜCKEN	deu
VF AP-A1AGR05	POUSSER POUR SORTIR	fra
VF AP-A1AGR06	PULSAR PARA SALIR	spa
VF AP-A1AGR07	НАЖАТЬ ДЛЯ ВЫХОДА	rus
VF AP-A1AGR08	NACISNAĆ ABY WYJŚĆ	pol
VF AP-A1AGR09	PRESSONAR PARA SAIR	por

Lock out device for NG series switches



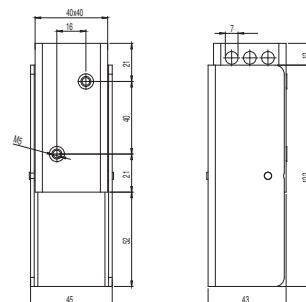
Lock out device made entirely of metal to be installed with NG series switches with solenoid and RFID technology.

To prevent unintentional guard closure, simply move the black slider down so that the actuator entry hole is fully covered.

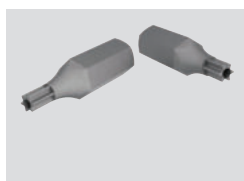
When the slider is lowered, a perforated plate emerges on the top of the device, allowing insertion of up to 9 padlocks.

The slider also serves as a shield for the RFID receiver antenna on the NG switch.

Article	Description
AP G1Z-000Z	Lock out device for NG series switches



Bits for safety screws

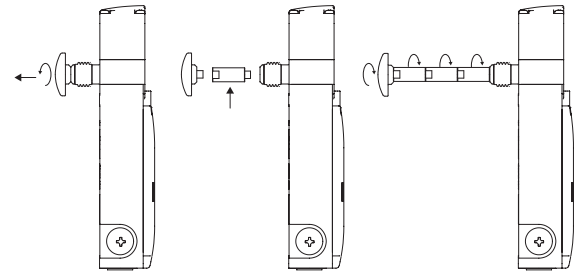


Bits for safety screws with pin, with 1/4" hexagonal connection.

Article	Description
VF VAIT1T25	Bits for M5 screws with Torx T25 fitting
VF VAIT1T30	Bits for M6 screws with Torx T30 fitting

Extensions for release button

Article	Description	Drawing
VN NG-LP30	Metal extension for release button. For max. wall thickness of 30 mm	
VN NG-LP40	Metal extension for release button. For max. wall thickness of 40 mm	
VN NG-LP50	Metal extension for release button. For max. wall thickness of 50 mm	
VN NG-LP60	Metal extension for release button. For max. wall thickness of 60 mm	
VN NG-ERB	Red metal release button	



- Metal extensions can be combined with one another to achieve the desired length.
- Do not exceed an overall length of 500 mm between the release button and the switch.
- Use medium-strength thread locker to secure the extensions.

Complete housings for profiled plate



ES AC32010

Description	Features	Diagram
Button - 1NO E2 1PU2R421L35 Contacts 1x E2 CF10G2V1	flush, spring-return, green pos. 2 pos. 3 pos. 1 / 1NO /	
Button - 1NC E2 1PU2S321L1 Contacts 1x E2 CF01G2V1	projecting, spring-return, red pos. 2 pos. 3 pos. 1 / 1NC ⊖ /	

ES AC32043

Description	Features	Diagram
Indicator light E2 1ILA210 LED unit E2 LF1A2V1	white White LED, 12 ... 30 Vac/dc	
Button - 1NO E2 1PU2R4210 Contacts 1x E2 CF10G2V1	flush, spring-return, green pos. 2 pos. 3 pos. 1 / 1NO /	

ES AC33076

Description	Features	Diagram
Illuminated button - 1NO E2 1PL2R2210 LED unit E2 LF1A2V1 Contacts 1x E2 CF10G2V1	flush, spring-return, white White LED, 12 ... 30 Vac/dc pos. 2 pos. 3 pos. 1 / LED 1NO	
Illuminated button - 1NO E2 1PL2R5210 LED unit E2 LF1A2V1 Contacts 1x E2 CF10G2V1	flush, spring-return, yellow White LED, 12 ... 30 Vac/dc pos. 2 pos. 3 pos. 1 / LED 1NO	
Emergency button Ø 40 mm- 2NC E2 1PERZ4531	rotary release, Ø 40 mm, red	
Label with shaped hole VE TF32G5700 Contacts 2x E2 CF01G2V1	yellow, 30x60 mm rectangular, no engraving pos. 2 pos. 3 pos. 1 1NC ⊖ / 1NC ⊖	